

# DS36C280

## Slew Rate Controlled CMOS EIA-RS-485 Transceiver

### General Description

The DS36C280 is a low power differential bus/line transceiver designed to meet the requirements of RS-485 Standard for multipoint data transmission. In addition, it is compatible with TIA/EIA-422-B.

The slew rate control feature allows the user to set the driver rise and fall times by using an external resistor. Controlled edge rates can reduce switching EMI.

The CMOS design offers significant power savings over its bipolar and ALS counterparts without sacrificing ruggedness against ESD damage. The device is ideal for use in battery powered or power conscious applications.  $I_{CC}$  is specified at 500  $\mu$ A maximum.

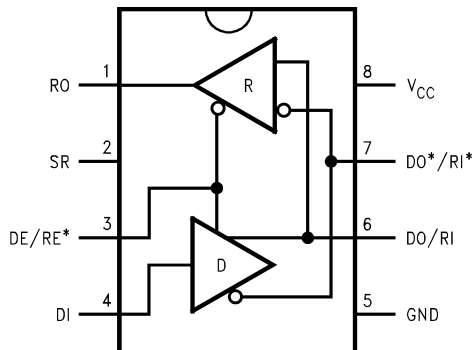
The driver and receiver outputs feature TRI-STATE® capability. The driver outputs operate over the entire common mode range of  $-7V$  to  $+12V$ . Bus contention or fault situations are handled by a thermal shutdown circuit, which forces the driver outputs into the high impedance state.

The receiver incorporates a fail safe circuit which guarantees a high output state when the inputs are left open (Note 1).

### Features

- 100% RS-485 compliant
  - Guaranteed RS-485 device interoperation
- Low power CMOS design:  $I_{CC}$  500  $\mu$ A max
- Adjustable slew rate control
  - Minimizes EMI affects
- Built-in power up/down glitch-free circuitry
  - Permits live transceiver insertion/displacement
- SOIC packages
- Industrial temperature range:  $-40^{\circ}C$  to  $+85^{\circ}C$
- On-board thermal shutdown circuitry
  - Prevents damage to the device in the event of excessive power dissipation
- Wide common mode range:  $-7V$  to  $+12V$
- Receiver open input fail-safe (Note 1)
- $1/4$  unit load (DS36C280):  $\geq 128$  nodes
- $1/2$  unit load (DS36C280T):  $\geq 64$  nodes
- ESD (human body model):  $\geq 2$  kV

### Connection and Logic Diagram



01205201

Order Number DS36C280M, DS36C280TM  
See NS Package Number M08A

### Truth Table

| DRIVER SECTION   |               |       |         |
|------------------|---------------|-------|---------|
| DE/RE*           | DI            | DO/RI | DO*/RI* |
| H                | H             | H     | L       |
| H                | L             | L     | H       |
| L                | X             | Z     | Z       |
| RECEIVER SECTION |               |       |         |
| DE/RE*           | RI-RI*        | RO    |         |
| L                | $\geq +0.2V$  | H     |         |
| L                | $\leq -0.2V$  | L     |         |
| H                | X             | Z     |         |
| L                | OPEN (Note 1) | H     |         |

Note 1: Non-terminated, Open Inputs only

**Absolute Maximum Ratings** (Note 2)

If Military/Aerospace specified devices are required, please contact the National Semiconductor Sales Office/Distributors for availability and specifications.

|   |                              |
|---|------------------------------|
| Supply Voltage ( $V_{CC}$ )               | +12V                         |
| Input Voltage (DE/RE*, & DI)              | -0.5V to ( $V_{CC} + 0.5V$ ) |
| Common Mode ( $V_{CM}$ )                  |                              |
| Driver Output/Receiver                    |                              |
| Input                                     | ±15V                         |
| Input Voltage (DO/RI, DO*/RI*)            | ±14V                         |
| Receiver Output Voltage                   | -0.5V to ( $V_{CC} + 0.5V$ ) |
| Maximum Package Power Dissipation @ +25°C |                              |
| M Package 1190 mW,                        |                              |
| derate                                    | 9.5 mW/°C above +25°C        |

|                           |                 |
|---------------------------|-----------------|
| Storage Temperature Range | -65°C to +150°C |
| Lead Temperature          | +260°C          |
| (Soldering 4 sec.)        |                 |

**Recommended Operating Conditions**

|  | Min   | Typ  | Max   | Units |
|--|-------|------|-------|-------|
| Supply Voltage ( $V_{CC}$ )              | +4.75 | +5.0 | +5.25 | V     |
| Bus Voltage                              | -7    |      | +12   | V     |
| Operating Free Air Temperature ( $T_A$ ) |       |      |       |       |
| DS36C280T                                | -40   | +25  | +85   | °C    |
| DS36C280                                 | 0     | +25  | +70   | °C    |

**Electrical Characteristics** (Notes 3, 4)

Over Supply Voltage and Operating Temperature ranges, unless otherwise specified

| Symbol                                     | Parameter                                       | Conditions   | Reference              | Min             | Typ    | Max  | Units      |    |
|--|---|--|------------------------|-----------------|--------|------|------------|----|
| <b>DIFFERENTIAL DRIVER CHARACTERISTICS</b> |   |  |                        |                 |        |      |            |    |
| $V_{OD1}$                                  | Differential Output Voltage                     | $I_O = 0$ mA (No Load)   | (422)<br>(485)         | 1.5             |        | 5.0  | V          |    |
| $V_{OD0}$                                  | Output Voltage                                  | $I_O = 0$ mA   |                        | 0               |        | 5.0  | V          |    |
| $V_{OD0^*}$                                | Output Voltage                                  | (Output to GND)  |                        | 0               |        | 5.0  | V          |    |
| $V_{OD2}$                                  | Differential Output Voltage (Termination Load)  | $R_L = 50\Omega$   | (422) <i>Figure 1</i>  | 2.0             | 2.8    |      | V          |    |
|  |   | $R_L = 27\Omega$   | (485)                  | 1.5             | 2.3    | 5.0  | V          |    |
| $\Delta V_{OD2}$                           | Balance of $V_{OD2}$<br>$ V_{OD2} - V_{OD2^*} $ | $R_L = 27\Omega$ or $50\Omega$   | (Note 5)<br>(422, 485) | -0.2            | 0.1    | +0.2 | V          |    |
| $V_{OD3}$                                  | Differential Output Voltage (Full Load)         | $R_1 = 54\Omega$ , $R_2 = 375\Omega$<br>$V_{TEST} = -7V$ to $+12V$                                 | <i>Figure 2</i>        | 1.5             | 2.0    | 5.0  | V          |    |
| $V_{OC}$                                   | Driver Common Mode Output Voltage               | $R_L = 27\Omega$   | (485) <i>Figure 1</i>  | 0               |        | 3.0  | V          |    |
|  |   | $R_L = 50\Omega$   | (422)                  | 0               |        | 3.0  | V          |    |
| $\Delta V_{OC}$                            | Balance of $V_{OC}$<br>$ V_{OC} - V_{OC^*} $    | $R_L = 27\Omega$ or<br>$R_L = 50\Omega$  | (Note 5)<br>(422, 485) | -0.2            |        | +0.2 | V          |    |
| $I_{OSD}$                                  | Driver Output Short-Circuit Current             | $V_O = +12V$   | (485) <i>Figure 4</i>  |                 | 200    | +250 | mA         |    |
|  |   | $V_O = -7V$  | (485)                  |                 | -190   | -250 | mA         |    |
| <b>RECEIVER CHARACTERISTICS</b>            |   |  |                        |                 |        |      |            |    |
| $V_{TH}$                                   | Differential Input High Threshold Voltage       | $V_O = V_{OH}$ , $I_O = -0.4$ mA<br>$-7V \leq V_{CM} \leq +12V$                                    | (Note 6)<br>(422, 485) |                 | +0.035 | +0.2 | V          |    |
| $V_{TL}$                                   | Differential Input Low Threshold Voltage        | $V_O = V_{OL}$ , $I_O = 0.4$ mA<br>$-7V \leq V_{CM} \leq +12V$                                     |                        | -0.2            | -0.035 |      | V          |    |
| $V_{HST}$                                  | Hysteresis                                      | $V_{CM} = 0V$  |                        |                 | 70     |      | mV         |    |
| $R_{IN}$                                   | Input Resistance                                | $-7V \leq V_{CM} \leq +12V$  | DS36C280T              | 24              | 68     |      | k $\Omega$ |    |
| $R_{IN}$                                   | Input Resistance                                | $-7V \leq V_{CM} \leq +12V$  | DS36C280               | 48              | 68     |      | k $\Omega$ |    |
| $I_{IN}$                                   | Line Input Current (Note 8)                     | Other Input = 0V<br>DE = $V_{IL}$ , RE* = $V_{IL}$<br>$V_{CC} = 4.75$ to $5.25$<br>or 0V           | DS36C280               | $V_{IN} = +12V$ | 0      | 0.19 | 0.25       | mA |
|  |   |  |                        | $V_{IN} = -7V$  | 0      | -0.1 | -0.2       | mA |
|  |   |  | DS36C280T              | $V_{IN} = +12V$ | 0      | 0.19 | 0.5        | mA |
|  |   |  |                        | $V_{IN} = -7V$  | 0      | -0.1 | -0.4       | mA |
| $I_{ING}$                                  | Line Input Current Glitch (Note 8)              | Other Input = 0V<br>DE = $V_{IL}$ , RE* = $V_{IL}$<br>$V_{CC} = +3.0V$<br>or 0V $T_A = 25^\circ C$ | DS36C280               | $V_{IN} = +12V$ | 0      | 0.19 | 0.25       | mA |
|  |   |  |                        | $V_{IN} = -7V$  | 0      | -0.1 | -0.2       | mA |
|  |   |  | DS36C280T              | $V_{IN} = +12V$ | 0      | 0.19 | 0.5        | mA |
|  |   |  |                        | $V_{IN} = -7V$  | 0      | -0.1 | -0.4       | mA |
| $I_B$                                      | Input Balance Test                              | RS = 500 $\Omega$  | (422) (Note 10)        |                 |        | ±400 | mV         |    |

**Electrical Characteristics** (Notes 3, 4) (Continued)

Over Supply Voltage and Operating Temperature ranges, unless otherwise specified

| Symbol                          | Parameter                 | Conditions   | Reference              | Min                  | Typ | Max      | Units         |               |
|---------------------------------|---------------------------|--|------------------------|----------------------|-----|----------|---------------|---------------|
| <b>RECEIVER CHARACTERISTICS</b> |                           |  |                        |                      |     |          |               |               |
| $V_{OH}$                        | High Level Output Voltage | $I_{OH} = -4 \text{ mA}$ , $V_{ID} = +0.2\text{V}$ | RO<br><i>Figure 11</i> | 3.5                  | 4.6 |          | V             |               |
| $V_{OL}$                        | Low Level Output Voltage  | $I_{OL} = +4 \text{ mA}$ , $V_{ID} = -0.2\text{V}$ |                        |                      | 0.3 | 0.5      |               | V             |
| $I_{OSR}$                       | Short Circuit Current     | $V_O = \text{GND}$                                 | RO                     | 7                    | 35  | 85       | mA            |               |
| $I_{OZR}$                       | TRI-STATE Leakage Current | $V_O = 0.4\text{V to } 2.4\text{V}$                |                        |                      |     | $\pm 1$  | $\mu\text{A}$ |               |
| <b>DEVICE CHARACTERISTICS</b>   |                           |  |                        |                      |     |          |               |               |
| $V_{IH}$                        | High Level Input Voltage  |  | DE/RE*,<br>DI          | 2.0                  |     | $V_{CC}$ | V             |               |
| $V_{IL}$                        | Low Level Input Voltage   |  |                        | GND                  |     | 0.8      |               | V             |
| $I_{IH}$                        | High Level Input Current  | $V_{IH} = V_{CC}$                                  |                        |                      |     | 2        |               | $\mu\text{A}$ |
| $I_{IL}$                        | Low Level Input Current   | $V_{CC} = 5.0\text{V}$                             |                        | $V_{IL} = 0\text{V}$ |     | -2       |               | $\mu\text{A}$ |
|                                 |                           | $V_{CC} = +3.0\text{V}$                            |                        |                      |     | -2       |               | $\mu\text{A}$ |
|                                 |                           | SR = 0V  | SR                     |                      |     | -1       | mA            |               |
| $I_{CCR}$                       | Power Supply Current      | Driver OFF, Receiver ON                            | $V_{CC}$               |                      | 200 | 500      | $\mu\text{A}$ |               |
| $I_{CCD}$                       | (No Load)                 | Driver ON, Receiver OFF                            |                        |                      | 200 | 500      | $\mu\text{A}$ |               |

**Switching Characteristics** (Notes 4, 9, 11)

Over Supply Voltage and Operating Temperature ranges, unless otherwise specified

| Symbol                          | Parameter                                    | Conditions                                | Reference                 | Min | Typ  | Max  | Units |
|---------------------------------|--|---|---------------------------|-----|------|------|-------|
| <b>DRIVER CHARACTERISTICS</b>   |  |   |                           |     |      |      |       |
| $t_{PHLD}$                      | Differential Propagation Delay High to Low   | $R_L = 54\Omega$ , $C_L = 100 \text{ pF}$ | <i>Figures 5, 6</i>       | 10  | 399  | 1000 | ns    |
| $t_{PLHD}$                      | Differential Propagation Delay Low to High   |   |                           | 10  | 400  | 1000 | ns    |
| $t_{SKD}$                       | Differential Skew<br>$ t_{PHLD} - t_{PLHD} $ |   |                           | 0   | 1    | 10   | ns    |
| $t_r$                           | Rise Time                                    | SR = Open                                 |                           |     | 2870 |      | ns    |
| $t_f$                           | Fall Time                                    |   |                           |     | 3070 |      | ns    |
| $t_r$                           | Rise Time                                    | SR = 100 k $\Omega$                       |                           |     | 1590 |      | ns    |
| $t_f$                           | Fall Time                                    |   |                           |     | 1640 |      | ns    |
| $t_r$                           | Rise Time                                    | SR = Short                                |                           | 100 | 337  | 1000 | ns    |
| $t_f$                           | Fall Time                                    |   |                           | 100 | 348  | 1000 | ns    |
| $t_{PHZ}$                       | Disable Time High to Z                       | $C_L = 15 \text{ pF}$                     | <i>Figures 7, 8</i>       |     | 1100 | 2000 | ns    |
| $t_{PLZ}$                       | Disable Time Low to Z                        |   | <i>Figures 9, 10</i>      |     | 500  | 800  | ns    |
| $t_{PZH}$                       | Enable Time Z to High                        | $C_L = 100 \text{ pF}$                    | <i>Figures 7, 8</i>       |     | 300  | 500  | ns    |
| $t_{PZL}$                       | Enable Time Z to Low                         |   | <i>Figures 9, 10</i>      |     | 300  | 500  | ns    |
| <b>RECEIVER CHARACTERISTICS</b> |  |   |                           |     |      |      |       |
| $t_{PHL}$                       | Propagation Delay High to Low                | $C_L = 15 \text{ pF}$                     | <i>Figures 12, 13</i>     | 30  | 210  | 400  | ns    |
| $t_{PLH}$                       | Propagation Delay Low to High                |   |                           | 30  | 190  | 400  | ns    |
| $t_{SK}$                        | Skew, $ t_{PHL} - t_{PLH} $                  |   |                           | 0   | 20   | 50   | ns    |
| $t_{PLZ}$                       | Output Disable Time                          | $C_L = 15 \text{ pF}$                     | <i>Figures 14, 15, 16</i> |     | 50   | 150  | ns    |
| $t_{PHZ}$                       |  |   |                           |     | 55   | 150  | ns    |
| $t_{PZL}$                       | Output Enable Time                           |   |                           |     | 40   | 150  | ns    |
| $t_{PZH}$                       |  |   |                           |     | 45   | 150  | ns    |

**Note 2:** "Absolute Maximum Ratings" are those values beyond which the safety of the device cannot be guaranteed. They are not meant to imply that the devices should be operated at these limits. The table of "Electrical Characteristics" specifies conditions of device operation.

## Switching Characteristics (Notes 4, 9, 11) (Continued)

**Note 3:** Current into device pins is defined as positive. Current out of device pins is defined as negative. All voltages are referenced to ground except  $V_{OD1}$  and  $V_{OD2}$ .

**Note 4:** All typicals are given for:  $V_{CC} = +5.0V$ ,  $T_A = +25^\circ C$ .

**Note 5:** Delta  $|V_{OD2}|$  and Delta  $|V_{OC}|$  are changes in magnitude of  $V_{OD2}$  and  $V_{OC}$ , respectively, that occur when input changes state.

**Note 6:** Threshold parameter limits specified as an algebraic value rather than by magnitude.

**Note 7:** Hysteresis defined as  $V_{HST} = V_{TH} - V_{TL}$ .

**Note 8:**  $I_{IN}$  includes the receiver input current and driver TRI-STATE leakage current.

**Note 9:**  $C_L$  includes probe and jig capacitance.

**Note 10:** For complete details of test, see RS-485.

**Note 11:** SR = GND for all Switching Characteristics unless otherwise specified.

## Parameter Measurement Information

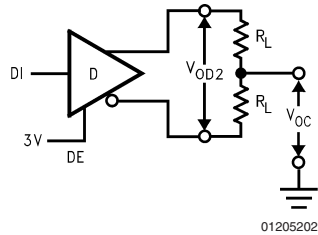


FIGURE 1. Driver  $V_{OD2}$  and  $V_{OC}$

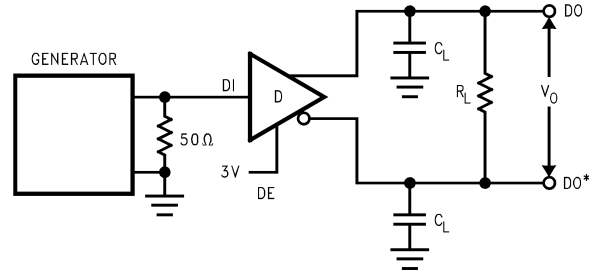


FIGURE 5. Driver Differential Propagation Delay Test Circuit

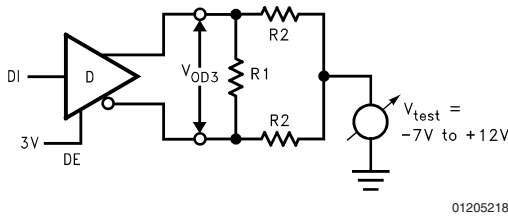


FIGURE 2. Driver  $V_{OD3}$

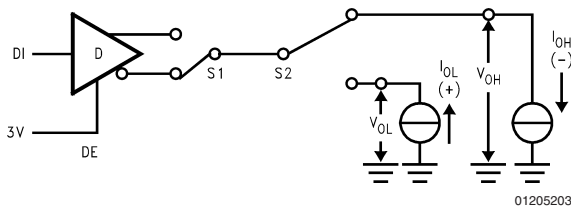
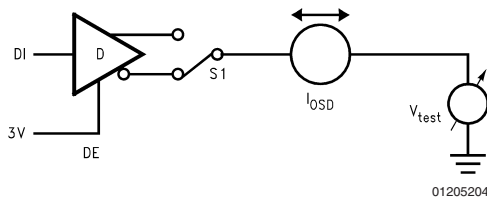


FIGURE 3. Driver  $V_{OH}$  and  $V_{OL}$



$V_{test} = -7V$  to  $+12V$

FIGURE 4. Driver  $I_{0SD}$

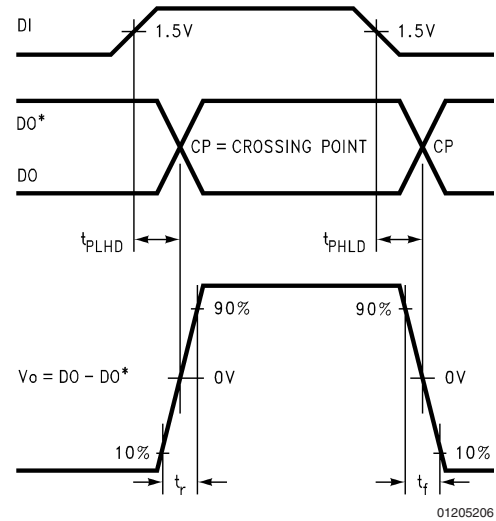
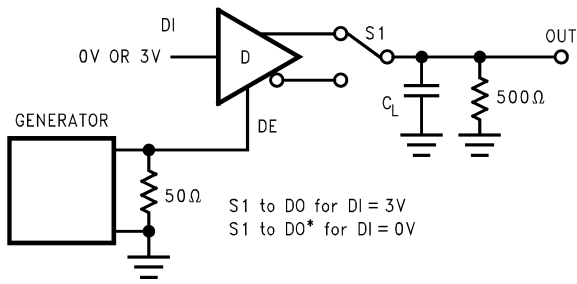


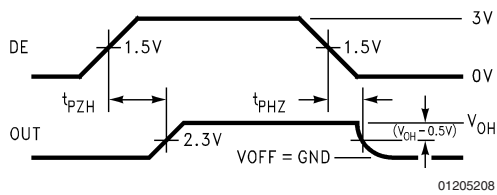
FIGURE 6. Driver Differential Propagation Delays and Differential Rise and Fall Times

# Parameter Measurement Information (Continued)



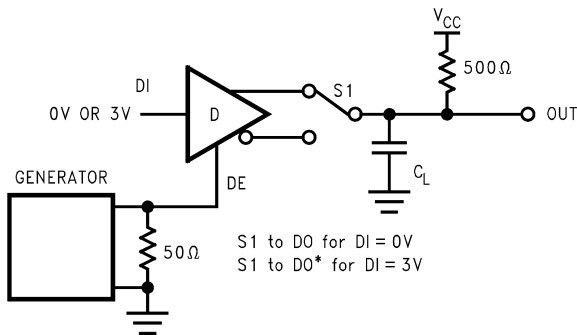
01205207

FIGURE 7. TRI-STATE Test Circuit ( $t_{PZH}$ ,  $t_{PHZ}$ )



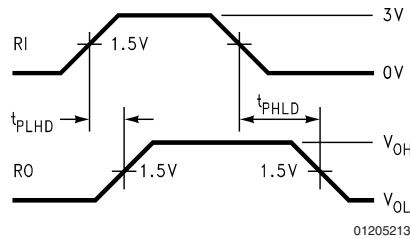
01205208

FIGURE 8. TRI-STATE Waveforms ( $t_{PZH}$ ,  $t_{PHZ}$ )



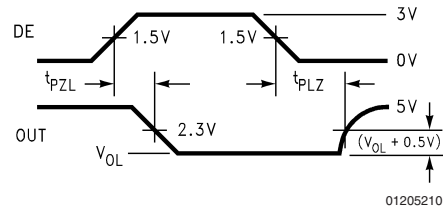
01205209

FIGURE 9. TRI-STATE Test Circuit ( $t_{PZL}$ ,  $t_{PLZ}$ )



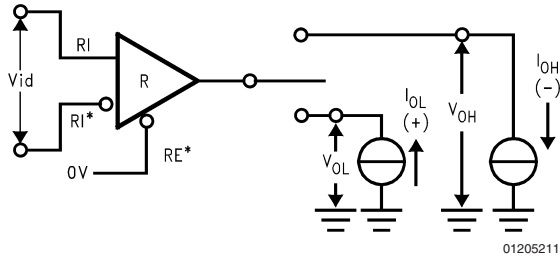
01205213

FIGURE 13. Receiver Differential Propagation Delay Waveforms



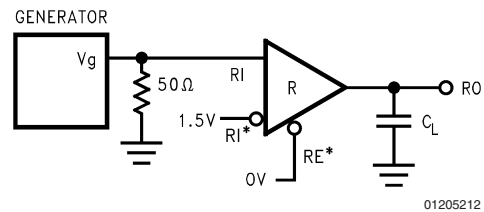
01205210

FIGURE 10. TRI-STATE Waveforms ( $t_{PZL}$ ,  $t_{PLZ}$ )



01205211

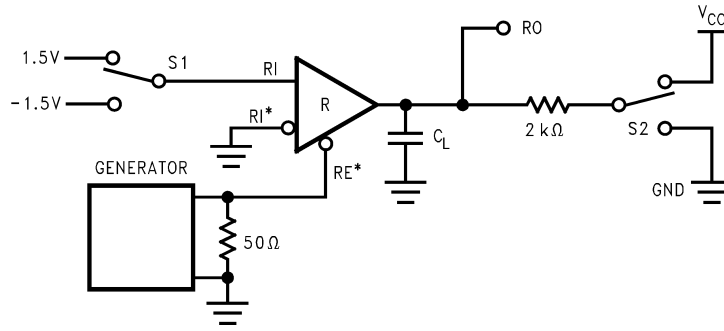
FIGURE 11. Receiver  $V_{OH}$  and  $V_{OL}$



01205212

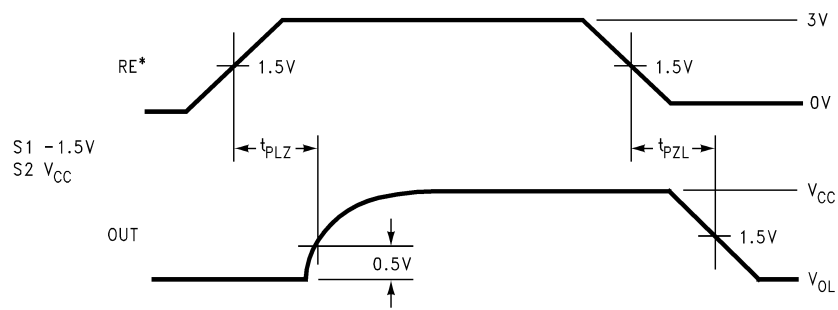
FIGURE 12. Receiver Differential Propagation Delay Test Circuit

Parameter Measurement Information (Continued)



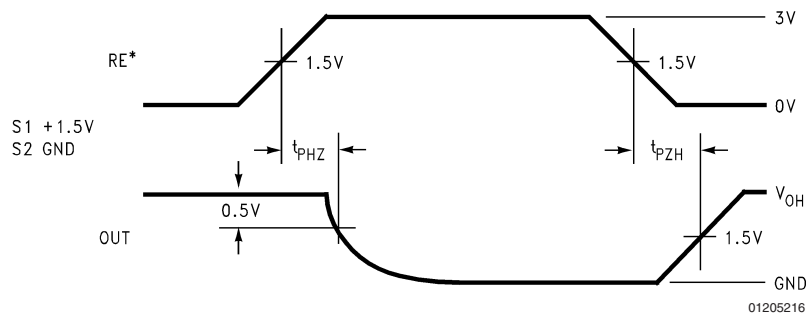
01205214

FIGURE 14. Receiver TRI-STATE Test Circuit



01205215

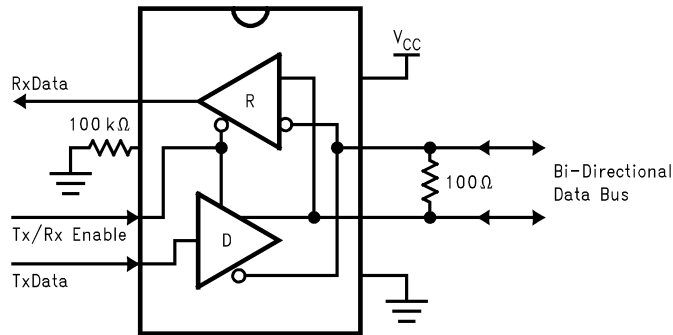
FIGURE 15. Receiver Enable and Disable Waveforms ( $t_{PLZ}$ ,  $t_{PZL}$ )



01205216

FIGURE 16. Receiver Enable and Disable Waveforms ( $t_{PHZ}$ ,  $t_{PZH}$ )

## Typical Application Information



01205217

FIGURE 17. Typical Pin Connection

TABLE 1. Device Pin Descriptions

| Pin # | Name            | Description  |
|-------|-----------------|--|
| 1     | RO              | Receiver Output: When DE/RE* (Receiver Enable) is LOW, the receiver is enabled (ON), if DO/RI $\geq$ DO*/RI* by 200 mV, RO will be HIGH. If DO/RI $\leq$ DO*/RI* by 200 mV, RO will be LOW. Additionally RO will be HIGH for OPEN (Non-terminated) inputs. |
| 2     | SR              | Slew Rate Control: A resistor connected to Ground controls the Driver Output rising and falling edge rates.  |
| 3     | DE/RE*          | Combined Driver and Receiver Output Enable: When signal is LOW the receiver output is enabled and the driver outputs are in TRI-STATE (OFF). When signal is HIGH, the receiver output is in TRI-STATE (OFF) and the driver outputs are enabled.            |
| 4     | DI              | Driver Input: When DE/RE* is HIGH, the driver is enabled, if DI is LOW, then DO/RI will be LOW and DO*/RI* will be HIGH. If DI is HIGH, then DO/RI is HIGH and DO*/RI* is LOW.   |
| 5     | GND             | Ground Connection  |
| 6     | DO/RI           | Driver Output/Receiver Input, 485 Bus Pin.   |
| 7     | DO*/RI*         | Driver Output/Receiver Input, 485 Bus Pin.   |
| 8     | V <sub>CC</sub> | Positive Power Supply Connection: Recommended operating range for V <sub>CC</sub> is +4.75V to +5.25V.   |

## Unit Load

A unit load for a RS-485 receiver is defined by the input current versus the input voltage curve. The gray shaded region is the defined operating range from  $-7V$  to  $+12V$ . The top border extending from  $-3V$  at  $0\text{ mA}$  to  $+12V$  at  $+1\text{ mA}$  is defined as one unit load. Likewise, the bottom border extending from  $+5V$  at  $0\text{ mA}$  to  $-7V$  at  $-0.8\text{ mA}$  is also defined as one unit load (see *Figure 18*). A RS-485 driver is capable of driving up to 32 unit loads. This allows upto 32 nodes on a single bus. Although sufficient for many applications, it is sometime desirable to have even more nodes. For example an aircraft that has 32 rows with 4 seats per row could benefit from having 128 nodes on one bus. This would allow signals to be transferred to and from each individual seat to 1 main station. Usually there is one or two less seats in the last row of the aircraft near the restrooms and food storage area. This frees the node for the main station.

The DS36C278, the DS36C279, and the DS36C280 all have  $\frac{1}{2}$  unit load and  $\frac{1}{4}$  unit load (UL) options available. These devices will allow upto 64 nodes or 128 nodes guaranteed over temperature depending upon which option is selected. The  $\frac{1}{2}$  UL option is available in industrial temperature and the  $\frac{1}{4}$  UL is available in commercial temperature.

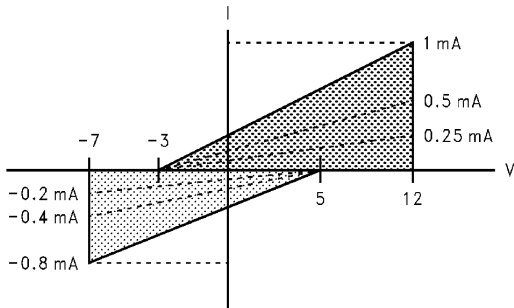
First, for a  $\frac{1}{2}$  UL device the top and bottom borders shown in *Figure 18* are scaled. Both  $0\text{ mA}$  reference points at  $+5V$  and

$-3V$  stay the same. The other reference points are  $+12V$  at  $+0.5\text{ mA}$  for the top border and  $-7V$  at  $-0.4\text{ mA}$  for the bottom border (see *Figure 18*). Second, for a  $\frac{1}{4}$  UL device the top and bottom borders shown in *Figure 18* are scaled also. Again, both  $0\text{ mA}$  reference points at  $+5V$  and  $-3V$  stay the same. The other reference points are  $+12V$  at  $+0.25\text{ mA}$  for the top border and  $-7V$  at  $-0.2\text{ mA}$  for the bottom border (see *Figure 18*).

The advantage of the  $\frac{1}{2}$  UL and  $\frac{1}{4}$  UL devices is the increased number of nodes on one bus. In a single master multi-slave type of application were the number of slaves exceeds 32, the DS36C278/279/280 may save in the cost of extra devices like repeaters, extra media like cable, and/or extra components like resistors.

The DS36C279 and DS36C280 have addition feature which offer more advantages. The DS36C279 has an automatic sleep mode function for power conscious applications. The DS36C280 has a slew rate control for EMI conscious applications. Refer to the sleep mode and slew rate control portion of the application information section in the corresponding datasheet for more information on these features.

## Unit Load (Continued)



01205219

**FIGURE 18. Input Current vs Input Voltage Operating Range**

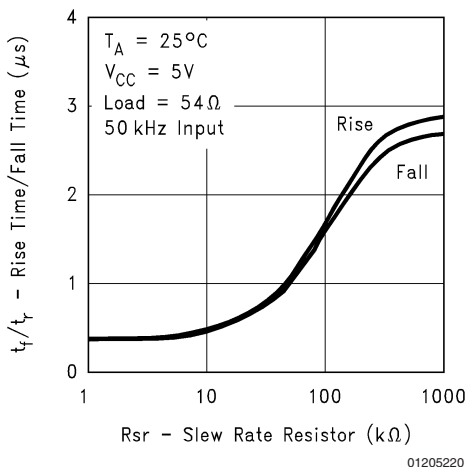
tion fixed edge rate devices. The slew rate control may be adjusted with or without any external components. The DS36C280 offers both low power ( $I_{CC}$  500  $\mu$ A max) and low EMI for an RS-485 interface.

The slew rate control is located at pin two of the device and only controls the driver output edges. The slew rate control pin (SR) may be left open or shorted to ground, with or without a resistor. When the SR pin is shorted to ground without a resistor, the driver output edges will transition typically 350 ns. When the SR pin is left open, the driver output edges will transition typically 3  $\mu$ s. When the SR pin is shorted to ground with a resistor, the driver output edges will transition between 350 ns and 3  $\mu$ s depending on the resistor value. Refer to the slew rate versus resistor value curve in this datasheet for determining resistor values and expected typical slew rate value. Please note, when slowing the edge rates of the device (see Figure 19) will decrease the maximum data rate also.

## Slew Rate Control

The DS36C280 features an adjustable slew rate control. This feature allows more control over EMI levels than tradi-

### Differential Rise/Fall Time vs Slew Rate Resistor

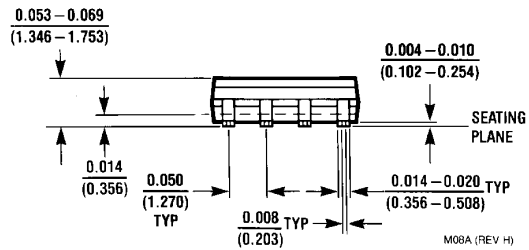
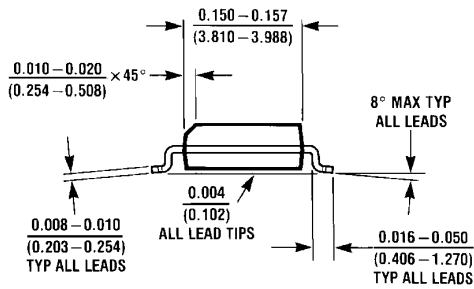
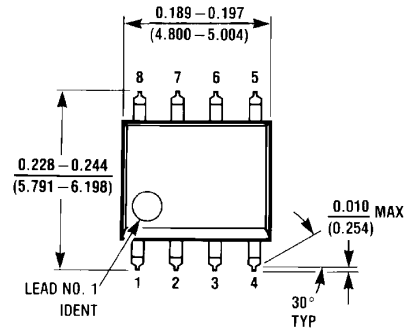


01205220

**FIGURE 19. Slew Rate Resistor vs Rise/Fall Time**



**Physical Dimensions** inches (millimeters) unless otherwise noted



**8-Lead (0.150" Wide) Molded Small Outline Package, JEDEC**  
**Order Number DS36C280M or DS36C280TM**  
**NS Package Number M08A**

National does not assume any responsibility for use of any circuitry described, no circuit patent licenses are implied and National reserves the right at any time without notice to change said circuitry and specifications.

For the most current product information visit us at [www.national.com](http://www.national.com).

**LIFE SUPPORT POLICY**

NATIONAL'S PRODUCTS ARE NOT AUTHORIZED FOR USE AS CRITICAL COMPONENTS IN LIFE SUPPORT DEVICES OR SYSTEMS WITHOUT THE EXPRESS WRITTEN APPROVAL OF THE PRESIDENT AND GENERAL COUNSEL OF NATIONAL SEMICONDUCTOR CORPORATION. As used herein:

1. Life support devices or systems are devices or systems which, (a) are intended for surgical implant into the body, or (b) support or sustain life, and whose failure to perform when properly used in accordance with instructions for use provided in the labeling, can be reasonably expected to result in a significant injury to the user.
2. A critical component is any component of a life support device or system whose failure to perform can be reasonably expected to cause the failure of the life support device or system, or to affect its safety or effectiveness.

**BANNED SUBSTANCE COMPLIANCE**

National Semiconductor certifies that the products and packing materials meet the provisions of the Customer Products Stewardship Specification (CSP-9-111C2) and the Banned Substances and Materials of Interest Specification (CSP-9-111S2) and contain no "Banned Substances" as defined in CSP-9-111S2.



**National Semiconductor**  
**Americas Customer**  
**Support Center**  
 Email: [new.feedback@nsc.com](mailto:new.feedback@nsc.com)  
 Tel: 1-800-272-9959

**National Semiconductor**  
**Europe Customer Support Center**  
 Fax: +49 (0) 180-530 85 86  
 Email: [europe.support@nsc.com](mailto:europe.support@nsc.com)  
 Deutsch Tel: +49 (0) 69 9508 6208  
 English Tel: +44 (0) 870 24 0 2171  
 Français Tel: +33 (0) 1 41 91 8790

**National Semiconductor**  
**Asia Pacific Customer**  
**Support Center**  
 Email: [ap.support@nsc.com](mailto:ap.support@nsc.com)

**National Semiconductor**  
**Japan Customer Support Center**  
 Fax: 81-3-5639-7507  
 Email: [jpn.feedback@nsc.com](mailto:jpn.feedback@nsc.com)  
 Tel: 81-3-5639-7560