



Series 800 Vertisockets™ Horizontal Mounting with Bifurcated Contacts

FEATURES:

- Aries offers a full line of Vertisockets™ for DIP packaging of LEDs, incandescent lamps, DIP switches, test points, etc. The variations of mounting position and pin configuration provide exceptional design freedom.
- Restricted entry for contact protection.
- Accepts standard LEDs and incandescent displays as well as .500 [12.70] and .600 [15.24] high large displays.

SPECIFICATIONS:

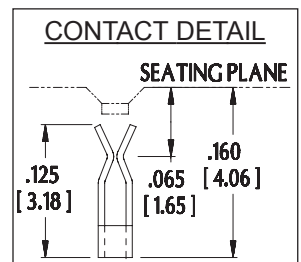
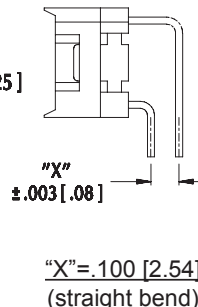
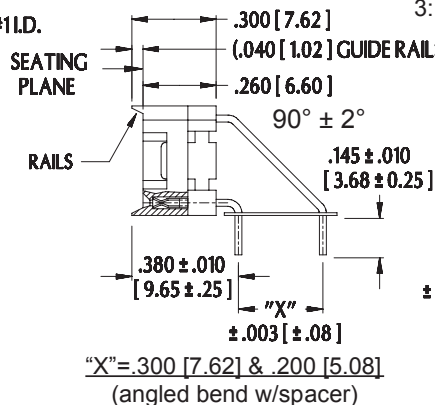
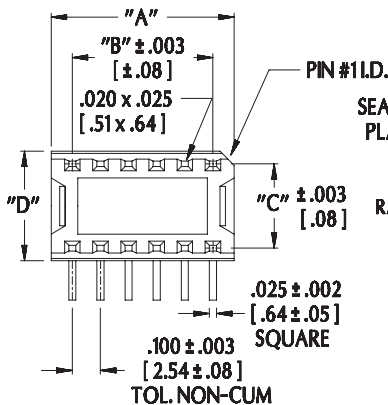
- Standard body material is black UL 94V-0 4/6 Nylon.
- Bifurcated contacts are Grade A spring-tempered Phosphor Bronze per QQ-B-750.
- Standard contact plating is 10µ [2.5µm] min. Gold per MIL-G-45204 over 50µ min. Nickel per QQ-N-290.
- Plating Options:
 - T= 200µ min Matte Tin per ASTM B545-97 over 50µ min. Nickel per QQ-N-290.
 - TL= 200µ min Bright 90/10 Tin/Lead per MIL-T-10727 Type 1 over 50µ min. Nickel per QQ-N-290.
- Spacer = Fishpaper.
- Contact current rating=1.5 Amps.
- Operating temperature=221 °F [105°C] Tin & Tin/Lead plating, =257°F [125°C] Gold plating.
- Insertion Force=110 grams/pin average; Withdrawal Force=75 grams/pin average.
- Accepts flat leads up to .014 [.36] thick and .020 [.51] wide; round leads up to .020 [.51] in diameter.
- Accepts lead lengths: .075-.160 [1.91-4.06].

MOUNTING CONSIDERATIONS:

- Suggested PCB hole size=.044 ± .002 [1.12 ± .05] dia.

"A"=(NO. OF PINS PER ROW X .100 [2.54]) + .050 [1.27]

"B"=(NO. OF PINS PER ROW - 1) X .100 [2.54]



All tolerances ± .005 [.13] unless otherwise specified

ORDERING INFORMATION

XX-X82X-90XXXX

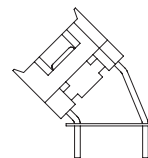
No. of pins (see table)
Series:
282: "C"=.200 [5.08]
82: "C"=.300 [7.62]
682: "C"=.600 [15.24]
0: "X"=.100 [2.54]
2: "X"=.200 [5.08]
3: "X"=.300 [7.62]

Optional suffix:
WR=Without rails
T=Tin plating
TL=Tin/Lead plating
No suffix=Gold plating

Display angle

Centers "C"	Dim "D"	Dim "X"	Available Sizes
.200 [5.08]	.290 [7.37]	.100 [2.54]	8, 10
		.200 [5.08]	
		.300 [7.62]	
.300 [7.62]	.390 [9.91]	.100 [2.54]	8, 14 thru 20
		.200 [5.08]	
		.300 [7.62]	
.600 [15.24]	.690 [17.53]	.100 [2.54]	8 thru 40, 48
		.200 [5.08]	
		.300 [7.62]	

ALL DIMENSIONS: INCHES [MILLIMETERS]



Consult factory for sizes not shown and other display angles

Consult Data Sheet No. 13002 for Vertical Mounting Vertisockets™ with bifurcated contacts.



http://www.arieselec.com • info@arieselec.com

Bristol, PA USA
TEL: (215) 781-9956
FAX: (215) 781-9845



13001
REV. E