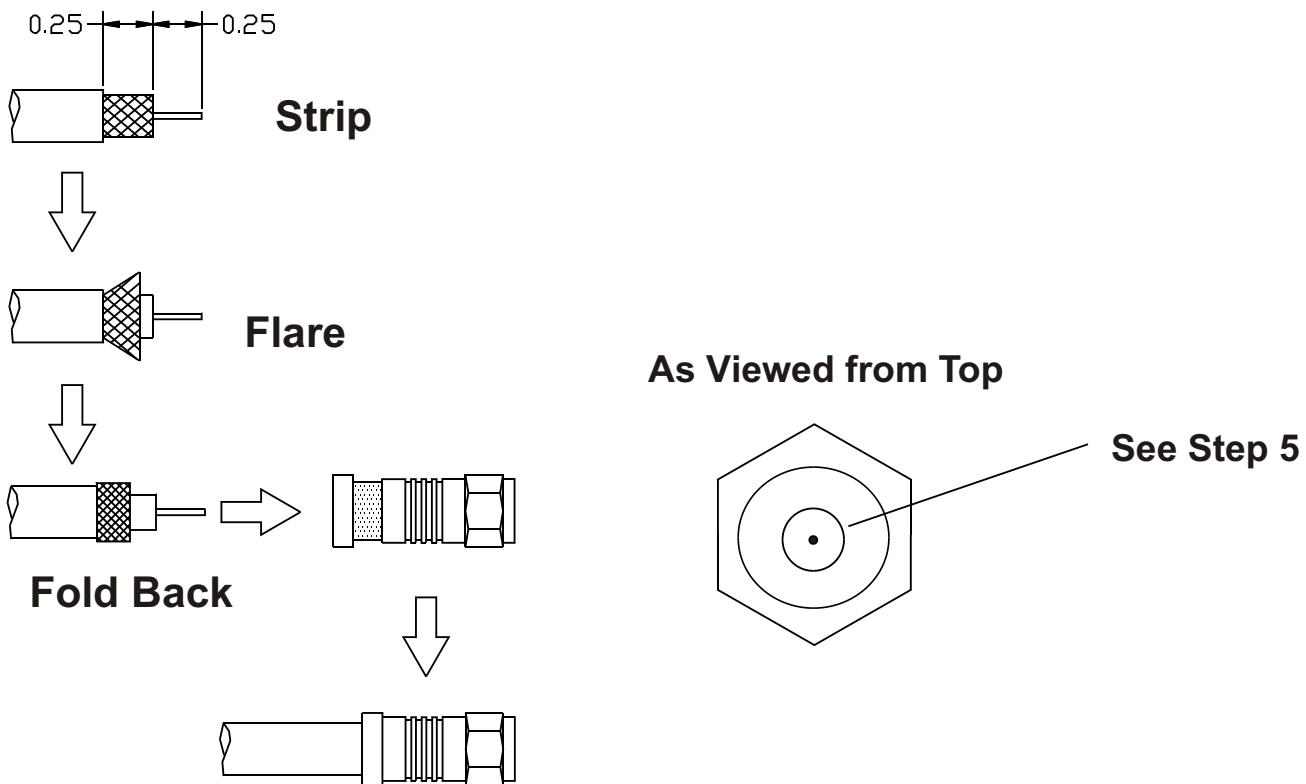


# Paladin Tools®

## SealTite Pro RG59, RG6, and RG6 Quad Assembly Instructions

**Note:** Paladin Tools SealTite Pro connectors are designed for use on PVC cable only. In some cases, the connectors may work on Plenum cable, but are not guaranteed to work due to small cable diameter. For standard RG59 connectors, do not use double-shielded RG59 cable. Failure to prepare the cables and assemble the connectors according to these instructions may result in connector failure.



### SealTite Waterproof Compression Connector Assembly:

1. Verify the cable type being used. Ensure the cable type matches the connector type.
2. Strip the cable as required to the dimensions shown for the appropriate cable type. Use 1257 LC CST or the 1241 CST stripper to strip 1/4" (0.25) off the jacket and 1/4" (0.25) off the center conductor. If the center conductor length is too long, cut down to 1/4" (0.25).
3. Flare shield using a Flaring Tool as shown. Recommend using the 1909 Flaring Tool for RG59, 1910 Flaring Tool for RG6/6Q, or the 1917 Flaring Tool for RG59, RG6, and RG6Q cable types.
4. Fold the shield back over the jacket.
5. Insert cable into connector. Be sure that the white dielectric internal insulator is inserted flush to the inside "hole" at the center of the connector tube. If the dielectric is not flush to the top surface of the hole (tube), then it will not properly secure onto the cable when crimped.
6. Crimp with 901024 or 1555 Compression Crimping Tool to finish termination.