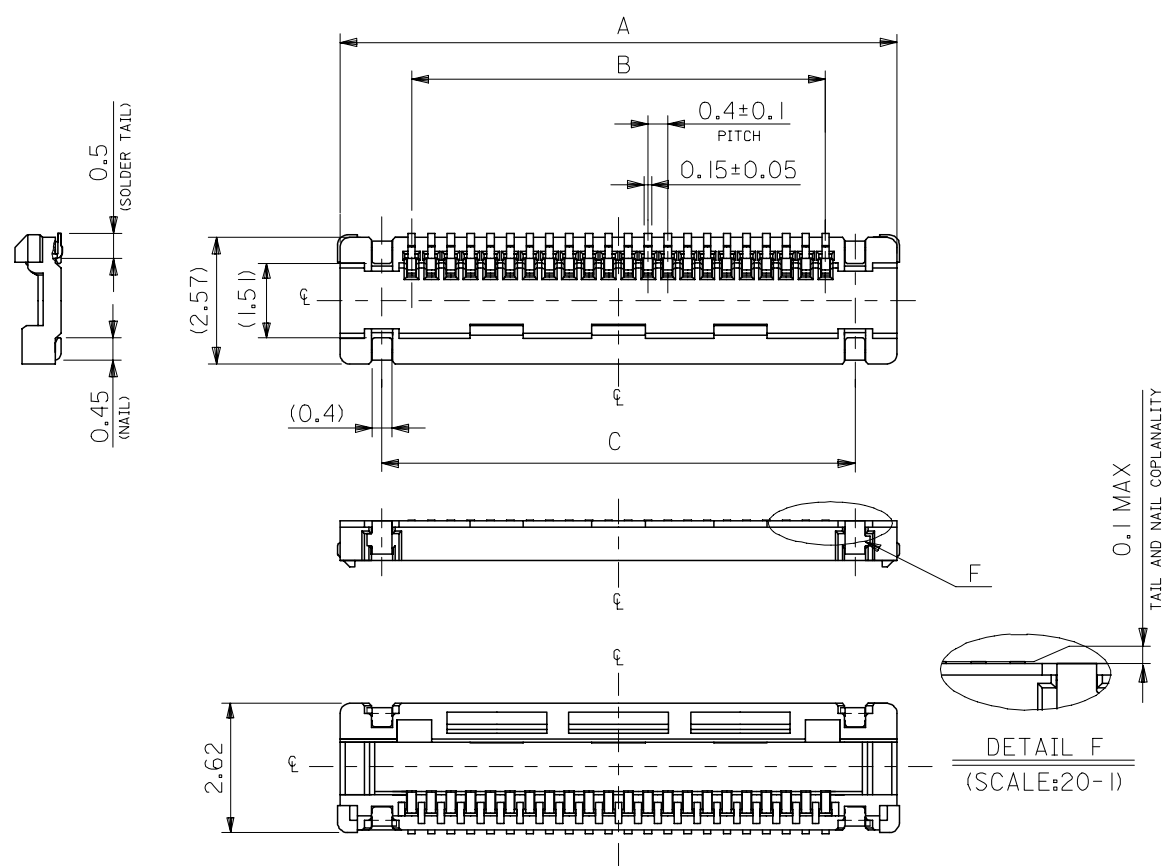


10 9 8 7 6 5 4 3 2 1

F
E
D
C
B
A



注記
NOTES

1. 材質
MATERIAL

- 1-1.ハウジング:液晶ポリマーUL94V-0
HOUSING:LIQUID CRYSTAL POLYMER (LCP)
- 1-2.ターミナル:銅合金
TERMINAL: COPPER ALLOY
- 1-3.ネール:銅合金
NAIL: COPPER ALLOY

2. メッキ仕様
PLATING

- 2-1.ターミナル
TERMINAL
 - 2-1-1. 接点部:金フラッシュ
CONTACT AREA:GOLD FLASH
 - 2-1-2. 半田付け部:金フラッシュ
SOLDER TAIL AREA :GOLD FLASH
 - 2-1-3. 下地メッキ:パラジウム-ニッケルメッキ 0.1µm MIN.
UNDER PLATING: PALLADIUM-NICKEL PLATING 0.1µm
- 2-2. ネール
NAIL
 - 2-2-1. 半田付け部:錫メッキ 1.5µm MIN.
NAIL:TIN PLATING 1.5µm
 - 2-2-2. 下地メッキ:ニッケルメッキ 1.0µm MIN.
UNDER PLATING:NICKEL PLATING 1.0µm

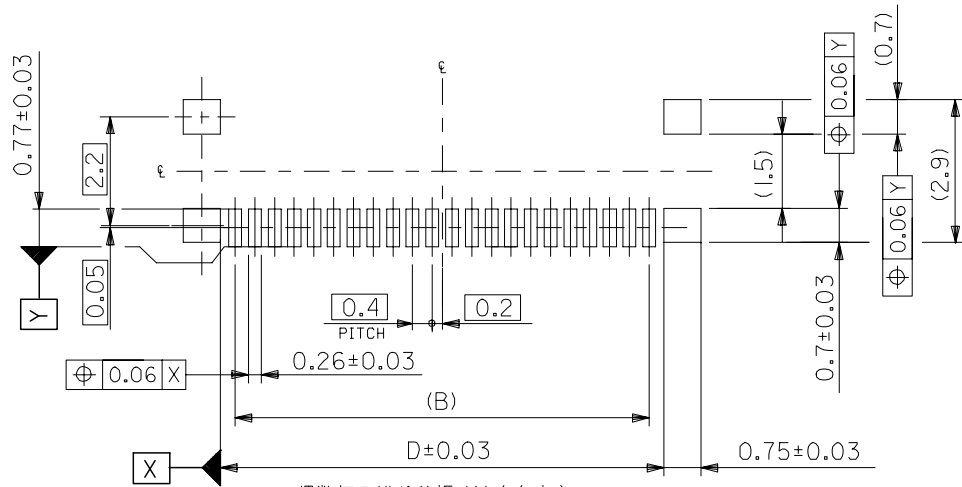
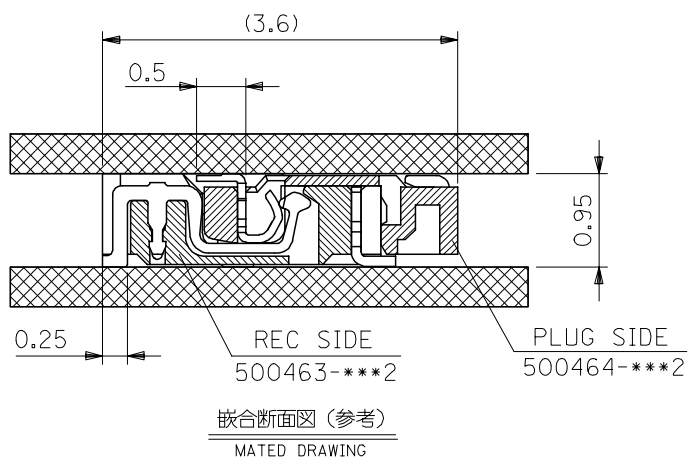
3. テール及びネールの平坦度は0.1以下
TAIL AND NAIL COPLANARITY:0.1MAX.

4 嵌合相手:500463 シリーズ。
MATE WITH:500463 SERIES.

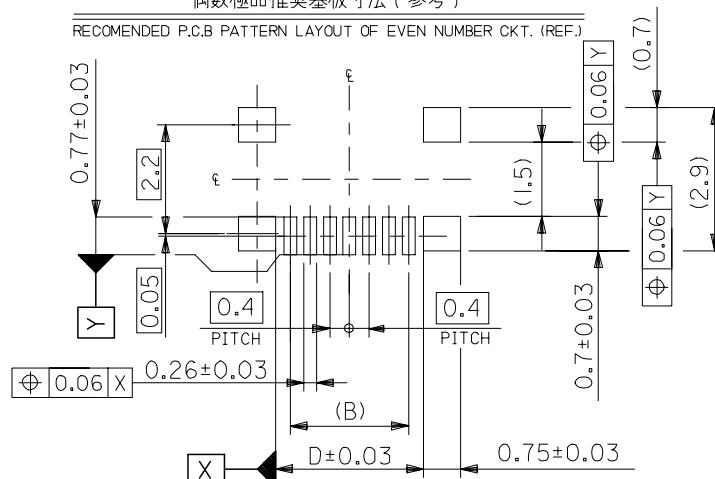
4. 本製品は 500464-***1 の鉛フリー品である。
THIS PRODUCT IS LEAD FREE OF 500464-***1.

9	9.6	8.4	11.3	500464-0222	22
6.6	7.2	6	8.9	500464-0162	16
3	3.6	2.4	5.3	500464-0072	7
D	C	B	A	MATERIAL NO.	CIRCUIT

REVISED EC NO: J2005-0089 DRAWN: NABEI 2004/07/07 CHKD: KTOJO 2004/07/07 APPR: NUKITA 2004/07/14	GENERAL TOLERANCES (UNLESS SPECIFIED)		DIMENSION STYLE MM ONLY		SCALE 1:1	DESIGN UNITS METRIC	500464-***2	MODEL NO.
	10 UNDER	±0.2	DRAWN BY MNINOMIY	DATE '04/02/19	TITLE 0.4 PITCH H=0.95 PLUG ASSY -LEAD FREE-			
	10 OVER 30 UNDER	±0.25	CHECKED BY KTOJO	DATE '04/02/19				
	30 OVER	±0.3	APPROVED BY MSASAO	DATE '04/02/19	MOLEX INCORPORATED			
ANGULAR	±3 °	MATERIAL NO. SEE CHART		DOCUMENT NO. SD-500464-009	SHEET NO. 1 OF 2			
DRAFT WHERE APPLICABLE MUST REMAIN WITHIN DIMENSIONS		THIS DRAWING CONTAINS INFORMATION THAT IS PROPRIETARY TO MOLEX INCORPORATED AND SHOULD NOT BE USED WITHOUT WRITTEN PERMISSION						

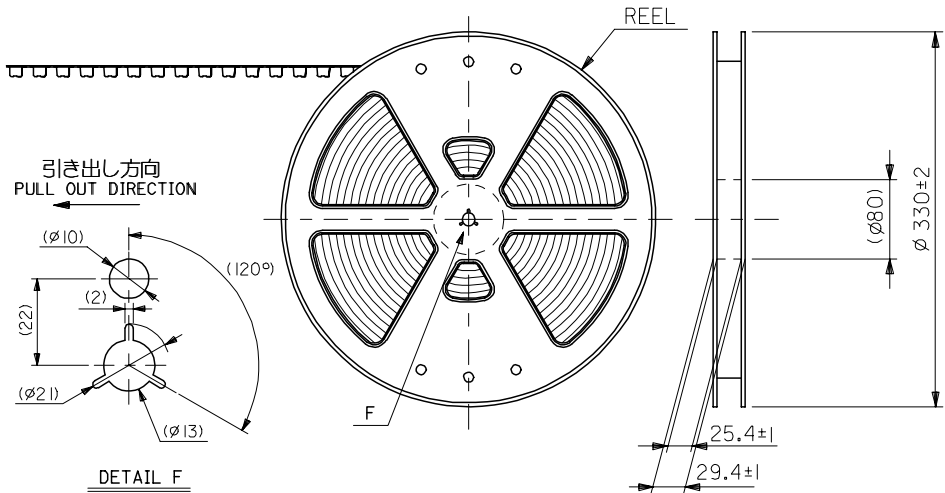


偶数极品推奖基板寸法 (参考)
RECOMMENDED P.C.B PATTERN LAYOUT OF EVEN NUMBER CKT. (REF.)

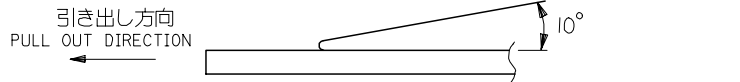


奇数极品推奖基板寸法 (参考)
RECOMMENDED P.C.B PATTERN LAYOUT OF ODD NUMBER CKT. (REF.)

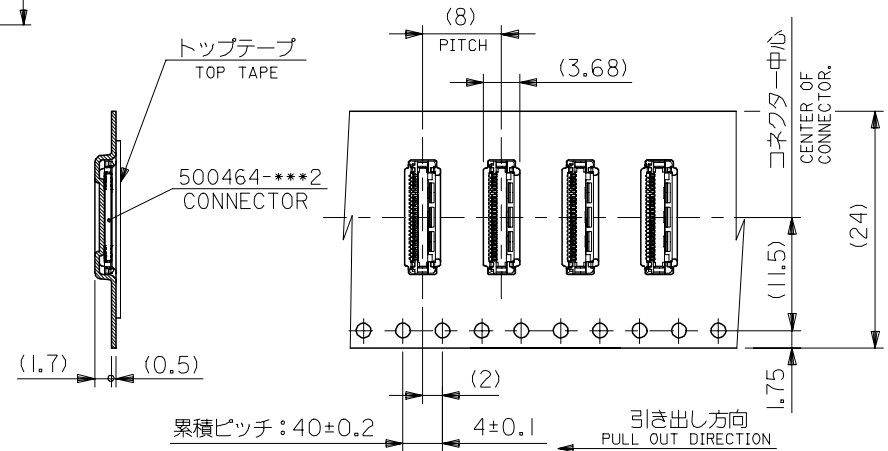
REVISED EC NO: J2005-0089 DRAWN: NABEI 2004/07/07 CHKD: KTOJO 2004/07/07 APPR: NUKITA 2004/07/14 DESCRIPTION REV A	GENERAL TOLERANCES (UNLESS SPECIFIED)		DIMENSION STYLE MM ONLY		SCALE ---	500464-***2	MODEL NO.
	10 UNDER	±0.2	DRAWN BY MNINOMIY		DATE '04/02/19	DESIGN UNITS METRIC	
	10 OVER 30 UNDER	±0.25	CHECKED BY KTOJO		DATE '04/02/19	THIRD ANGLE PROJECTION	
	30 OVER	±0.3	APPROVED BY MSASAO		DATE '04/02/19	0.4 PITCH H=0.95 PLUG ASSY -LEAD FREE-	
	ANGULAR	±3 °	MATERIAL NO. SEE CHART		DOCUMENT NO. SD-500464-009	MOLEX INCORPORATED	
DRAFT WHERE APPLICABLE MUST REMAIN WITHIN DIMENSIONS		SIZE A3		THIS DRAWING CONTAINS INFORMATION THAT IS PROPRIETARY TO MOLEX INCORPORATED AND SHOULD NOT BE USED WITHOUT WRITTEN PERMISSION			SHEET NO. 2 OF 2



4. トップテープの剥離強度: 0.1~1.3N {10~130gf}
 PEEL-OFF FORCE OF TOP TAPE: 0.1~1.3N {10~130gf}
 (剥離方向は下図参照)
 (PEELING DIRECTION AS SHOWN IN FOLLOWING FIG.)
 尚、本規格値は、出荷時に適用。
 (但し、輸送時に剥離が発生しない事。)

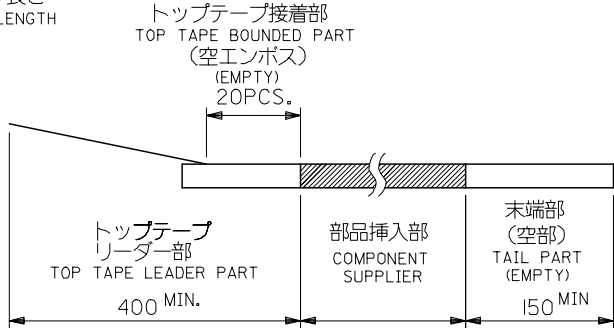


5. 材料
 MATERIAL
 キャリアテープ: ポリプロピレン (PP)
 CARRIER TAPE: POLYPROPYLENE (PP)
 トップテープ: PET, PE, PEF
 CARRIER TAPE: POLYPROPYLENE (PP)
 リール: ポリスチレン
 REEL: POLYSTYLENE



注記
 NOTES

- 製品番号 500464-***2 の詳細寸法については、SD-500464-009 を参照下さい。
 IN THE PACKAGE, PART NO.500464-***2 RE DETAILED DIMENSIONS, SEE SD-500464-009
- 梱包数量: 2500個/リール
 NUMBER OF CONNECTOR: 2500 PSC/REEL
- リードテープ長さ
 LEAD TAPE LENGTH



6. 本製品は 500464-***9 の鉛フリー品である。
 THIS PRODUCT IS LEAD FREE OF 500464-***9.

22	500464-0222	500464-0228
16	500464-0162	500464-0168
7	500464-0072	500464-0078
CKT.	CONNECTOR	MATERIAL No.

REVISED EC No: J2005-0089 DRAWN: MNABEI CHKD: KTOJO APPR: NUKITA 2004/07/07 2004/07/07 2004/07/14	GENERAL TOLERANCES (UNLESS SPECIFIED)		DIMENSION STYLE MM ONLY		SCALE ---	DESIGN UNITS METRIC	MODEL NO. 500464-***8	THIRD ANGLE PROJECTION
	10 UNDER	±0.2	DRAWN BY MNINOMIY	DATE '04/02/19	TITLE EMBOSSD TAPE PACKAGE FOR 500464-***2 -LEAD FREE-			
	10 OVER 30 UNDER	±0.25	CHECKED BY KTOJO	DATE '04/02/19	APPROVED BY MSASAO			
	30 OVER	±0.3	APPROVED BY MSASAO	DATE '04/02/19	MATERIAL NO. SEE CHART			
ANGULAR ±3 °		DRAFT WHERE APPLICABLE MUST REMAIN WITHIN DIMENSIONS		DOCUMENT NO. SD-500464-010		SHEET NO. 1 OF 1		
THIS DRAWING CONTAINS INFORMATION THAT IS PROPRIETARY TO MOLEX INCORPORATED AND SHOULD NOT BE USED WITHOUT WRITTEN PERMISSION								