

AC axial fan

Series 8000 N 80 x 80 x 38

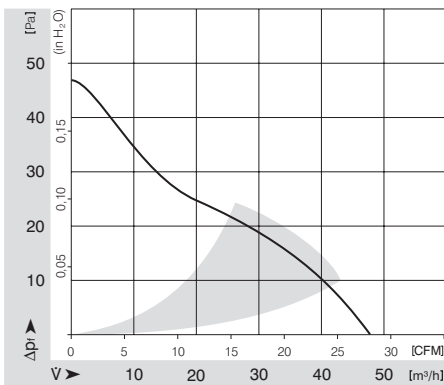


- **General description:** AC fan with external rotor shaded-pole motor
- **Impeller material:** Metal
- **Housing material:** Metal

Nominal data		Voltage	Frequency	Air flow	Speed	Power consumption	Sound level	Sound pressure level	Ambient temperature	L10 service life at 40 °C	L10 service life at max. temp.	Weight
Type	Motor	VAC	Hz	m³/h	1/min	W	Bel	dB(A)	°C	h	h	kg
8800 N	--	115	60	47	2500	11.0	4.3	28	-10 .. 70	55000	27500	0.490

Subject to modification

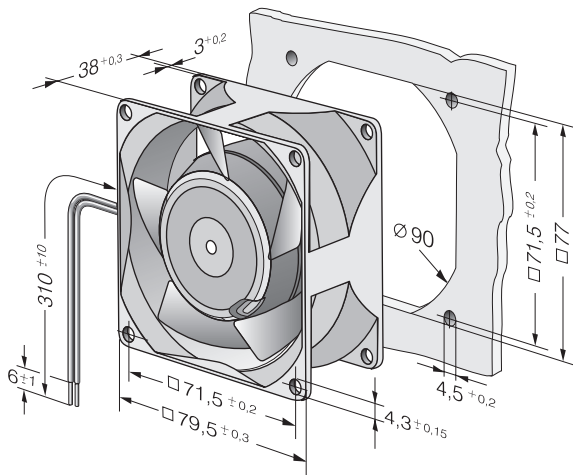
Characteristic: Pressure over air flow



AC axial fan

Series 8000 N 80 x 80 x 38

Specific drawing



Technical description

- **General description:** AC fan with external rotor shaded-pole motor
- **Housing material:** Metal
- **Direction of rotation:** Right, looking at rotor
- **Electrical connection:** 2 single strands AWG 28, TR 64
- **Approvals:** VDE, CSA, UL, CE
- **Impeller material:** Metal
- **Bearings:** Sintec sleeve bearing system
- **Direction of air flow:** Air exhaust over bars
- **Motor protection:** Protected from overload using impedance protection

Contact

ebm-papst St. Georgen GmbH & Co. KG
Hermann-Papst-Straße 1
D-78112 St. Georgen
Phone +49 (0) 7724 / 81-0
Fax +49 (0) 7724 / 81-1309
info2@de.ebmpapst.com
www.ebmpapst.com