

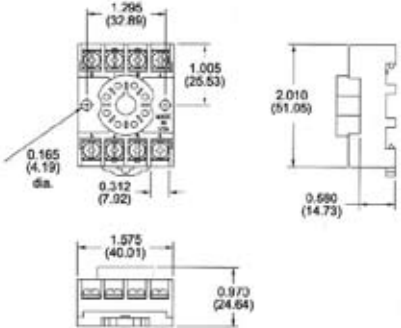


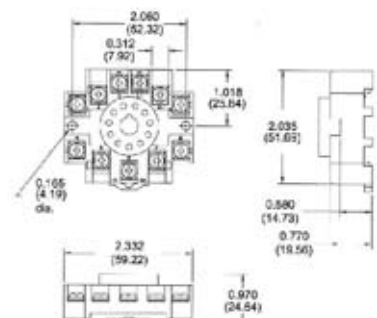


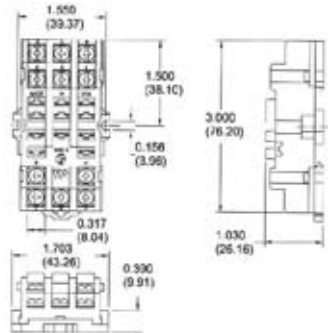

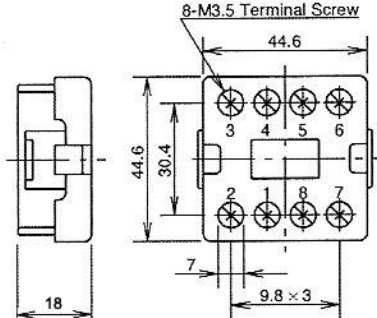

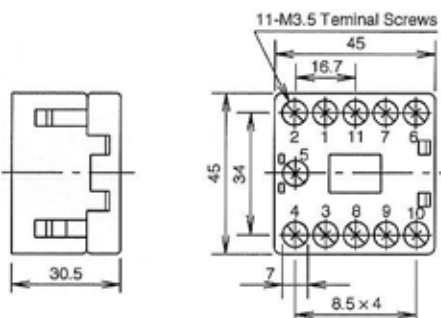


SOCKETS & ACCESSORIES

<p>8 Pin Octal Socket-- Surface or DIN Rail-Mounted</p> <p>10A @ 600V * 1 or 2 #12-22 AWG Wire Pressure Wire Clamp Terminations</p> 	<p>Product Number 70169-D</p> 	
<p>11 Pin Octal Socket-- Surface or DIN Rail-Mounted</p> <p>10A @ 300V 1 or 2 #12-22 AWG Wire Pressure Wire Clamp Terminations</p> 	<p>Product Number 70170-D</p> 	
<p>11 Pin Quick-Connect Socket-- Surface or DIN Rail-Mounted</p> <p>10A @ 300V 1 or 2 #12-22 AWG Wire Pressure Wire Clamp Terminations</p> 	<p>Product Number 70171-D</p> 	
<p>8 Pin Octal Socket-- Back-Mounted</p> <p>10A @ 300V Pressure Wire Clamp Terminations</p>	<p>Product Number SR6P-M08G</p> 	
<p>11 Pin Octal Socket-- Back-Mounted</p> <p>10A @ 300V Pressure Wire Clamp Terminations</p>	<p>Product Number SR6P-M11G</p> 	

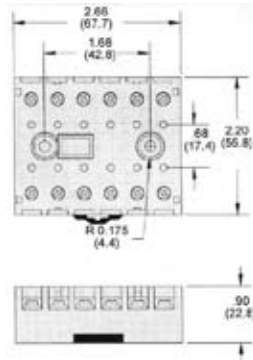
* Plug-in Three-Phase Monitor Relays require a 600V-rated socket when used on system voltages greater than 300V.

SOCKETS & ACCESSORIES

12 Pin Socket-- Surface or DIN Rail-Mounted

Product Number 27390D

10A @ 600V
#12-20 AWG Wire
Pressure Wire Clamp Terminations



Hold Down Spring Product Number 70166

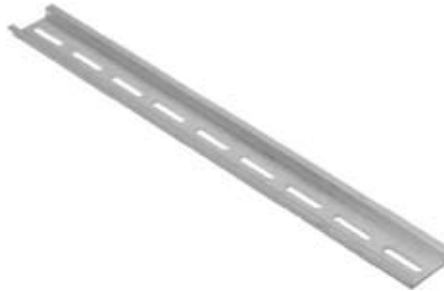
Can be used for:

- ◆ Panel-Mounted Sockets
- ◆ Sockets Mounted to 35mm DIN Track *

* Requires two machine screws with washers & nuts--
contact Macromatic for more information.



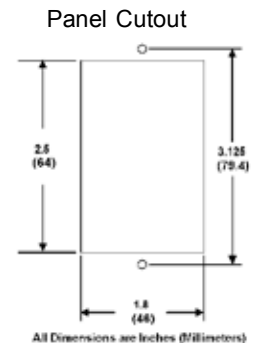
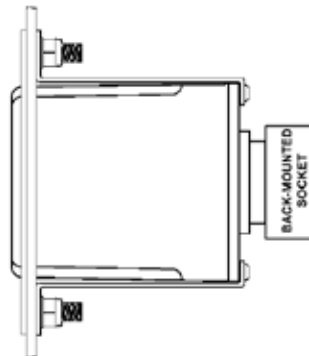
35mm DIN Mounting Track (1 Meter Section) Product Number 70100



Panel Mount Assembly For Panel Mounting Standard Plug-in Products Product Number 70400

This assembly provides a simple & economical method to mount plug-in products to the deadfront of an enclosure/panel:

- ◆ Sturdy aluminum construction
- ◆ Stainless steel studs
- ◆ All mounting hardware included
- ◆ White textured painted finish
- ◆ 2 3/16" W x 3 7/16" H



(Relay Not Included with Assembly--
Shown for Reference Only)