



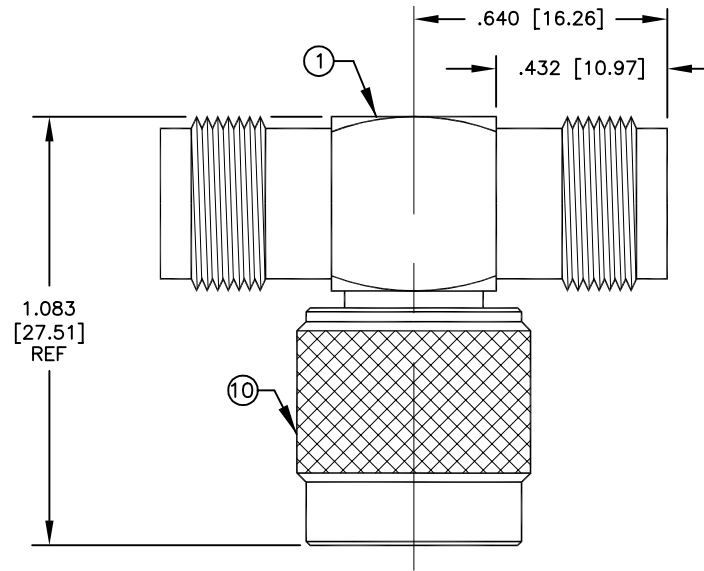
ALL RIGHTS RESERVED. NO PORTION OF THIS PUBLICATION, WHETHER IN WHOLE OR IN PART CAN BE REPRODUCED WITHOUT THE EXPRESS WRITTEN CONSENT OF SPC TECHNOLOGY.

SPC-F005.DWG

REVISIONS

DOC. NO. SPC-F005 \* Effective: 7/8/02 \* DCP No: 1398

DCP #	REV	DESCRIPTION	DRAWN	DATE	CHECKD	DATE	APPRVD	DATE
809	A	RELEASED	JWM	8/7/02	JC	8/12/02	DJC	8/12/02



10	SHELL	1	BRASS	NICKEL
9	RETAINING RING	1	BRASS	NONE
8	GASKET	1	S.I. RUBBER	RED
7	PRESS FIT WASHER	1	BRASS	NICKEL
6	DIELECTRIC	1	TEFLON	NONE
5	DIELECTRIC	2	TEFLON	NONE
4	PIN	1	BRASS	GOLD
3	CONTACT	1	BRASS	GOLD
2	PRESS FIT BODY	1	BRASS	NICKEL
1	BODY	1	BRASS	NICKEL
ITEM	DESCRIPTION	QTY	MATERIAL	FINISH

SPECIFICATIONS:

IMPEDANCE: 50 OHMS  
 WORKING VOLTAGE: 500 VRMS @ SEA LEVEL  
 FREQUENCY RANGE: 0-7 GHz  
 INTERFACE PER MIL-STD-348A, SECTION 313.1 & 313.2

DISCLAIMER:  
 ALL STATEMENTS AND TECHNICAL INFORMATION CONTAINED HEREIN ARE BASED UPON INFORMATION AND/OR TESTS WE BELIEVE TO BE ACCURATE AND RELIABLE. SINCE CONDITIONS OF USE ARE BEYOND OUR CONTROL, THE USER SHALL DETERMINE THE SUITABILITY OF THE PRODUCT FOR THE INTENDED USE AND ASSUME ALL RISK AND LIABILITY WHATSOEVER IN CONNECTION THEREWITH.

TOLERANCES:  
 UNLESS OTHERWISE SPECIFIED, DIMENSIONS ARE FOR REFERENCE PURPOSES ONLY.

DRAWN BY:	DATE:
Jeff McVicker	12/30/98
CHECKED BY:	DATE:
John Cole	8/12/02
APPROVED BY:	DATE:
Daniel Carey	8/12/02

DRAWING TITLE: TNC "T" Adapter, Female-Female-Male			
SIZE A	DWG. NO. SPC4259	ELECTRONIC FILE 84N1248.dwg	REV A
SCALE: NTS	U.O.M.: INCHES [mm]	SHEET: 1 OF 1	