

MATERIALS AND FINISHES

BODY, PRESS RING: BRASS  
PLATED NICKEL

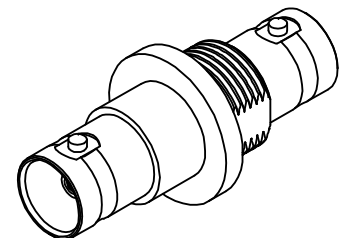
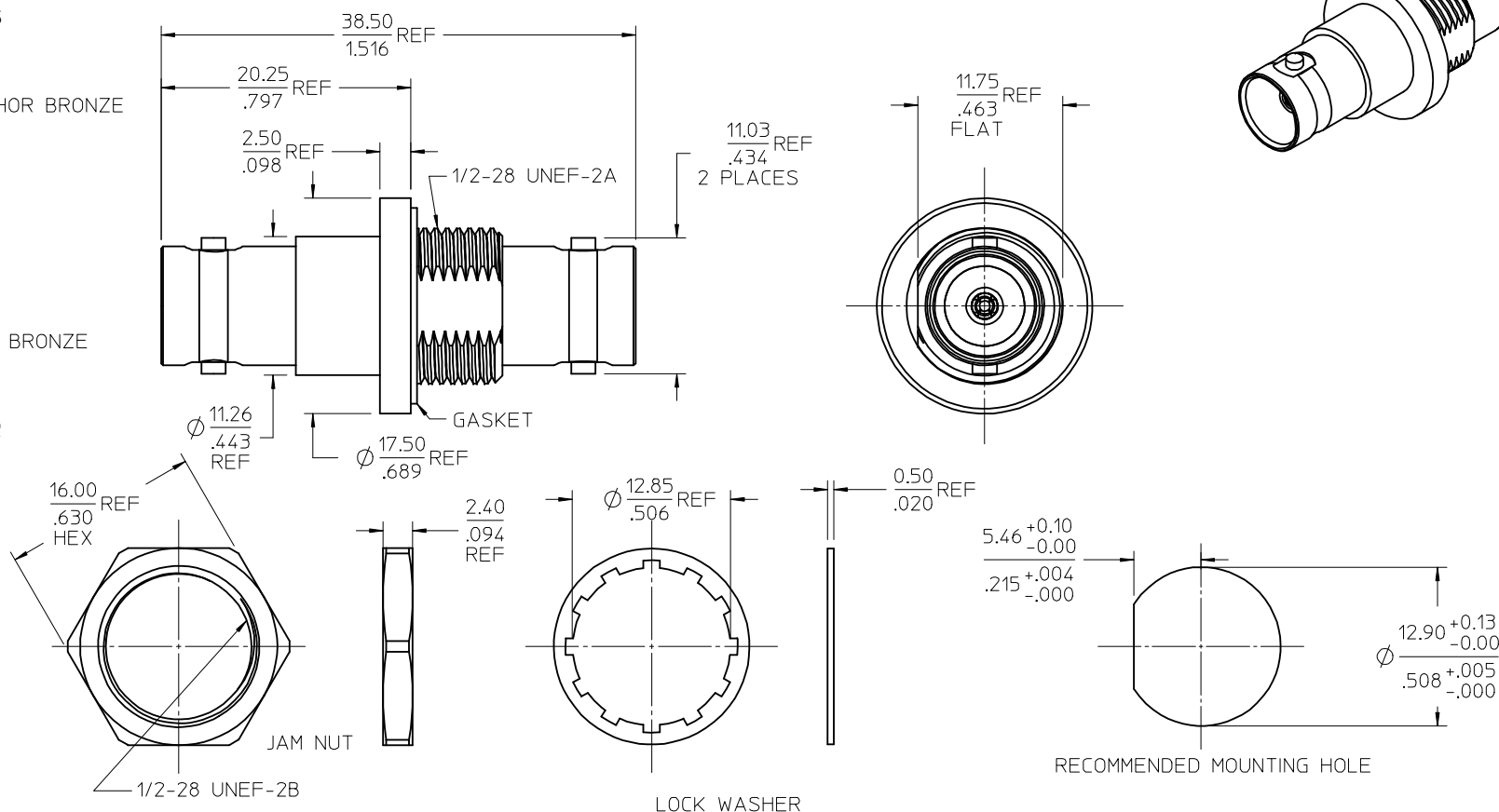
CENTER CONTACT: PHOSPHOR BRONZE  
PLATED GOLD

INSULATOR: TEFLON

JAM NUT: BRASS  
PLATED NICKEL

LOCK WASHER: PHOSPHOR BRONZE  
PLATED NICKEL

GASKET: SILICONE RUBBER



PS-89675-1020	PRODUCT SPEC
SPECIFICATION	DESCRIPTION

73412-0032	ONE PER BAG
73412-0030	BULK
PART NO.	PACKAGING

RoHS COMPLIANT

CHG: UPDATED TO NEW DESIGN EC NO: URF2009-01E4 DRWN: JLEE02 CHKD: SSS APPR: JWENER	QUALITY SYMBOLS ▽=0 ▽=0	GENERAL TOLERANCES (UNLESS SPECIFIED)		DIMENSION STYLE MM/IN	SCALE DESIGN UNITS METRIC	THIRD ANGLE PROJECTION
		4 PLACES ± --- ± --- 3 PLACES ± --- ± --- 2 PLACES ± --- ± --- 1 PLACE ± --- ± ---	mm INCH	DRAWN BY LYNN LIN	DATE 2002/02/01	
DRAFT WHERE APPLICABLE MUST REMAIN WITHIN DIMENSIONS		ANGULAR ± 2 °		APPROVED BY DATE	MOLEX INCORPORATED	SHEET NO. 1 OF 1
MATERIAL NO. SEE TABLE				DOCUMENT NO. SD-73412-003		THIS DRAWING CONTAINS INFORMATION THAT IS PROPRIETARY TO MOLEX INCORPORATED AND SHOULD NOT BE USED WITHOUT WRITTEN PERMISSION