

520-238



Tel: (0732) 361335 Fax: (0732) 770540

MOULDED ELECTRONIC COMPONENTS (INTERNATIONAL) LTD

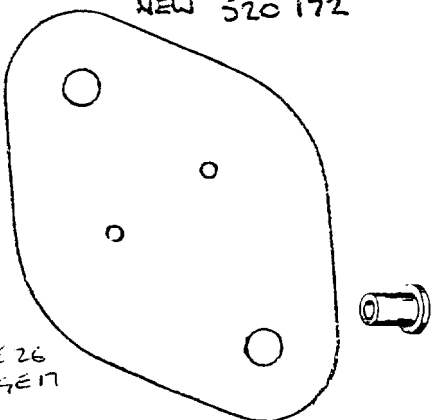
OLD

170012

NEW 520172

Insulating Kit

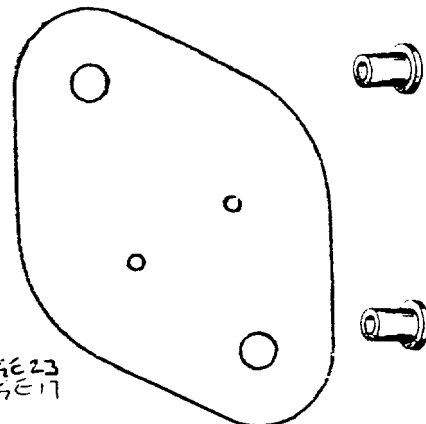
Part Number MK 3301  
Packing Outline TO3  
Washer=MI3023 PAGE 26  
Bush=3-38-32 GF PAGE 17



170645

Insulating Kit

Part Number MK 3301/S  
Package Outline TO3  
Washer=K177NA 065 PAGE 23  
Bush=3-38-32 GF PAGE 17

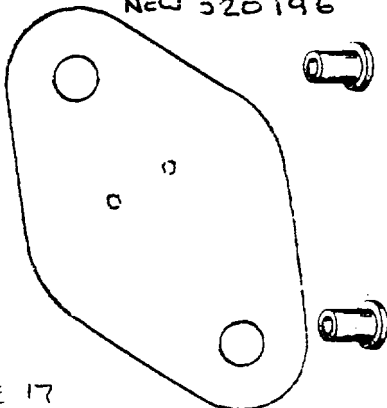


OLD  
170014

NEW 520196

Insulating Kit

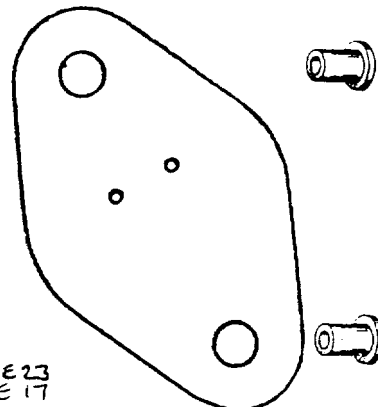
Part Number MK 3302  
Packing Outline TO66  
Washer=MI3022 PAGE 26  
Bush=3-38-32 GF PAGE 17



170647

Insulating Kit

Part Number MK 3302/S  
Packing Outline TO66  
Washer=K177NA 921 PAGE 23  
Bush=3-38-32 GF PAGE 17

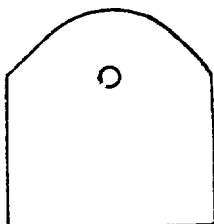


OLD  
170018

NEW 520238

Insulating Kit

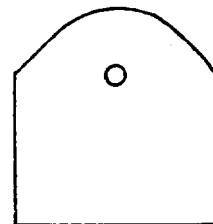
Part Number MK 3305  
Packing Outline SOT93 (TO3 Plastic)  
Washer=MI2096 PAGE 26  
Bush=3-38-32 GF PAGE 17



170651

Insulating Kit

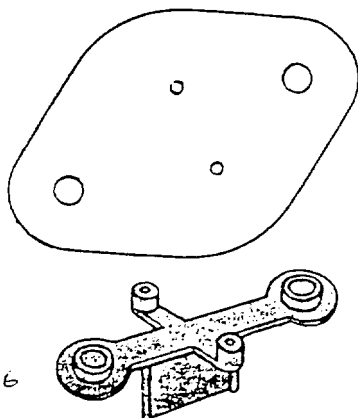
Part Number MK 3305/S  
Package Outline SOT93 (TO3 Plastic)  
Washer=K177 NA 235 PAGE 23  
Bush=3-38-32 GF PAGE 17



170015 OLD  
520202 NEW

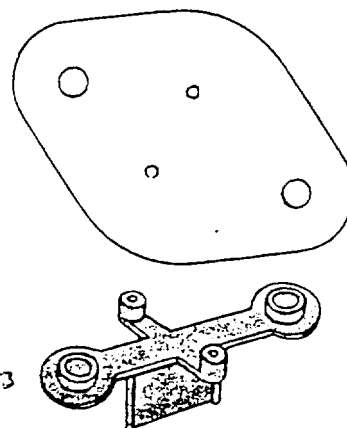
Insulating Kit

Part Number MK 3303  
Package Outline TO3  
Washer=MI3023 PAGE 26  
Bush=1783 PAGE 21

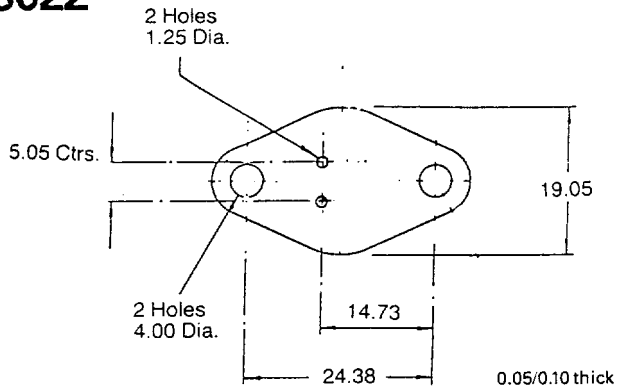


Insulating Kit

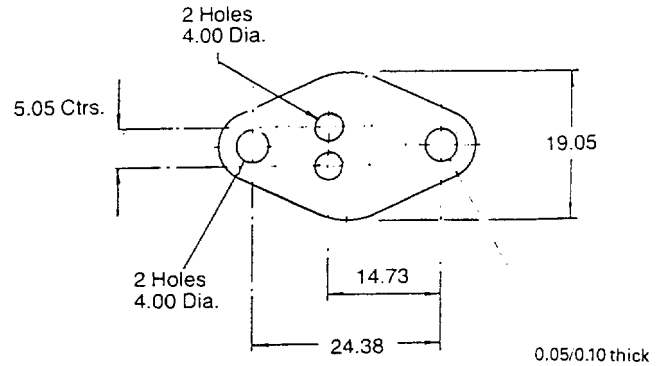
Part Number MK 3303/S  
Package Outline TO3  
Washer=K177 NA 065 PAGE 23  
Bush=1783 PAGE 21



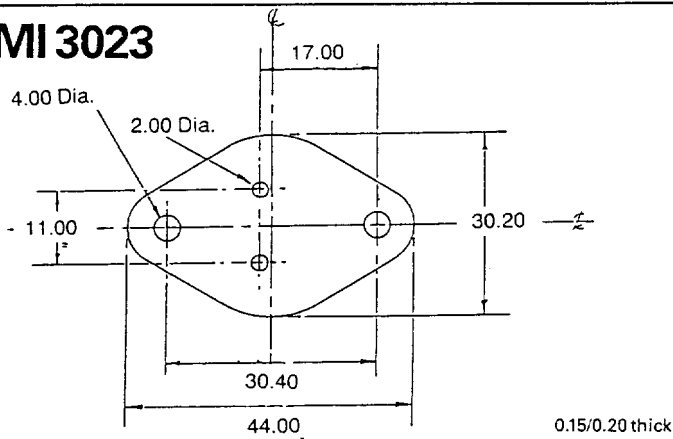
## MI 3022



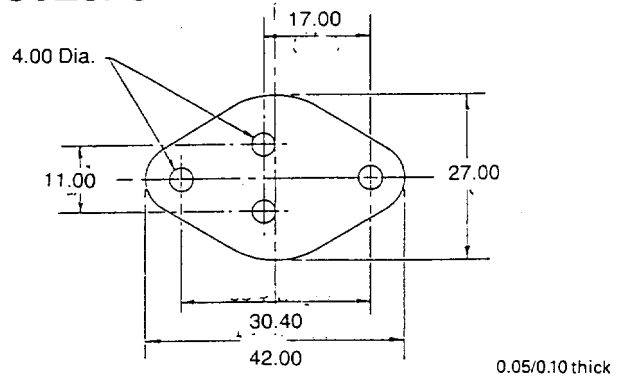
## MI 3022/S



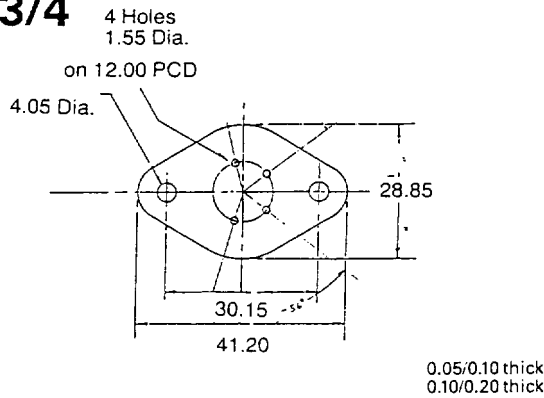
## MI 3023



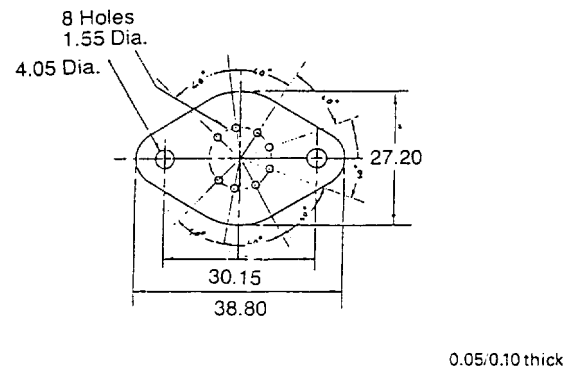
## MI 3023/S



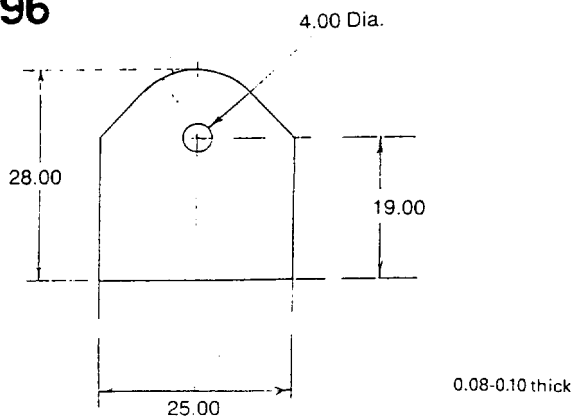
## MI 3023/4



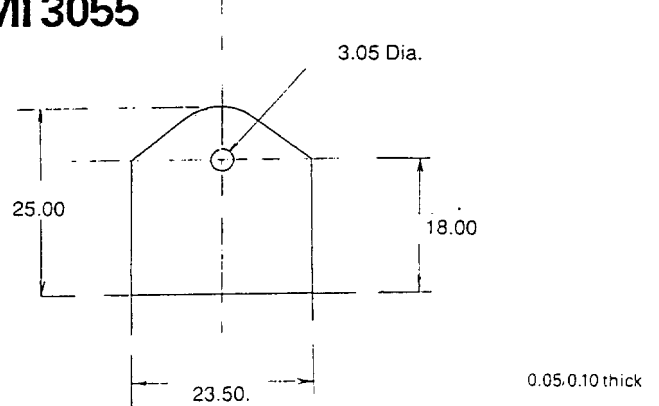
## MI 3023/8



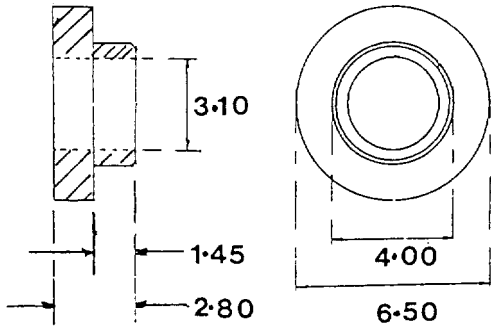
## MI 2096



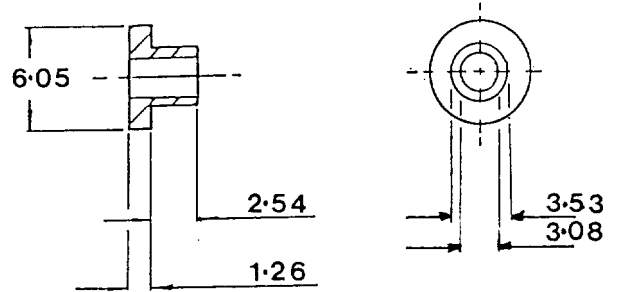
## MI 3055



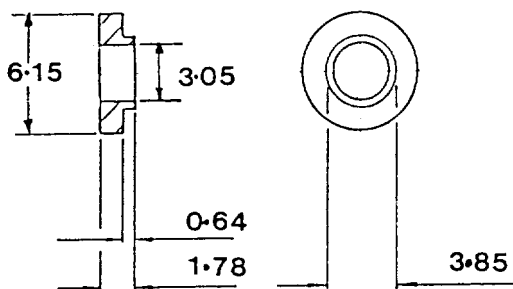
**31-35-14 GF**



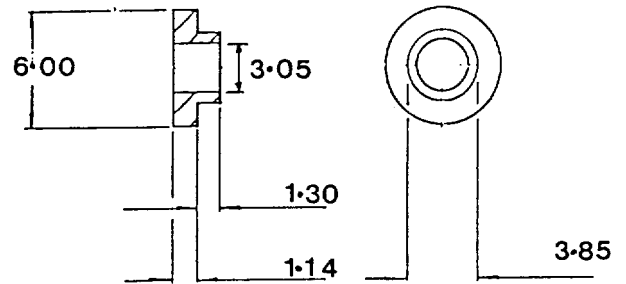
~~31-25-25 GF~~  
**31-25-25 GF**



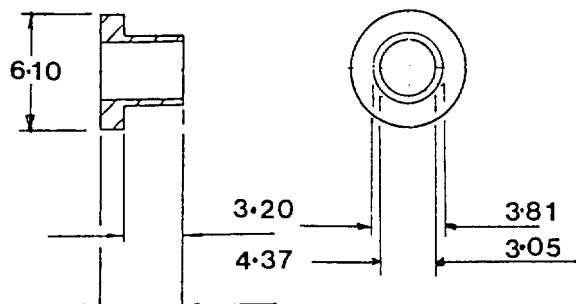
**3-38-05 GFPPS**



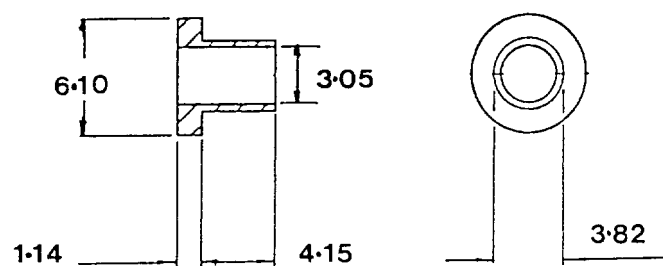
**3-38-13 GF**



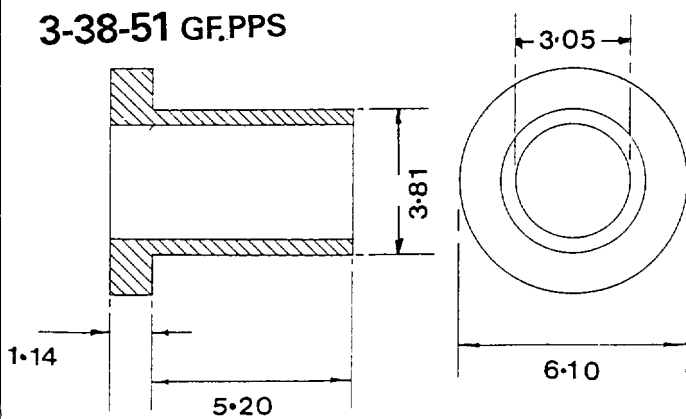
**3-38-32 GFPPS**



**3-38-39 GF**



**3-38-51 GFPPS**



**3-38-80 GF**

