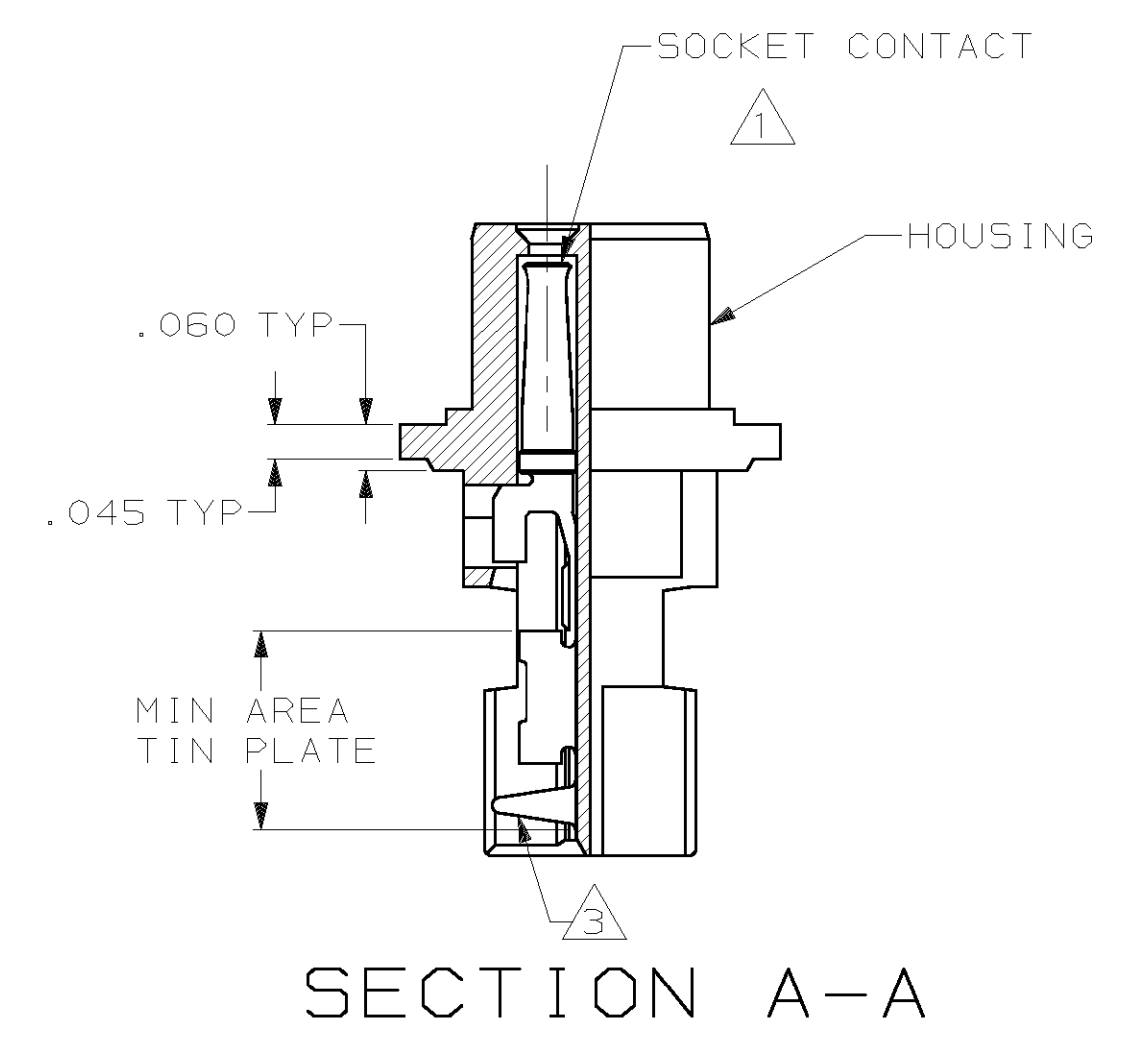
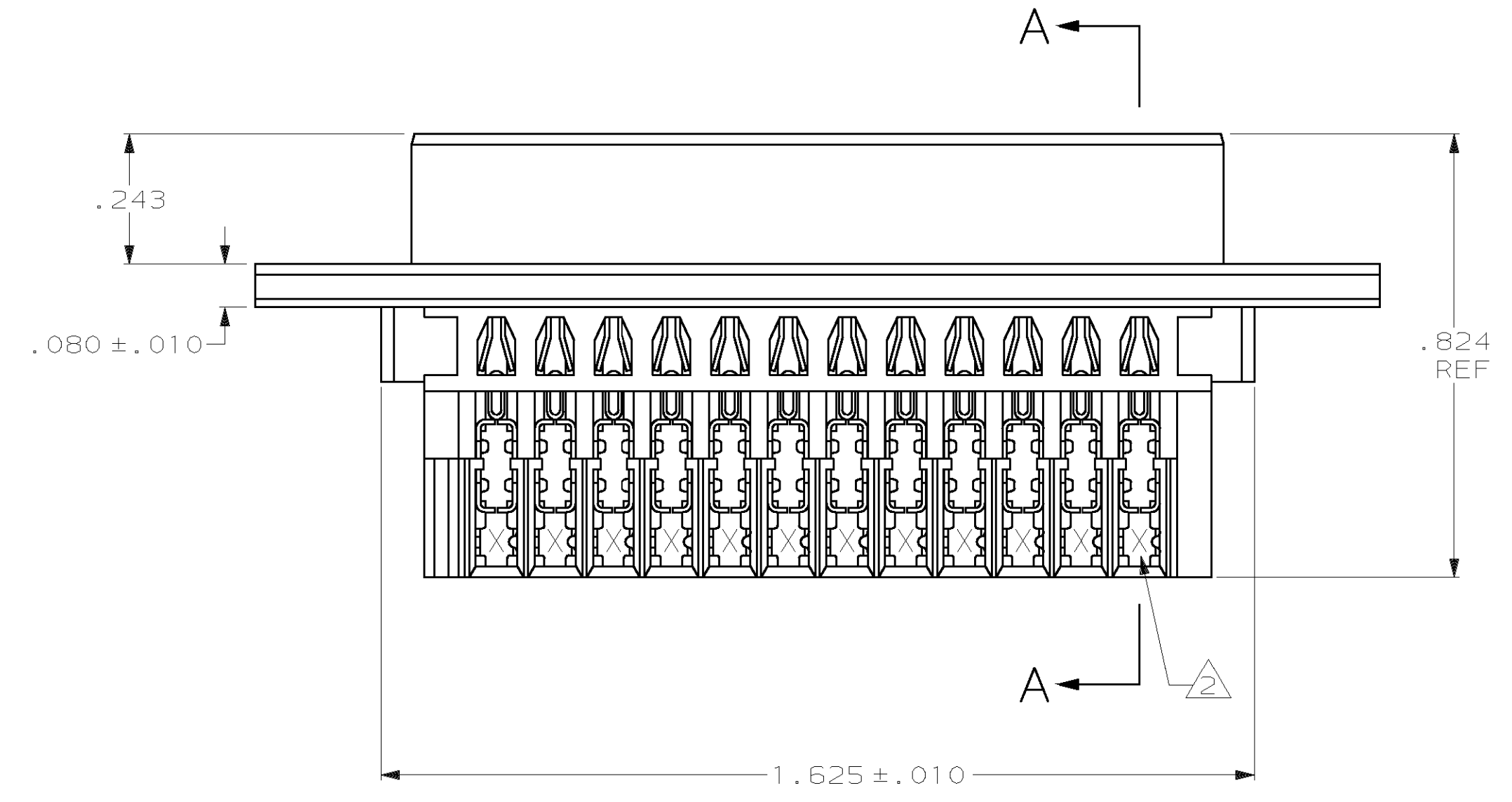
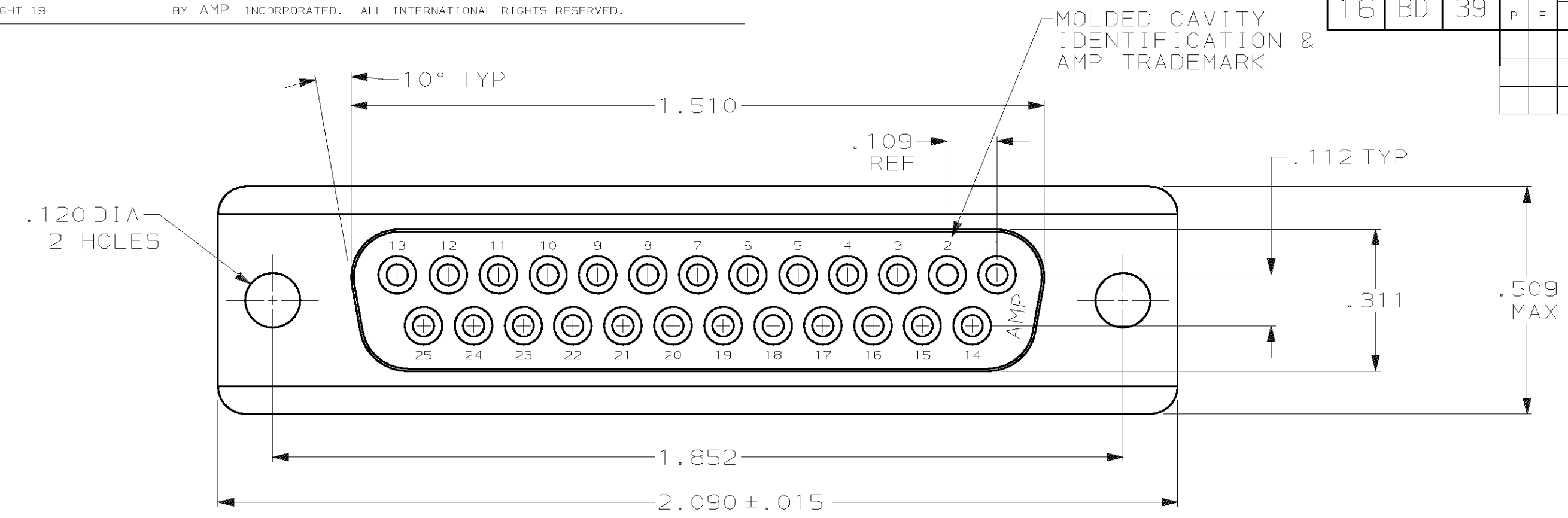


THIS DRAWING IS UNPUBLISHED. RELEASED FOR PUBLICATION
 © COPYRIGHT 19 BY AMP INCORPORATED. ALL INTERNATIONAL RIGHTS RESERVED.

MOD 16 LOC BD DIST 39

REVISIONS				
ZONE	LTR	DESCRIPTION	DATE	APPD
	D	REDRAWN ON CAD	4-5-90	-
	E	REV PER ECN BD5813	01/24/92	RM
	F	OBS -4 PER EC 0U1D-0211-00	25 AUG 00	JK



- ① HOUSING FULLY LOADED WITH CONTACTS.
- ② NUMBER ON CONTACT INDICATES WIRE RANGE.
- ③ CONTACT INSULATION RANGE: .060 MAXIMUM O.D.
- ④ CONTACTS PLATED .000030 GOLD ON MATING END FOR .100 MIN LENGTH. .000100-.000200 THICK BRIGHT TIN OR BRIGHT TIN-LEAD IN AREA SHOWN. .000050 THICK NICKEL UNDERPLATE ON ENTIRE CONTACT.
- ⑤ CONTACTS PLATED WITH GOLD FLASH ON MATING END FOR .100 MIN LENGTH. .000100-.000200 THICK BRIGHT TIN OR BRIGHT TIN-LEAD IN AREA SHOWN. .000030 THICK NICKEL UNDERPLATE ON ENTIRE CONTACT.
- ⑥ OBSOLETE.

⑤	3	#20-22	745209-6
	2	#22-26	745209-5
	1	#26-30	⑥ 745209-4
④	3	#20-22	745209-3
	2	#22-26	745209-2
	1	#26-30	745209-1
FINISH	②	AWG WIRE RANGE	PART NUMBER

DO NOT SCALE PRINT. UNLESS SPECIFIED DIMENSIONS IN INCHES TOLERANCES ON:	DR 4-5-90 J. GALLUCCI BG	AMP INCORPORATED Harrisburg, Pa. 17105	
2 PLC DEC ± -	CHK 6-21-90 W. LENKER		
3 PLC DEC ± .005	APPD 6-22-90 J. WESTMAN	NAME	
ANGLES ± 2°	APPD 6-22-90 J. ASSINI	RECEPTACLE ASSEMBLY, SIZE 3, 25 POSITION, AMPLIMITE™	
MATERIAL HOUSING: BLACK THERMOPLASTIC	PRODUCT SPEC 108-40011	SIZE	FSCM NO
CONTACTS: PHOSPHOR BRONZE	APPLICATION SPEC 114-40002	C	00779
FINISH	WEIGHT -	SCALE	4:1
SEE TABLE		DRAWING NO	745209
		SHEET	1 OF 1