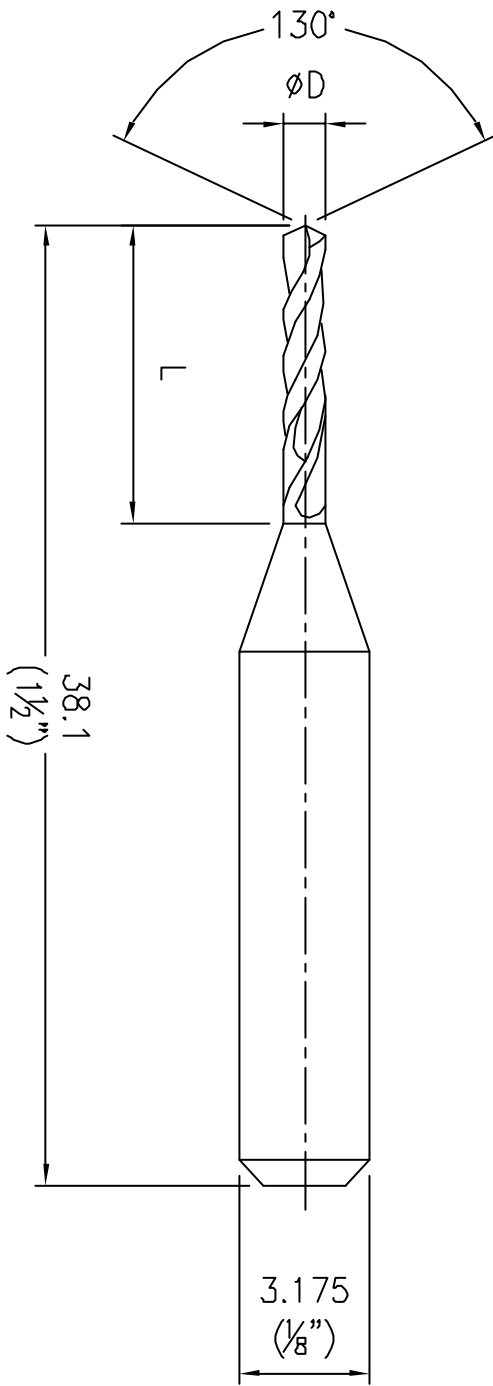


CUSTOMER FARNELL FILE NO. UC-XX

THIS DRAWING AND SPECIFICATIONS ARE THE
 PROPRIETARY PROPERTY OF SAMMAR AND SHALL NOT
 BE REPRODUCED OR COPIED OR DISCLOSED IN WHOLE
 OR IN PART WITHOUT WRITTEN PERMISSION.

REV. 0	DESCRIPTION INITIAL RELEASE	DRAWN / DATE YANG 07/02/2003	APPROVED / DATE
--------	-----------------------------	------------------------------	-----------------



P/N	DIAMETER (D)	FLUTE LENGTH (L)
UC-0.50	0.50	7.0
UC-0.60	0.60	7.0
UC-0.80	0.80	8.0
UC-1.00	1.00	8.0

MATERIAL:
 SHANK: STAINLESS STEEL
 DRILL: TUNGSTEN CARBIDE

DIMENSIONS ARE IN mm INCHES		TOLERANCES ARE FRACTIONS DECIMALS ANGLES		MATERIAL		FINISH		TUNGSTEN CARBIDE DRILL BITS 1/8" (3.175mm) SHANK LENGTH 38.1mm		P/N UC-XX		PROJECT NO.		DRAWN YANG		DATE 07/02/2003	
MOLD NO.	UC-XX	x ±0.2 [0.008]	xx ±0.12 [0.005]	9010R				SCALE N.T.S.	SIZE	SHEET 1 OF 1							

