

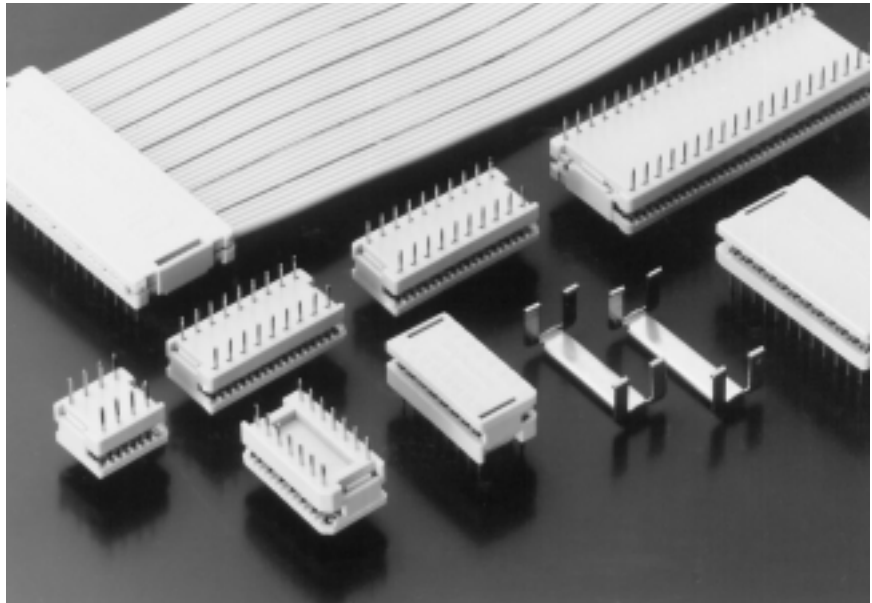
**PRODUCT DESCRIPTION**

The Standard and Low Profile DIP Plugs are primarily used as a disconnectable interface to DIP sockets. Heavy-duty leads are standard features on both Standard and Low Profile DIP Plugs. Low Profile DIP Plugs are also available with tin-plated pins, providing a permanent flat cable transition to printed circuit boards.

**DESIGN ADVANTAGES**

- Contact Material—Beryllium copper with 30 microinches min. gold over 50 micro inches min. nickel plating.
- Standard DIP Plugs available in 14 and 16 pin versions to mate with DIP sockets for disconnect applications on 2.54mm x 7.62mm (.100"x .300) grids.
- Low Profile DIP Plugs available in 9 contact sizes- 8, 14, 16, 18, 20, 22, 24, 40, and 48.
- Heavy-duty gold-plated contacts provided on both Standard and Low Profile DIP Plugs.
- Heavy-duty tin-plated contacts available on Low Profile DIP Plugs.
- Snap-on strain reliefs available for 24- and 40-position Low Profile versions.

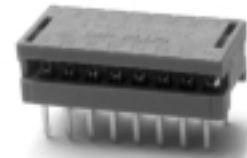
# DIP PLUGS STANDARD AND LOW PROFILE



**DIP PLUGS INDEX**

Standard 14 & 16 position .....	54
Low Profile 8-20 position .....	55
Low Profile 22 position .....	56
Low Profile 24-48 position .....	57

**DIP PLUGS  
STANDARD 14 & 16  
POSITION**



**PHYSICAL PROPERTIES**

INSULATION MATERIAL: Glass filled thermoplastic rated UL 94V-0  
 COLOR: Blue  
 CONTACTS: Beryllium copper; 30μ inches min. gold over 50μ inches nickel in contact zone; tin/lead over nickel in termination area.

**ELECTRICAL PROPERTIES**

CURRENT RATING: 1 Amp  
 INSULATION RESISTANCE: >1 x 10<sup>9</sup> Ohms  
 DIELECTRIC STRENGTH: >1000 VRMS at sea level

**ENVIRONMENTAL PROPERTIES**

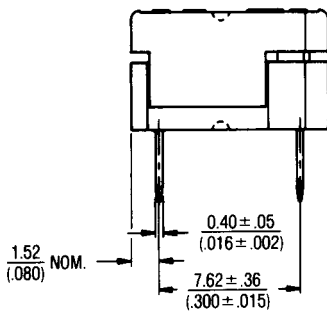
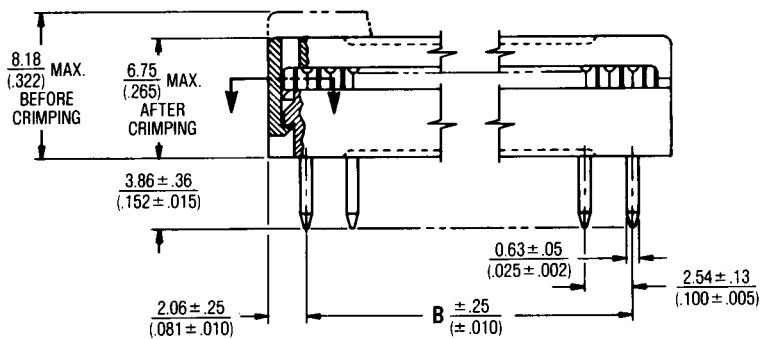
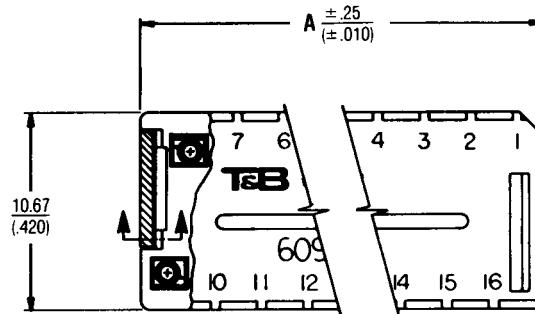
TEMPERATURE RATING: -55°C TO 125°C

**APPLICATION TOOLING**

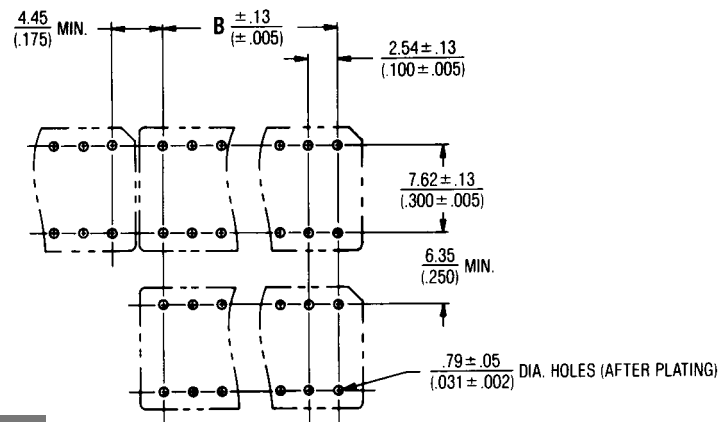
- HAND TOOL 779-2100
- use Die 779-2162
- BENCH PRESS (MANUAL) 779-3200
- use Platen 779-3130
- use Base Plate 779-3162
- BENCH PRESS (PNEUMATIC) 779-3500XT
- use Platen 779-3130
- use Base Plate 779-3162

**CABLE**

See pages 116-128



**RECOMMENDED MOUNTING HOLE PATTERN**



**Ordering Information**

CATALOG NO.	NO. OF POS.	DIMENSIONS IN MM (INCHES)	
		A	B
609-M141H	14	19.35 (.762)	15.24 (.600)
609-M161H	16	21.89 (.862)	17.78 (.700)

H = Au OVER Ni

NOTE: CONNECTOR SPACINGS ARE GIVEN AS MINIMUMS FOR EASE OF PLUGGING OR UNPLUGGING. GREATER SPACING IN AT LEAST ONE DIRECTION IS RECOMMENDED.

## DIP PLUGS LOW PROFILE 8-20 POSITION



### PHYSICAL PROPERTIES

**INSULATION MATERIAL:** Glass filled thermoplastic rated UL 94V-0

**COLOR:** Blue

**CONTACTS:** Beryllium copper; 30μ inches min. gold over 50μ inches nickel in contact zone; tin/lead over nickel in termination area.

### ELECTRICAL PROPERTIES

**CURRENT RATING:** 1 Amp

**INSULATION RESISTANCE:** >1 x 10<sup>9</sup> Ohms

**DIELECTRIC STRENGTH:** >1000 VRMS at sea level

### ENVIRONMENTAL PROPERTIES

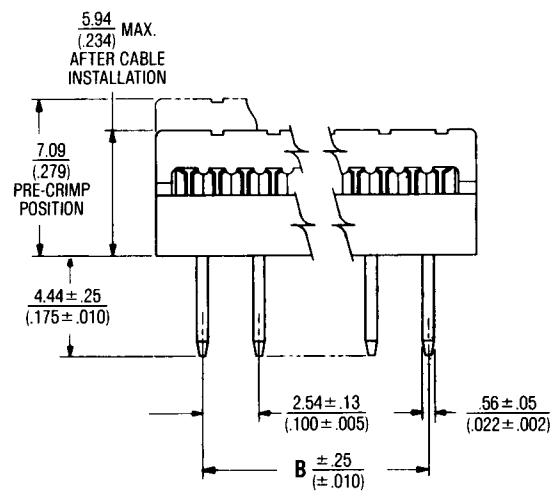
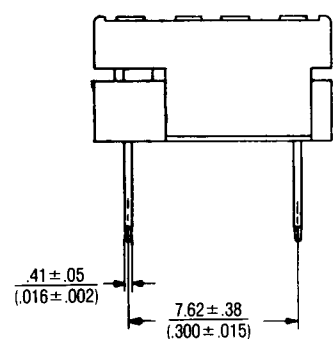
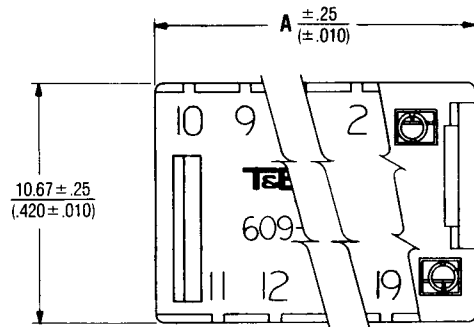
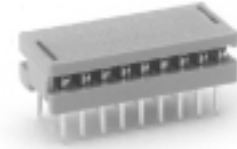
**TEMPERATURE RATING:** -55°C TO 125°C

### APPLICATION TOOLING

<b>HAND TOOL</b>	779-2100
use Die	779-2162
<b>BENCH PRESS (MANUAL)</b>	779-3200
use Platen	779-3130
use Base Plate	779-3162
<b>BENCH PRESS (PNEUMATIC)</b>	779-3500XT
use Platen	779-3130
use Base Plate	779-3162

### CABLE

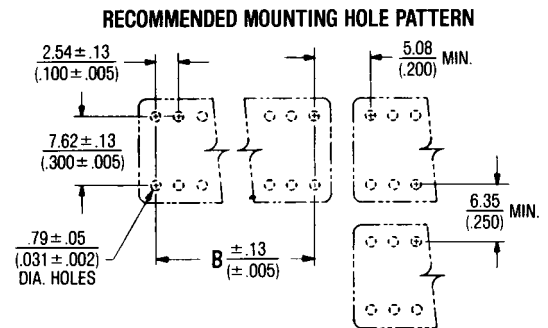
See pages 116-128



### Ordering Information

CATALOG NO.	NO. OF POS.	DIMENSIONS IN MM (INCHES)	
		A	B
609-M085H	8	11.76 (.463)	7.62 (.300)
609-M145H	14	19.38 (.763)	15.24 (.600)
609-M165H	16	21.92 (.863)	17.78 (.700)
609-M185H	18	24.46 (.963)	20.32 (.800)
609-M205H	20	27.00 (1.063)	22.86 (.900)
609-M085TH	8	11.76 (.463)	7.62 (.300)
609-M145TH	14	19.38 (.763)	15.24 (.600)
609-M165TH	16	21.92 (.863)	17.78 (.700)
609-M185TH	18	24.46 (.963)	20.32 (.800)
609-M205TH	20	27.00 (1.063)	22.86 (.900)

H = Au OVER Ni  
HT = Tin OVER Ni



NOTE: CONNECTOR SPACINGS ARE GIVEN AS MINIMUMS FOR EASE OF PLUGGING OR UNPLUGGING. GREATER SPACING IN AT LEAST ONE DIRECTION IS RECOMMENDED.

## DIP PLUGS LOW PROFILE 22 POSITION



LR92984 E60980

### PHYSICAL PROPERTIES

**INSULATION MATERIAL:** Glass filled thermoplastic rated UL 94V-0

**COLOR:** Blue

**CONTACTS:** Beryllium copper; 30μ inches min. gold over 50μ inches nickel in contact zone; tin/lead over nickel in termination area.

### ELECTRICAL PROPERTIES

**CURRENT RATING:** 1 Amp

**INSULATION RESISTANCE:** >1 x 10<sup>9</sup> Ohms

**DIELECTRIC STRENGTH:** >1000 VRMS at sea level

### ENVIRONMENTAL PROPERTIES

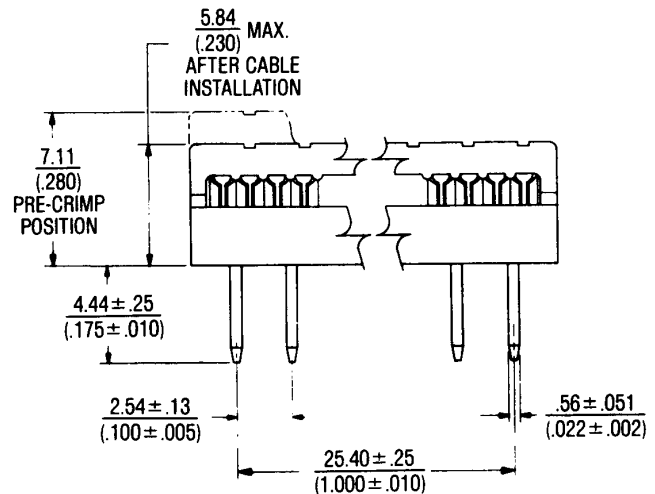
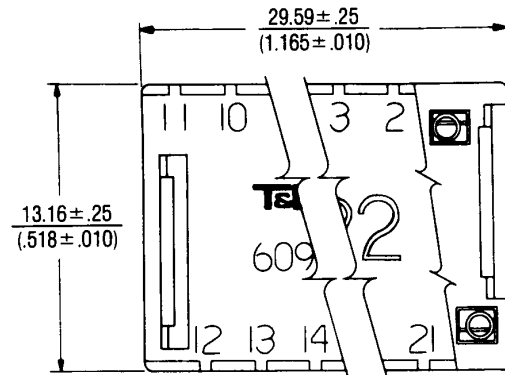
**TEMPERATURE RATING:** -55°C TO 125°C

### APPLICATION TOOLING

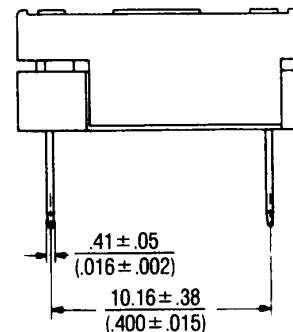
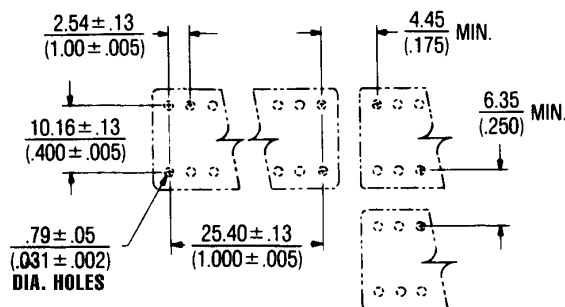
<b>HAND TOOL</b>	779-2100
use Die	779-2162
<b>BENCH PRESS (MANUAL)</b>	779-3200
use Platen	779-3130
use Base Plate	779-3162
<b>BENCH PRESS (PNEUMATIC)</b>	779-3500XT
use Platen	779-3130
use Base Plate	779-3162

### CABLE

See pages 116-128



### RECOMMENDED MOUNTING HOLE PATTERN



### Ordering Information

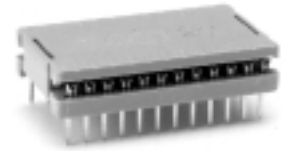
CAT NO.	DESCRIPTION
609-M225H	Gold over Nickel
609-M225TH	Tin over Nickel

Note: Connector spacings are given as minimums for ease of plugging or unplugging. Greater spacing in at least one direction is recommended.

## DIP PLUGS LOW PROFILE 24 TO 48 POSITION



LR92984 E60980



### PHYSICAL PROPERTIES

**INSULATION MATERIAL:** Glass filled thermoplastic rated UL 94V-0

**COLOR:** Blue

**CONTACTS:** Beryllium copper; 30μ inches min. gold over 50μ inches nickel in contact zone; tin/lead over nickel in termination area.

### ELECTRICAL PROPERTIES

**CURRENT RATING:** 1 Amp

**INSULATION RESISTANCE:** >1 x 10<sup>9</sup> Ohms

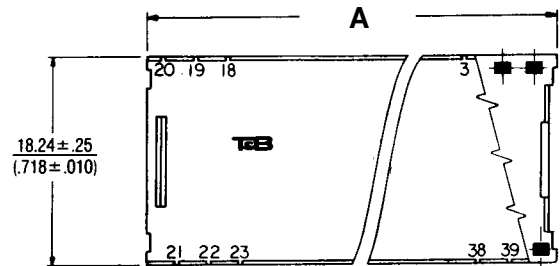
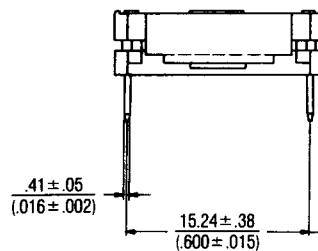
**DIELECTRIC STRENGTH:** >1000 VRMS at sea level

### ENVIRONMENTAL PROPERTIES

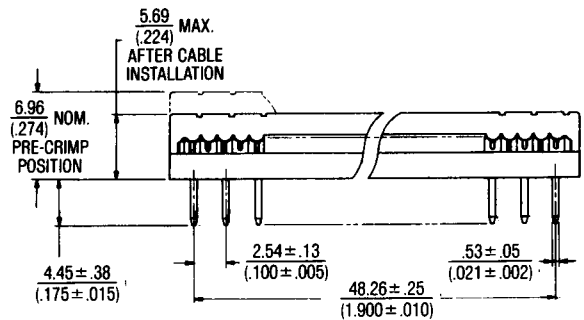
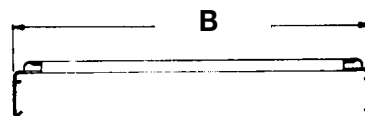
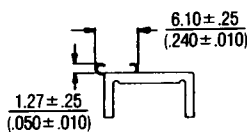
**TEMPERATURE RATING:** -55°C TO 125°C

### CABLE

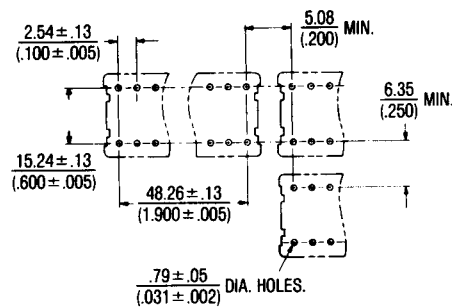
See pages 116-128



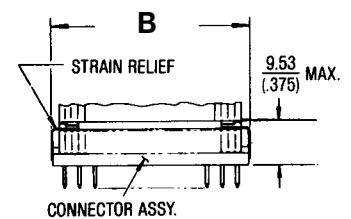
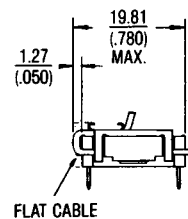
### STRAIN RELIEF



### RECOMMENDED MOUNTING HOLE PATTERN



### CONNECTOR ASSEMBLY WITH STRAIN RELIEF



### Ordering Information

NO. OF POSITIONS	CATALOG NO. BY CONTACT STYLE			DIMENSIONS	
	GOLD OVER NICKEL	TIN OVER NICKEL	STRAIN RELIEF	A	B
24	609-M245H	609-M245TH	609-M245S	32.00 ± .25 (1.260 ± .010)	32.00 ± .25 (1.260 ± .010)
40	609-M407H	609-M407TH	609-M407S	52.83 ± .25 (2.080 ± .010)	52.45 ± .25 (2.065 ± .010)
48	609-M485H	609-M485TH	609-M485S	62.63 ± .25 (2.466 ± .010)	—