

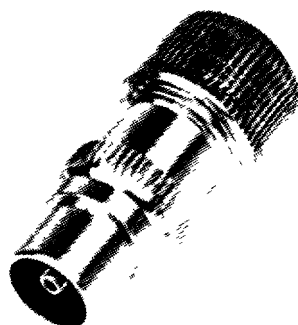
# Coaxial connectors — standard

310-231/293

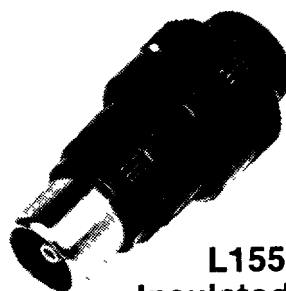
## L734/P/Al or Ni L1556

Standard coaxial connectors — plugs

Originally developed for the television industry, these connectors have been adopted by instrumentation engineers because of the excellence of design. They have also received approval for use by H.M. Services. The mating face details meet BS 3041: 1958, IEC 169-2 and DIN 45325 specifications.



L734/P  
Free connector



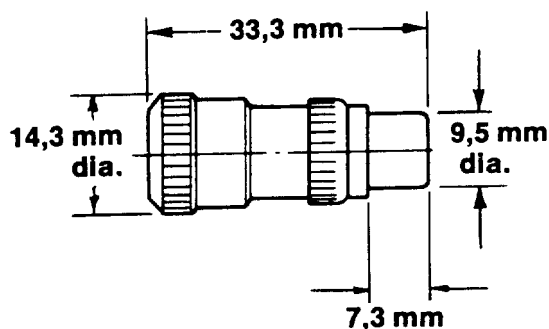
L1556  
Insulated free connector

Impedance _____	60-75 ohms
Capacitance _____	≤ 5 pF
Breakdown voltage (d.c.) _____	≥ 4 kV
Insulation resistance _____	≥ 10 <sup>3</sup> megohms
Contact resistance _____	Inner ≤ 10 milliohms Outer ≤ 5 milliohms
Temperature range (ambient) _____	-40°C to +70°C
Cable size _____	Inner 1,2 mm max Overall 3,2-7,9 mm

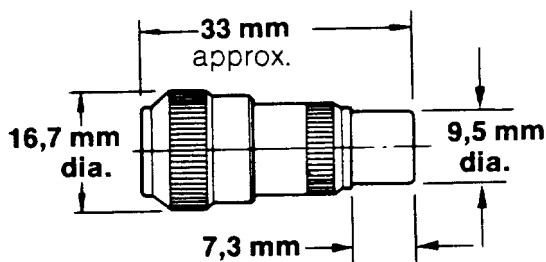
Materials:	
L734/P/Al _____	Polished aluminium
L734/P/Ni _____	Nickel-plated brass body
L1556 _____	Polypropylene body, Black
Insulants — internal _____	Polypropylene
Centre contact _____	Silver-plated
Connections _____	Soldered centre

Ordering reference

L734/P/Al L734/P/Ni L1556



L734/P



L1556