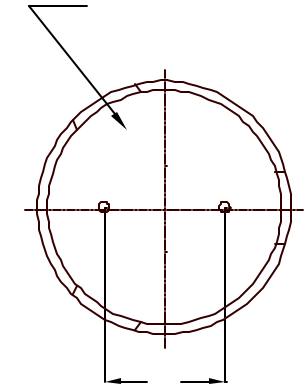
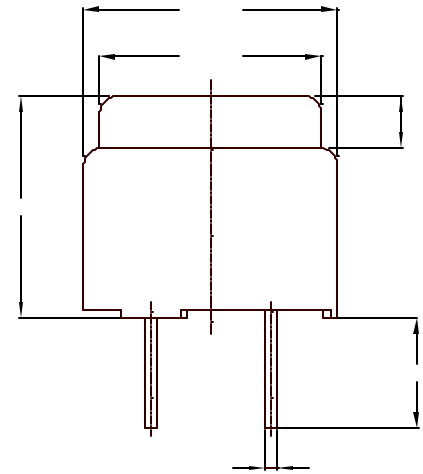
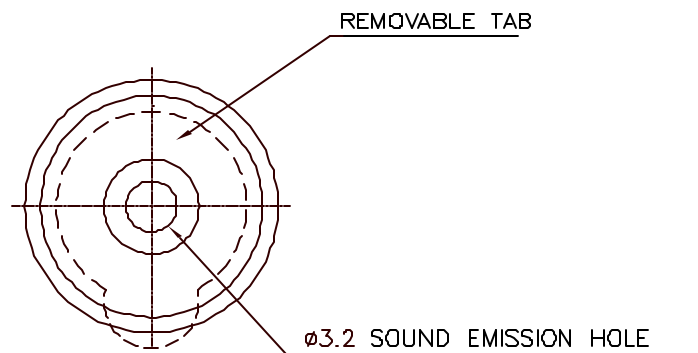


THIS DOCUMENT CONTAINS DATA PROPRIETARY TO PROJECTS UNLIMITED, INC. ANY REPRODUCTION, IN ANY FORM, WITHOUT PRIOR WRITTEN PERMISSION OF PROJECTS UNLIMITED, INC. IS PROHIBITED.

### SPECIFICATIONS

PARAMETERS	VALUES	UNITS
Rated Voltage (Square Wave)	12	Vp-p
Operating Voltage	6 ~ 18	Vp-p
Rated Current (typ.)	40	mA
Typical Sound Pressure Level @ 10 cm.	85	dB(A)
Resonant Frequency	2048	Hz
Operating Temperature Range	-20 ~ +60	°C
Storage Temperature Range	-30 ~ +70	°C
Housing Material	ABS Black	
Terminal	Tin-Plated Brass Pins	
Weight	4.5	g

REVISIONS			
LTR	DESCRIPTION	DATE	APPROVED
-	RELEASED FROM ENGINEERING	5/1/02	



- NOTES:
1. ALL DIMENSIONS ARE IN MILLIMETERS.
  2. SPECIFICATION SUBJECT TO CHANGE OR WITHDRAWAL WITHOUT NOTICE.

FILE NAME  
AT-03.DWG

UNLESS OTHERWISE SPECIFIED, DIMENSIONS ARE IN MILLIMETERS. TOLERANCES ARE:  
FRACTIONS DECIMALS ANGLES  
± .XX ± 0.3 ±  
XXX ±

APPROVALS	DATE
DRAWN <i>RABL</i>	05/02
CHECKED	
APPROVED <i>S. J.</i>	05/01/02
DO NOT SCALE DRAWING	

**projects<sup>®</sup> unlimited** Dayton, Ohio

**AUDIO TRANSDUCER**  
AT-03

SIZE A	MATERIAL	DRAWING NO. AT-03
SCALE N/A	MAX. WT.	SHEET 1 OF 1