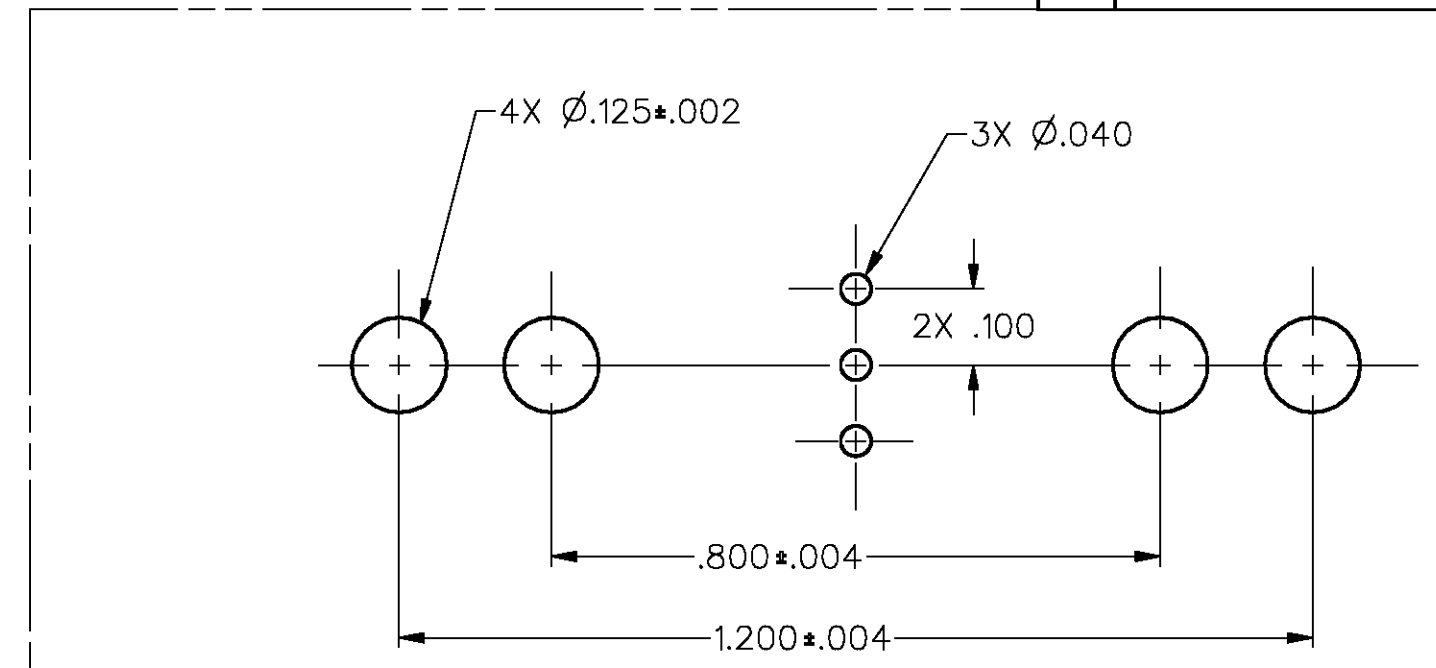


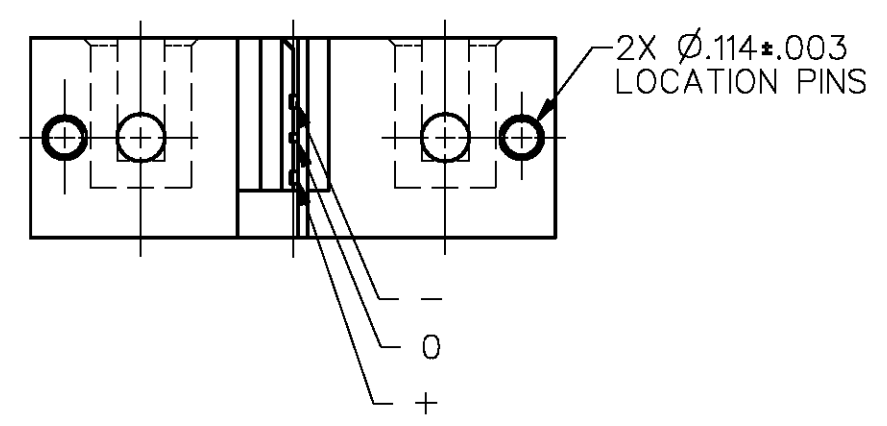
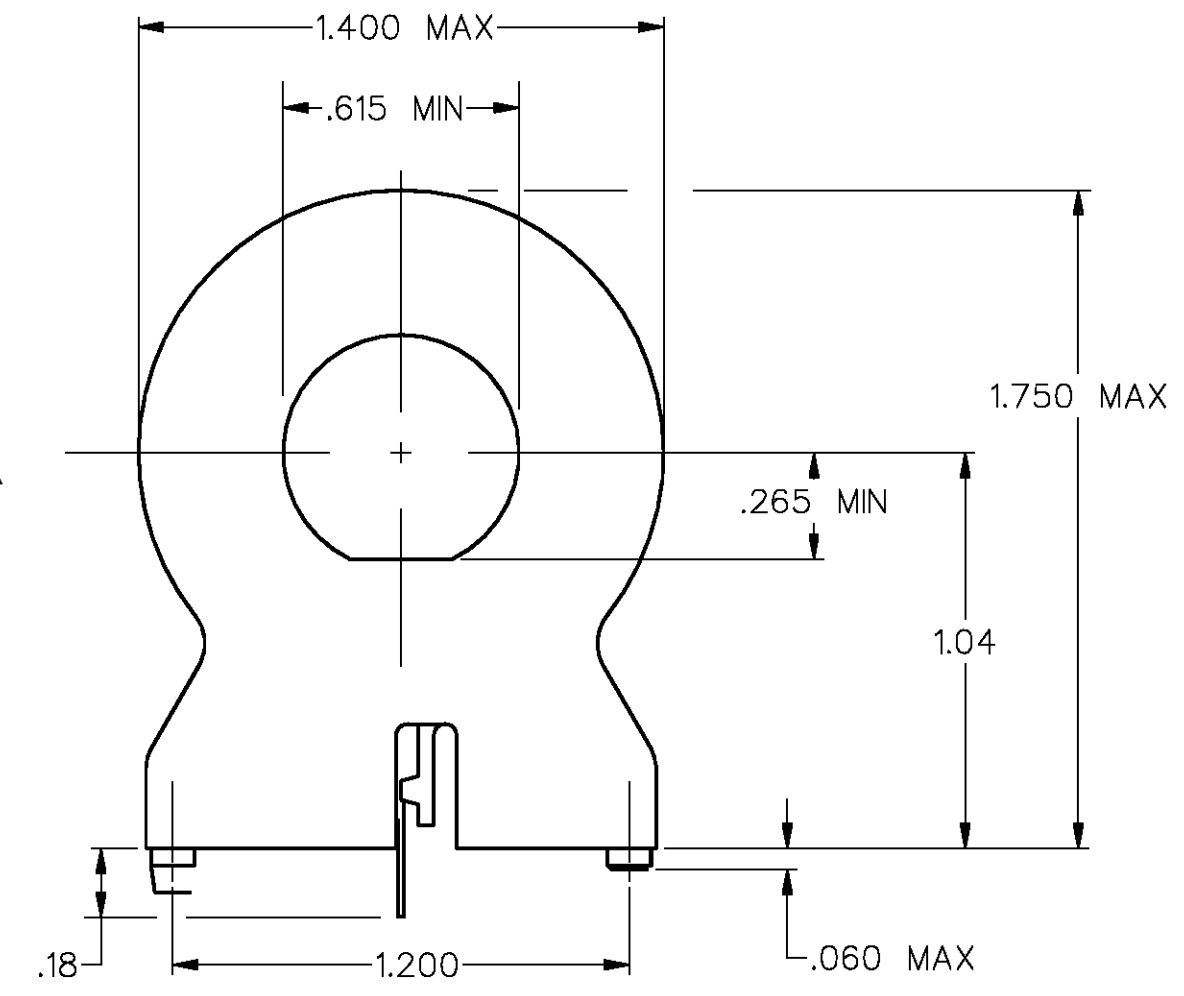
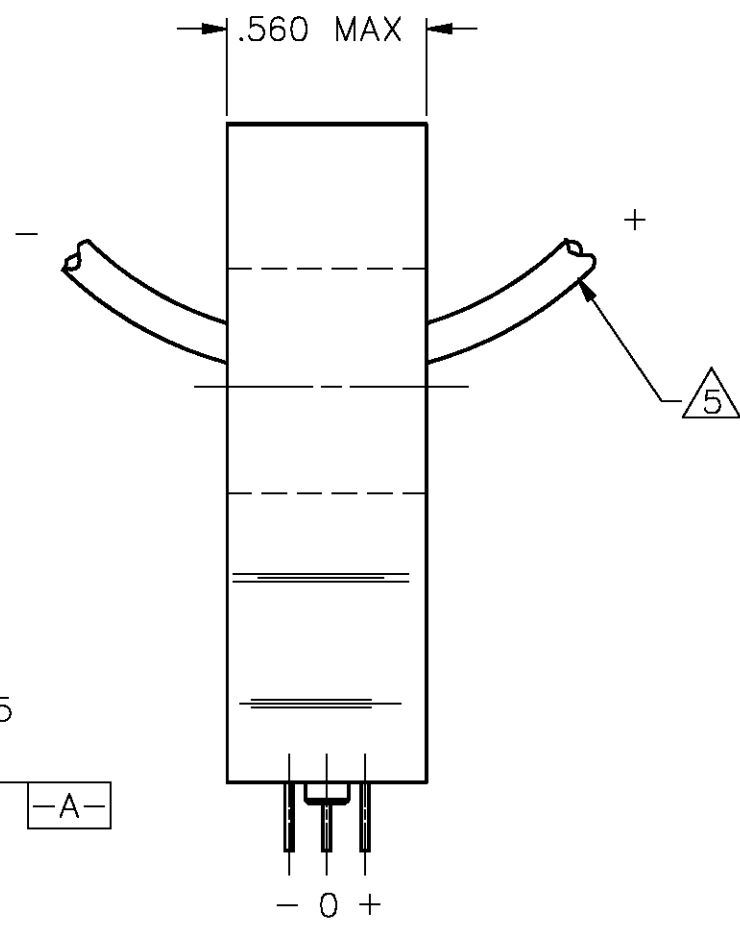
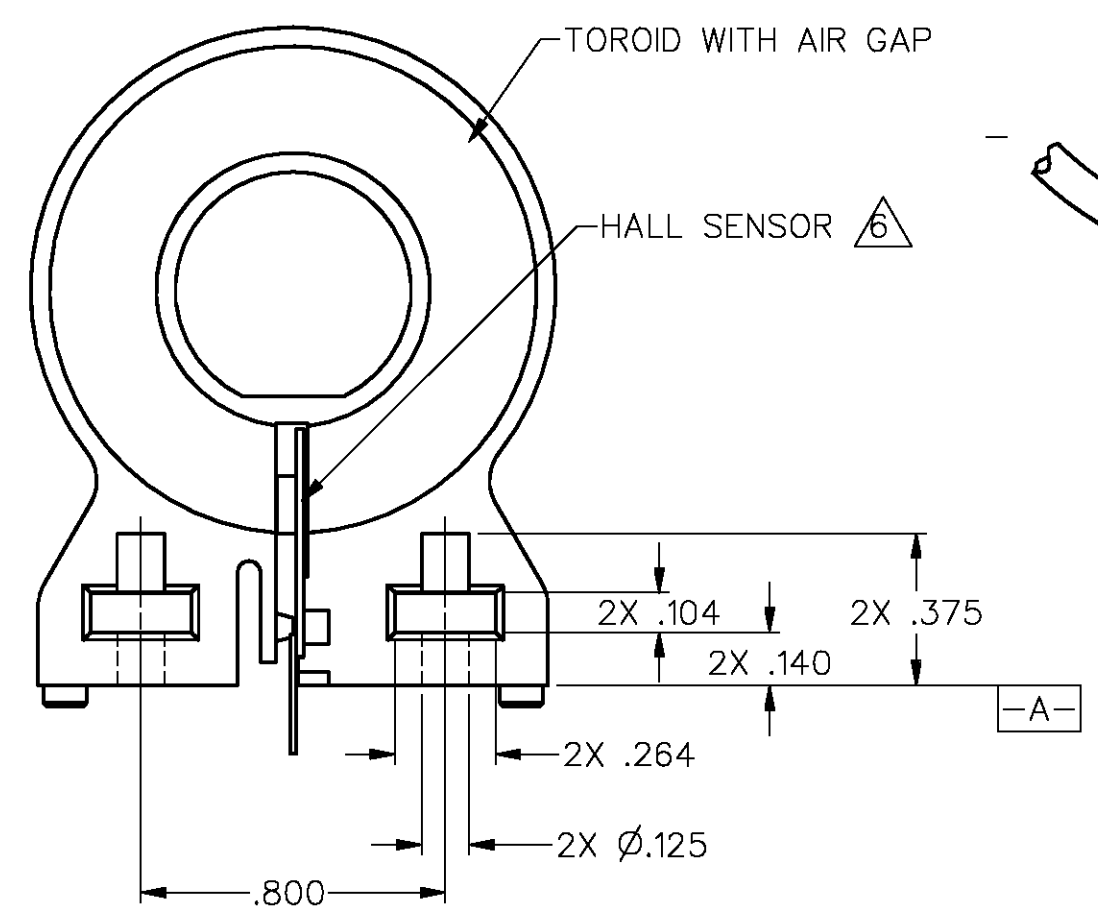
CHARACTERISTICS

PARAMETER	MIN	TYP	MAX	UNITS	CONDITIONS/REMARKS
SUPPLY VOLTAGE	6.0	8.0	12.0	VOLTS	-25°C TO 85°C
SUPPLY CURRENT		13	20	mA	MAX @ -25°C, TYP @ 25°C, V _s = 8.0V, EXCLUDES LOAD
OUTPUT CURRENT	1			mA	SINKING OR SOURCING
OUTPUT VOLTAGE SWING	(-V)+1.25		(+V)-1.25	VOLTS	MAX CLAMPED @ 9.0 VOLTS MIN
SENSITIVITY	8.1		9.2	mV/NI	@ V _s = 8.0 VOLTS & 25°C /5
LINEARITY		.5	1.0	%OF SPAN	DEV FROM STR LINE FROM -1 MAX TO +1 MAX /1
V _{out} @ 0NI	.5(V _s)-2%		.5(V _s)+2%	VOLTS	25°C
TEMP ERROR - NULL	-.02		+.02	%/°C	-25°C TO 85°C
TEMP ERROR - GAIN	-.06		+.01	5%/°C	-25°C TO 85°C



SUGGESTED HOLE CENTERS
SCALE 4 : 1

- NOTES
- 1 - SUGGESTED 1 MAX FOR LINEAR OPERATION IS 225 AMPS
 - 2 - RECOMMENDED MOUNTING IS 4-40 SQUARE NUT @ .375 LONG 4-40 SCREW
 - 3 - CONVENTIONAL CURRENT FLOW IN DIRECTION INDICATED WILL CAUSE AN INCREASE IN OUTPUT VOLTAGE
 - 4 - THE DEVICE CANNOT BE DAMAGED BY MAGNETIC OVERDRIVE
 - 5 - AT V_s OTHER THAN 8.0 VOLTS, SENSITIVITY = (NUMBER SHOWN) X V_s/8
 - 6 - BACKSIDE OF HALL SENSOR IS ELECTRONICALLY CONNECTED TO THE "-" TERMINAL



DRAWING NUMBER: CSLA2DJ
 ISSUE: 3
 PAGE 1 OF 1
 RELEASE NO. PR-18093
 REPLACES: X90005-CS
 REVISIONS:
 A CO 79248B
 K D R 14 AUG 95
 B CO 95704
 DLM 21 MAR 00
 FORMTEK DRAWN
 J A S 9 FEB 90
 CHECK J A S 9 FEB 90
 CHECK



THIS DRAWING COVERS A PROPRIETARY ITEM AND IS THE PROPERTY OF MICRO SWITCH, A DIVISION OF HONEYWELL. THIS DRAWING IS NOT TO BE COPIED OR USED WITHOUT THE APPROVAL OF MICRO SWITCH.

MICRO SWITCH
a Honeywell Division

CATALOG LISTING
CSLA2DJ

CURRENT SENSOR

THIRD ANGLE PROJECTION

SCALE 2 : 1

DO NOT SCALE PRINT

UNLESS OTHERWISE SPECIFIED TOLERANCES ARE

ONE PLACE	(.0)	±.030
TWO PLACES	(.00)	±.015
THREE PLACES	(.000)	±.005
ANGLES		±

WEIGHT