

keypad

packaging of 10 pcs.



recommended accessories:

-

	marking	electrical switching	material of con- tacts	colour of key	colour of marking	part no.	technical drawing	mounting dimension	components layout
keypad plastic keys for in- ternal use	12 (telephone)	common point	carbon/Au	white	black	ECO.12100.06	1	1	1
		matrix	carbon/Au	white	black	ECO.12150.06	1	1	1
	16 (hexadecimal II)	common point	carbon/Au	white	black	ECO.16200.06	2	1	2
		matrix	carbon/Au	white	black	ECO.16250.06	2	1	2

technical drawing as of page ECO.3. mounting dimensions ECO.3. components layouts as of page ECO.4

ECO

electrical characteristics

contact power rating

nominal: 0,5 W

contact resistance

< 200 Ω

current

nominal: 20 mA,
minimum: 10 mA

ESD protection

5000 V

insulation resistance

at 100 V_{cc}: > 1000 M Ω

life time

at nominal rating: > 10⁶ operations

voltage

nominal: 24 V,
maximum: 24 V,
minimum: 500 mV

mechanical characteristics

actuating force

1,2 N +/- 35%

actuating travel

1,4 mm +/- 0,1

contacts

carbon/Au

marking height

3,5 mm

climatic characteristics

service temperature

-20°C + 60°C

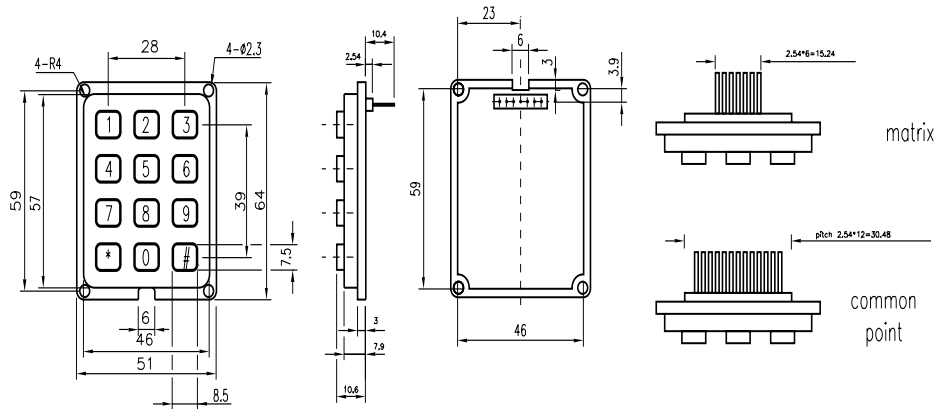
storage temperature

-40°C + 65°C

Technical Drawing

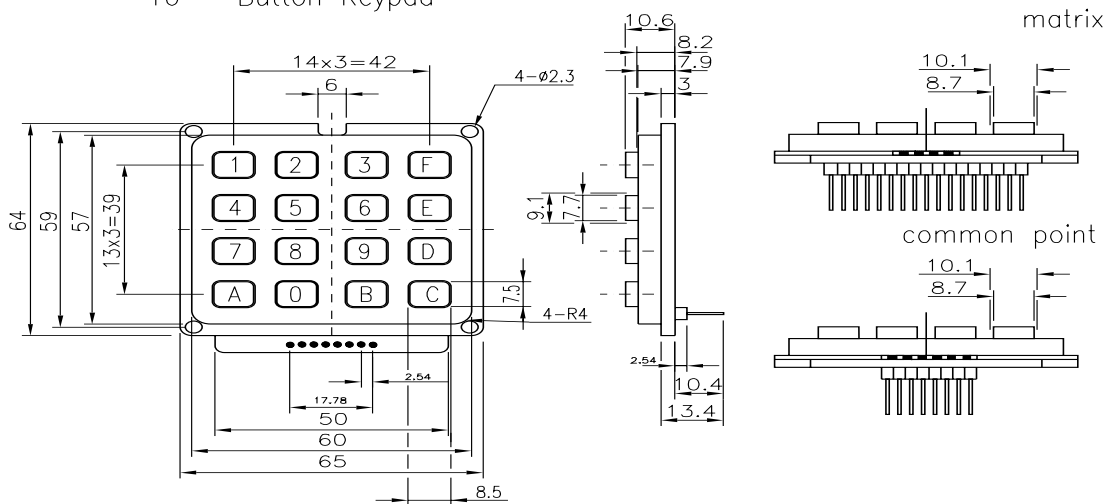
1 keypad page ECO.1

12 - BUTTON KEYPAD



2 keypad page ECO.1

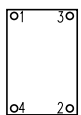
16 - Button Keypad



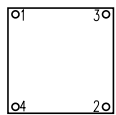
Mounting Dimension

1 keypad page ECO.1

Flush mount
4 holes in the angles



12 Buttons



16 Buttons

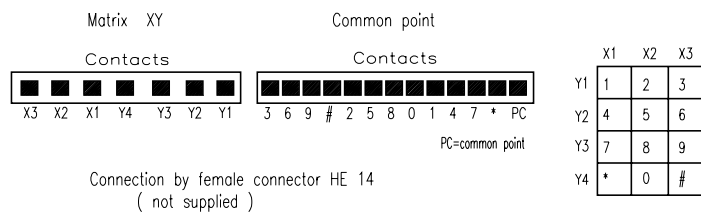
Components Layouts

1 keypad

page ECO.1

12 KEYS – CONNECTOR

(rear view)



2 keypad

page ECO.1

16 KEYS – CONNECTOR

(rear view)

