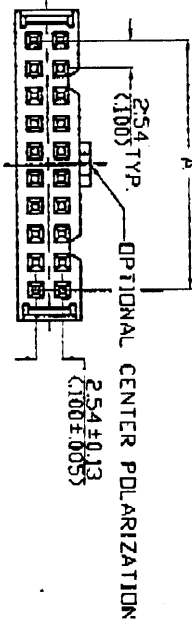
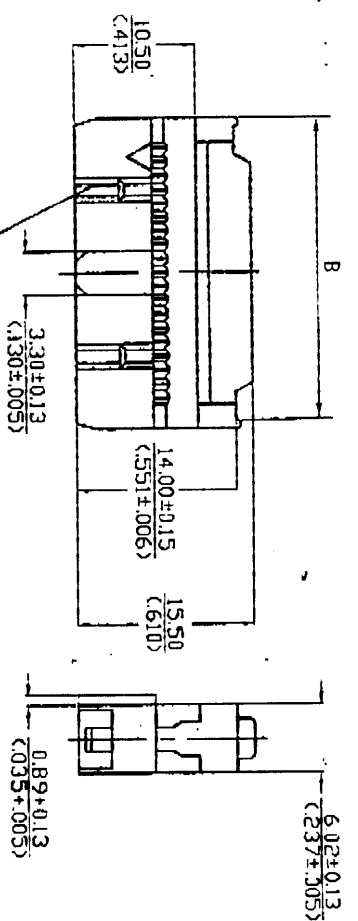
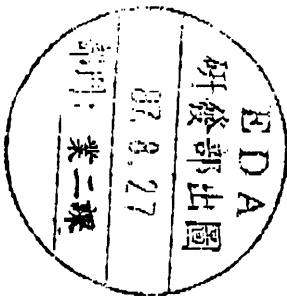


3246280



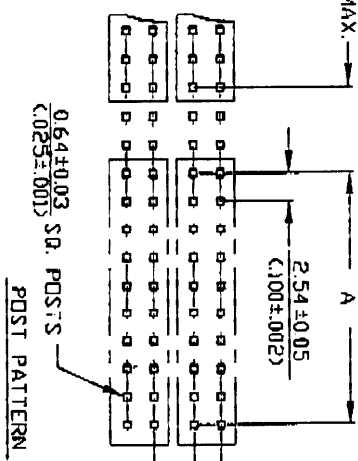
PART NO. 6F D 50 - 3 P 1
 (1) (2) (3) (4) (5) (6) (7)



- 1.SERIES NO. 6F - 100' IDC SOCKET CONNECTOR
- 2.CONSTRUCTION TYPE S - SINGLE ROW D - DOUBLE ROW
- 3.NO. OF CONTACTS EX. 10-10 POSITIONS (10,14,16,20,24,26,30,34,40,50,60,64)
- 4.COLOR CODE
 - 1- BLUE
 - 2- GRAY
 - 3- BLACK
 - 4- WHITE

- 5.CONTACT FINISH
 - 0- GOLD FLASH OVER 50μ NICKEL
 - 2- 15μ GOLD OVER 50 μ NICKEL
 - 3- 30μ GOLD OVER 50 μ NICKEL
- 6.STRAIN RELIEF
 - 0- WITHOUT END CLAMPING COVER
 - N- WITHOUT STRAIN RELIEF WITH OPEN END CLAMPING COVER
 - P- PLASTIC STRAIN RELIEF WITH OPEN END CLAMPING COVER
 - A- WITHOUT STRAIN RELIEF WITH CLOSE END CLAMPING COVER
 - B- PLASTIC STRAIN RELIEF WITH CLOSE END CLAMPING COVER
- 7.CENTER POLARIZATION CODE
 - 0- WITHOUT CENTER POLARIZATION OF HOUSING
 - 1- WITH CENTER POLARIZATION OF HOUSING

SPECIFICATIONS
 CURRENT RATING: 1 AMP
 DIELECTRIC WITHSTANDING VOLTAGE: 5000 V AC MIN. FOR 1 MINUTE
 INSULATION RESISTANCE: 1000MΩ MIN. AT 500 V DC
 WORKING TEMPERATURE: -55°C TO +105°C
 CONTACT RESISTANCE: 30mΩ MAX. MATED
 INSULATOR MATERIAL: GLASS FILLED PBT RESIN, BLACK, UL 94V-0
 CONTACT MATERIAL: BRASS
 DURABILITY: 100 CYCLES
 WIRE SIZE: AWG 28 STRANDED .050(1.27MM) CENTER RIBBON CABLE
 MATING FORCE: 5.75 OZ(163gf) PER CONTACT MAX.
 UNMATING FORCE: 0.70 OZ(20gf) PER CONTACT MIN.
 MATING PIN LENGTH: 200(5.08MM) TO 250(6.35MM) OF .025(6.35MM) SQ. OR ROUND PIN



3.81 MIN. (150) WITHOUT CENTER POLARIZATION
 6.35 MIN. (250) WITH CENTER POLARIZATION

PART NO.	A ± (.005)	B ± (.010)	PART NO.	A ± (.005)	B ± (.010)
6FD10	10.16(4.00)	17.35(6.83)	6FD30	35.56(1.400)	42.75(1.683)
6FD14	15.24(6.00)	22.43(8.83)	6FD34	40.60(1.600)	47.83(1.883)
6FD16	17.78(7.00)	24.97(9.83)	6FD40	48.26(1.900)	55.45(2.183)
6FD20	22.86(9.00)	30.05(1.183)	6FD50	60.96(2.400)	68.15(2.683)
6FD24	27.94(1.100)	35.13(1.383)	6FD60	73.66(2.900)	80.85(3.183)
6FD26	30.48(1.200)	37.67(1.483)	6FD64	78.74(3.100)	85.93(3.383)

MATERIAL	TOLERANCE UNSPECIFIED	SCALE	UNIT
	0.00 ± 0.25	1:1	(INCH) MM
FINISH			

DESIGNER: 吳千禧 6/9/95
 CHECKER: [Signature]
 DRAWING NO. R-S106F-2
 SHEET 1/1

EDA INC.

6F SERIES DOUBLE ROW IDC SOCKET

R-S106F-2

REV. CD

千發部

6F SERIES I.D.C. SOCKET CONNECTORS

FEATURES

- 0.100" x 0.100" socket conforms to MIL-C-83503/7C specifications.
- Single beam contact areas are finished with selective gold plating.
- Ideally applicable for 1.27 mm (0.050") centerline of AWG 28 stranded ribbon cable.
- Strain relief and center polarization on connectors are optional objects.
- Pre-assembled cable crimping cover.
- Available contacts with 10, 14, 16, 20, 24, 26, 30, 34, 40 and 50 positions.

PERFORMANCE CHARACTERISTICS

ELECTRICAL :

- **Current Rating**
: 1 Amp
- **Dielectric Withstanding Voltage**
: AC 500 V min. (For 1 minute)
- **Insulation Resistance**
: 1000 MΩ min. (At 500V DC)
- **Contact Resistance**
: 20 mΩ max. mated
- **Working Temperature**
: -55°C to +105°C

MECHANICAL :

- **Insulator Material**
: Glass filled PBT resin (UL 94V-0)
- **Contact Material**
: Brass
- **Contact Finish**
: Gold over nickel
- **I.D.C. Terminal Finish**
: Tin-lead over nickel or gold over nickel
- **Durability**
: 100 Cycles min.
- **Wire Size**
: AWG 28 stranded, 1.27 mm conductor center ribbon cable
- **Mating Force**
: 227 gf (8.0 oz) per contact max.
- **Unmating Force**
: 43 gf (1.5 oz) per contact min.
- **Mating Pin Size**
: 5.08 mm (0.20") to 6.35 mm (0.25") length of 0.64 mm (0.025") square or round pin.

ORDERING INFORMATION

