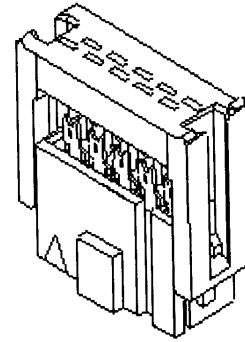


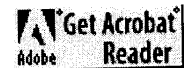
Part Detail Page

352-5855 100mm  
 Home | Series 90635  
 352-5922 200mm  
 352-5995 300mm  
 352-6069 400mm

**1.27mm (.050") QF 50™, Vertical, MIL/DIN Version  
 Receptacle  
 90635**



[Click here for 2D](#)



Download free Acrobat Reader to view PDF files.

This product was designed in millimeters  
 Designed in dimensions refer to the 2-D drawing shown below.  
[Click Here to view in inches.](#)

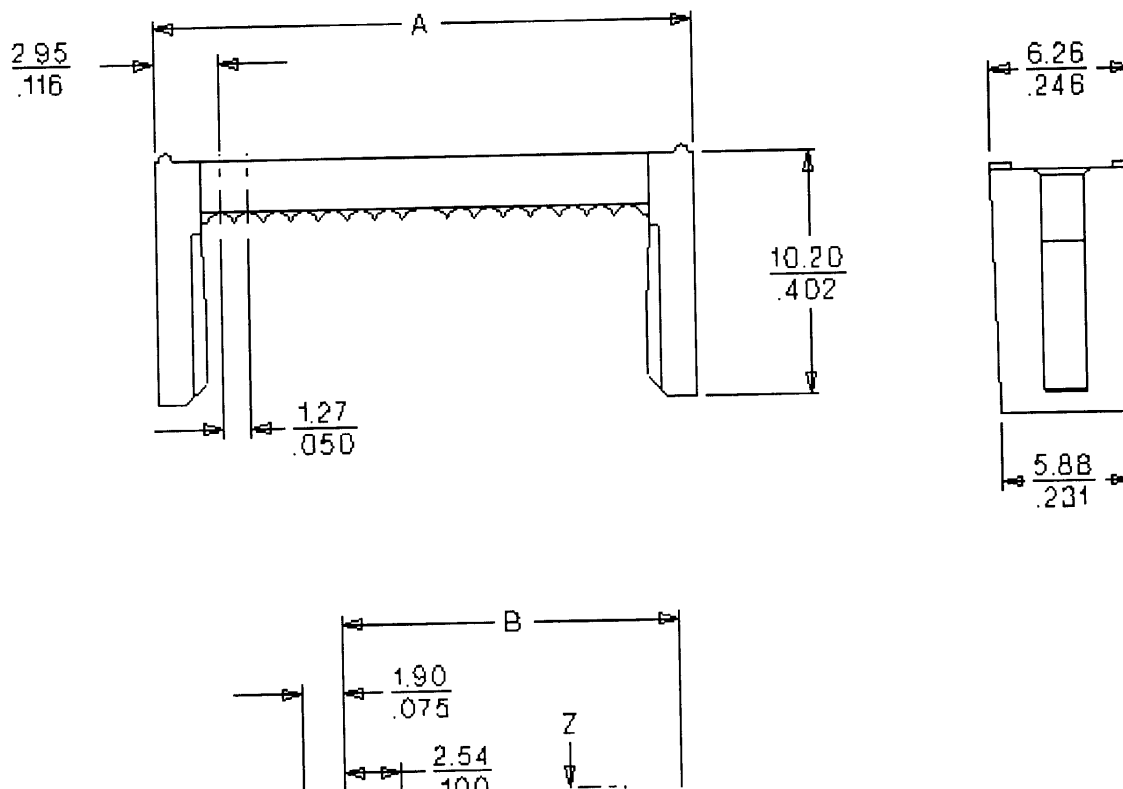
Warning: Converting to inches may cause rounding errors. Please see sales drawing for more detailed information.

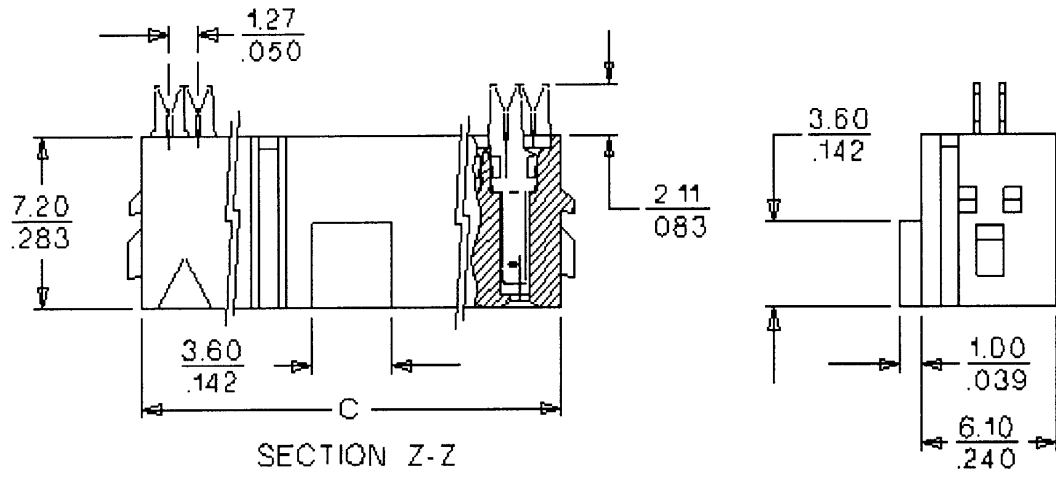
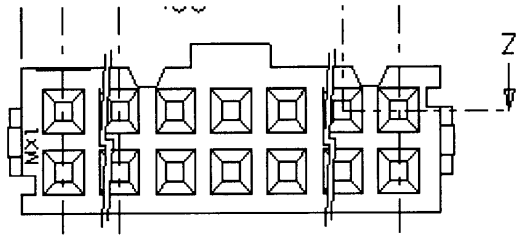
**DOCUMENTS**

**PART INFORMATION**

|                                | 3D Model           | Sales Drawing (.pdf) | Molex Part No | Circuits | Plating Material | Polarization | Plating Thickness (μ) | Part Status |
|--------------------------------|--------------------|----------------------|---------------|----------|------------------|--------------|-----------------------|-------------|
| <a href="#">Sample Request</a> | <a href="#">3D</a> | <a href="#">SD</a>   | 90635-1162    | 16       | Au (Gold)        | Yes          | .76                   | Active      |

[Click Here to view all parts for series 90635](#)





[Home](#) | [Series 90635](#)

© Copyright 2001 Molex

[Help](#) [Feedback](#) [Legal Notices](#)