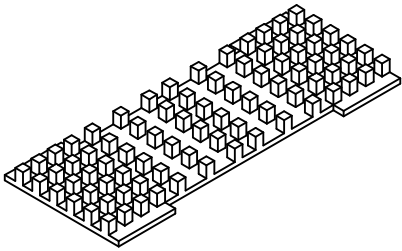
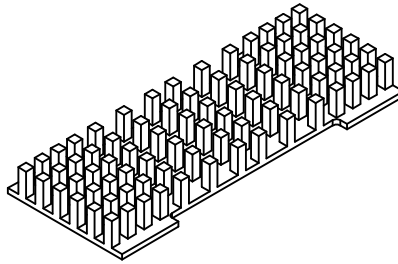


PCI HEIGHT



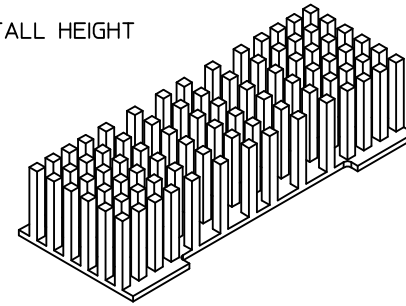
PART NUMBER - 747360240
 DIMENSION A - 4.2mm
 POWER LEVEL - UP TO 1.5W
 THERMAL RESISTANCE @ 200 LFM - <18.0 C/W

SAN HEIGHT

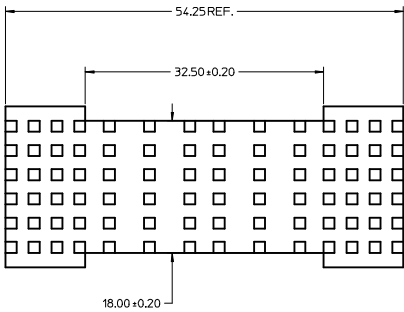


PART NUMBER - 747360241
 DIMENSION A - 6.5mm
 POWER LEVEL - UP TO 2.5W
 THERMAL RESISTANCE @ 200 LFM - <11.5 C/W

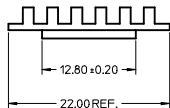
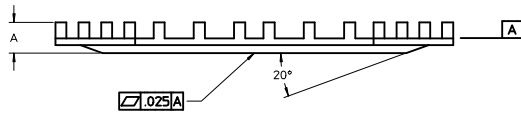
TALL HEIGHT



PART NUMBER - 747360242
 DIMENSION A - 13.5mm
 POWER LEVEL - UP TO 3.5W
 THERMAL RESISTANCE @ 200 LFM - <8.0 C/W



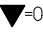
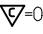
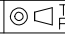
MATERIAL: ALUMINUM
 FINISH: BLACK ANODIZE
 CONFORMS TO XFP MSA REVISION 4.0
 CUSTOM DESIGNS AVAILABLE



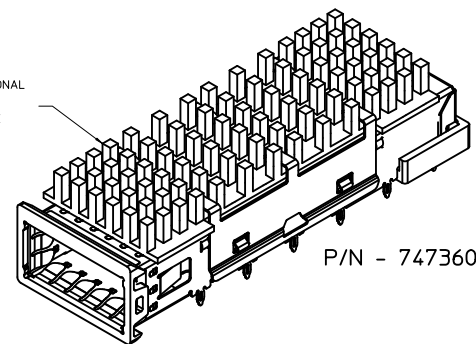
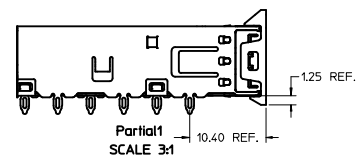
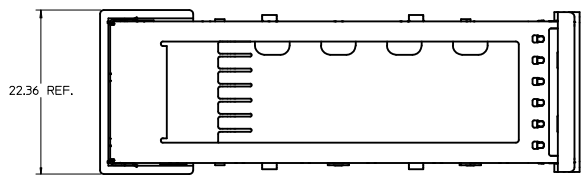
REDRAWN EC NO: USY2010-0023 DRAWN: ERWIN 2009/07/28 CHKD: HIRSCHY 2009/07/31 APPR: MONDIE 2009/08/03 REV:	QUALITY SYMBOLS	GENERAL TOLERANCES (UNLESS SPECIFIED)	DIMENSION STYLE	SCALE	DESIGN UNITS	THIRD ANGLE PROJECTION
	▽=0 ▽=0	mm INCH 4 PLACES ± --- ± --- 3 PLACES ± --- ± --- 2 PLACES ± 0.13 ± --- 1 PLACE ± 0.25 ± --- ANGULAR ± 2 °	MM ONLY	3:1	METRIC	☉ THIRD ANGLE PROJECTION
	DESCRIPTION	DRAFT WHERE APPLICABLE MUST REMAIN WITHIN DIMENSIONS	DRAWN BY DATE KLOYD 2004/06/11 CHECKED BY DATE BRUSSELL 2004/08/05 APPROVED BY DATE BRUSSELL 2004/08/05	TITLE	XFP CAGE, PIN FIN HEAT SINKS	
	SEE DRAWING THIS DRAWING CONTAINS INFORMATION THAT IS PROPRIETARY TO MOLEX INCORPORATED AND SHOULD NOT BE USED WITHOUT WRITTEN PERMISSION	MATERIAL NO.	DOCUMENT NO.	MOLEX INCORPORATED SD-74736-0240		SHEET NO.

20 19 18 17 16 15 14 13 12 11 10 9 8 7 6 5 4 3 2 1

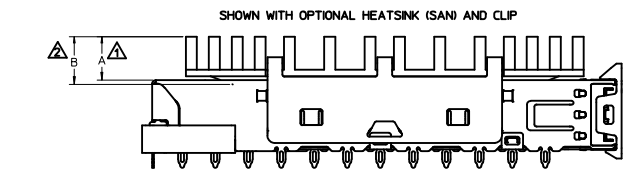
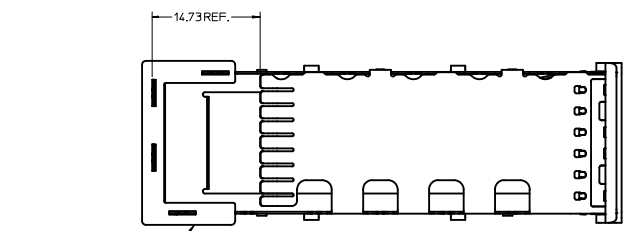
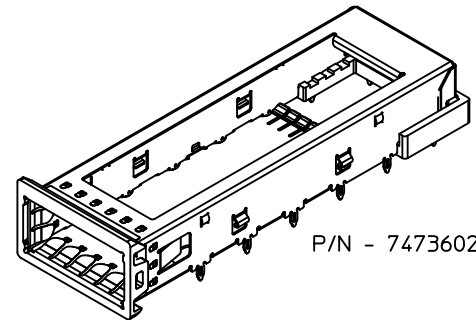
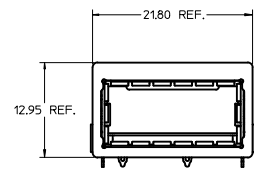
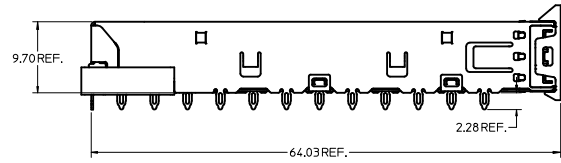
DATE	REV	DESCRIPTION
2004/06/11	A	INITIAL RELEASE
2008/08/18	B	1. ADDED REVISION HISTORY
		2. 6.5mm DIMENSION WAS 6.50mm
		3. 4.2mm DIMENSION WAS 4.20mm

REDRAWN IEC NO. USY2010-0023 DRAWN: LERMIN 2009/07/28 CHECKED: HIRSCHY 2009/07/31 APPR: KRONDE 2009/08/03	QUALITY SYMBOLS  = 0  = 0	GENERAL TOLERANCES (UNLESS SPECIFIED)		DIMENSION STYLE MM ONLY	SCALE METRIC	DESIGN UNITS METRIC	 THIRD ANGLE PROJECTION		
		4 PLACES ± --- ± --- 3 PLACES ± --- ± --- 2 PLACES ± 0.13 ± --- 1 PLACE ± 0.25 ± ---	mm INCH	DRAWN BY KLLOYD	DATE 2004/06/11	TITLE XFP CAGE, PIN FIN HEAT SINKS			
		ANGULAR ± 2 °		CHECKED BY BRUSSELL	DATE 2004/08/05	APPROVED BY BRUSSELL			
		DRAFT WHERE APPLICABLE MUST REMAIN WITHIN DIMENSIONS		MATERIAL NO. SEE DRAWING	DATE 2004/08/05	DOCUMENT NO. SD-74736-0240		SHEET NO. 2 OF 2	

19 18 17 16 15 14 13 12 11 10 9 8 7 6 5 4 3 2 1



HEATSINK SINK AND CLIP ARE OPTIONAL
SEE CHART FOR HEATSINK OPTIONS
CUSTOM HEATSINKS ARE AVAILABLE

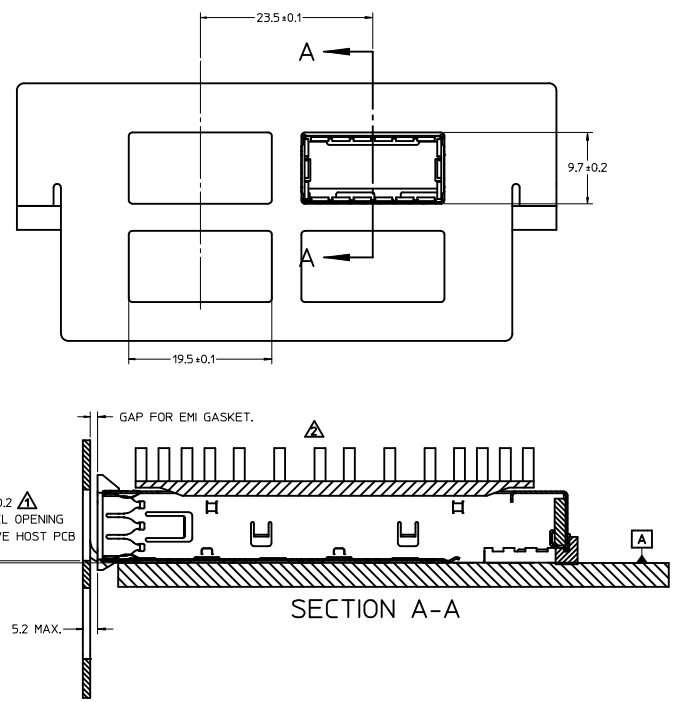
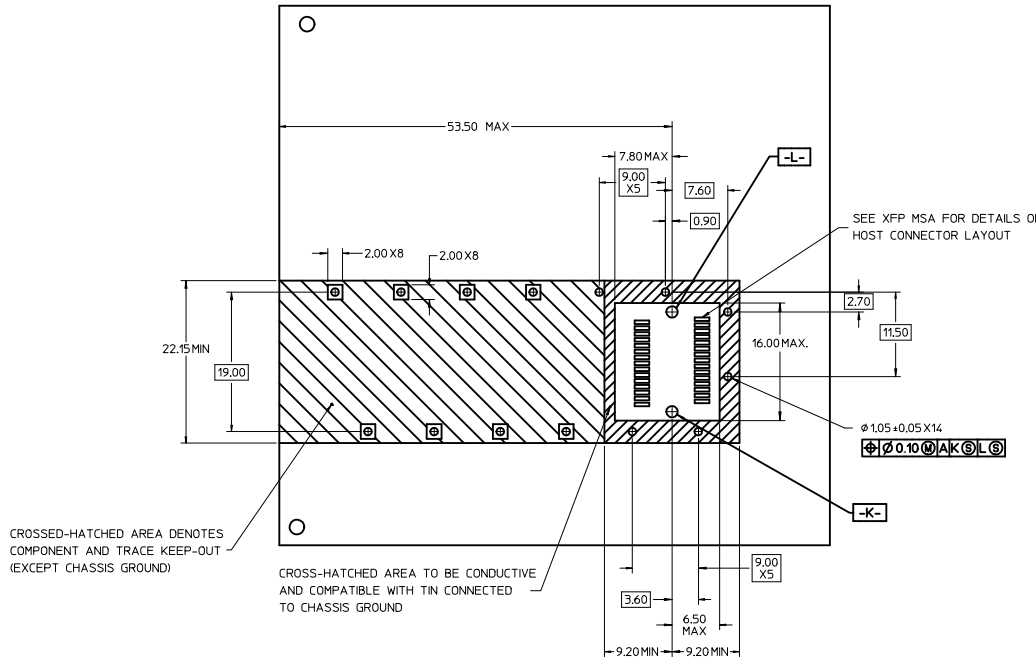


PART NUMBER FOR XFP CAGE ASSEMBLY & PARTS

P/N	DIM A	DIM B	DESCRIPTION	POWER LEVEL	THERMAL RESISTANCE @200 LFM
747360220	N/A	N/A	XFP CAGE WITH NO HEATSINK OR CLIP	N/A	N/A
747360221	4.0	4.2	XFP CAGE WITH PCI HEATSINK	UP TO 1.5W	<18.0 C/W
747360222	6.3	6.5	XFP CAGE WITH SAN HEATSINK (SHOWN)	UP TO 2.5W	<11.5 C/W
747360223	13.3	13.5	XFP CAGE WITH TALL HEATSINK	UP TO 3.5W	<8.0 C/W
747360230	N/A	N/A	HEATSINK CLIP ONLY	N/A	N/A
747360240	N/A	N/A	PCI HEATSINK ONLY	UP TO 1.5W	<18.0 C/W
747360241	N/A	N/A	SAN HEATSINK ONLY	UP TO 2.5W	<11.5 C/W
747360242	N/A	N/A	TALL HEATSINK ONLY	UP TO 3.5W	<8.0 C/W

- ▲ MAXIMUM HEIGHT OF HEATSINK WITH MODULE INSERTED
- ▲ OVERALL HEIGHT OF HEATSINK
- 3. OTHER HEATSINK DESIGNS ARE AVAILABLE INCLUDING CUSTOM DESIGNS

ADDED 16.00 MAX DIM EC NO: USY2010-0268 DRAWN: ERWIN 2009/11/18 CHECKED BY: CHYKOA JOHNSTON 2009/11/20 APPROVED BY: APPR:RAHMWOOD 2009/12/22	QUALITY SYMBOLS ▼=0 ▽=0	GENERAL TOLERANCES (UNLESS SPECIFIED): mm INCH 4 PLACES ±.--- ±.--- 3 PLACES ±.--- ±.--- 2 PLACES ±0.10 ±.--- 1 PLACE ±.--- ±.--- ANGULAR ± 1°	DIMENSION STYLE MM ONLY	SCALE 3:1	DESIGN UNITS METRIC	THIRD ANGLE PROJECTION
	DRAFT WHERE APPLICABLE MUST REMAIN WITHIN DIMENSIONS		DRAWN BY: KLOYD DATE: 2004/05/14 CHECKED BY: BRUSSELL DATE: 2004/08/05 APPROVED BY: BRUSSELL DATE: 2004/08/05	TITLE XFP CAGE ASSEMBLY	MOLEX INCORPORATED	
	SEE CHART		MATERIAL NO. SD-74736-220	DOCUMENT NO.		SHEET NO. 1 OF 2
	THIS DRAWING CONTAINS INFORMATION THAT IS PROPRIETARY TO MOLEX INCORPORATED AND SHOULD NOT BE USED WITHOUT WRITTEN PERMISSION					



▲ FOR PCI APPLICATIONS RECOMMENDED DIMENSION IS 0.4 ± 0.1

▲ FLAT ROCK TOOLING CAN BE USED TO PRESS CAGE IN WITH OR WITHOUT HEATSINK

▲ BOTTOM OF PCB SHOULD BE PROPERLY SUPPORTED

▲ INSERTION FORCE MAX: 100LBS (WITH ANY PCB PLATING)

ADDED 16.00 MAX DIM EC NO: USY2010-0268 DRAWN: LERMIN 2009/11/18 CHKD: A.JOHNSON 2009/11/20 APPR: R.MAHMOOD 2009/12/22	QUALITY SYMBOLS ▽=0 ▽=0		GENERAL TOLERANCES (UNLESS SPECIFIED) DIMENSION STYLE MM ONLY		SCALE 3:1	DESIGN UNITS METRIC	THIRD ANGLE PROJECTION
	4 PLACES	±	mm	±	DATE	TITLE	
	3 PLACES	±	INCH	±	2004/05/14	XFP CAGE ASSEMBLY	
	2 PLACES	±	0.10	±	DATE		
1 PLACE	±		±	2004/08/05			
ANGLULAR ± 1 °			DRAFT WHERE APPLICABLE MUST REMAIN WITHIN DIMENSIONS		MATERIAL NO. SEE CHART		
MOLEX INCORPORATED					DOCUMENT NO. SD-74736-220		
SHEET NO. 2 OF 2					THIS DRAWING CONTAINS INFORMATION THAT IS PROPRIETARY TO MOLEX INCORPORATED AND SHOULD NOT BE USED WITHOUT WRITTEN PERMISSION		