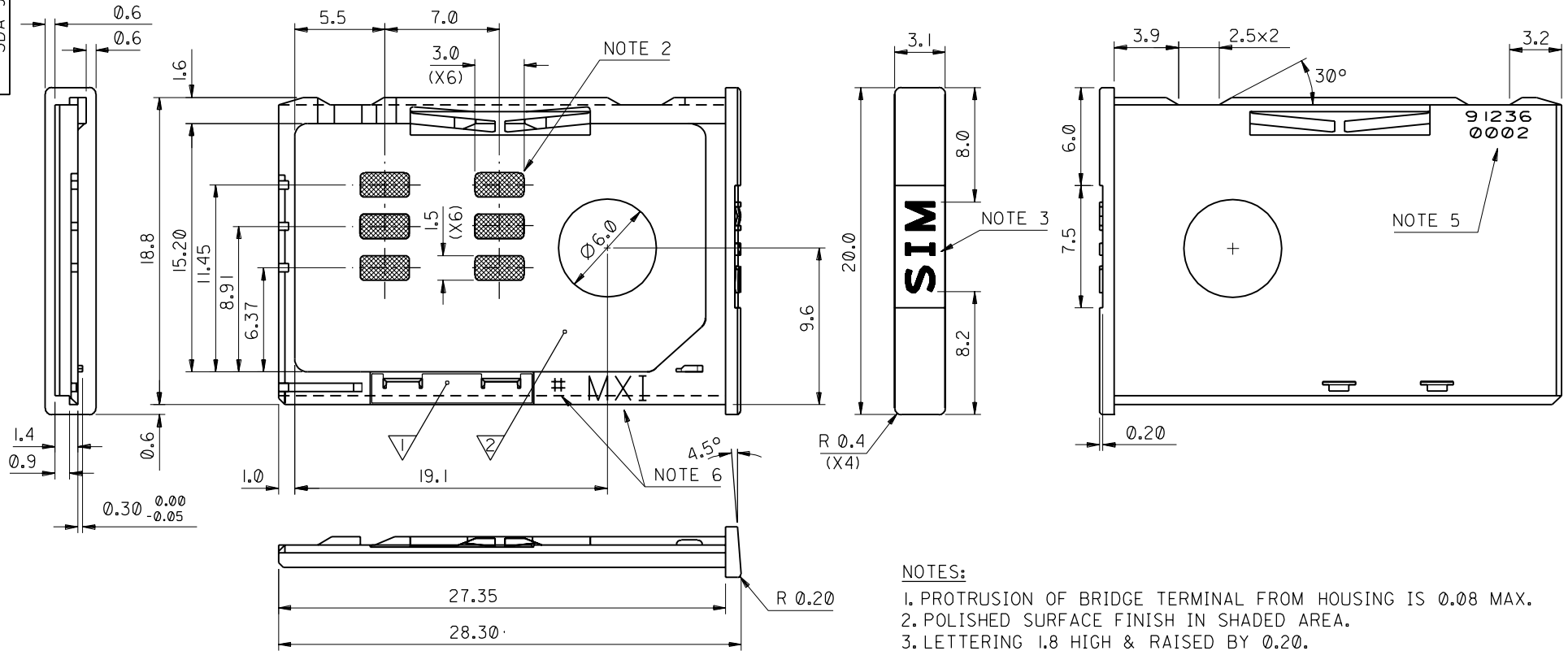


PART NO. 91236-0002
 DWG. NO. SDA-91236



- NOTES:**
1. PROTRUSION OF BRIDGE TERMINAL FROM HOUSING IS 0.08 MAX.
 2. POLISHED SURFACE FINISH IN SHADED AREA.
 3. LETTERING 1.8 HIGH & RAISED BY 0.20.
 4. SEE PRODUCT SPECIFICATION PS-99020-0071.
 5. PART I.D. TO BE 0.8 HIGH & RELIEVED 0.1 BELOW SURFACE.
 6. MOLEX LOGO 'MXI' & CAVITY NUMBER '#' TO BE 1.0 HIGH & RAISED 0.1max ABOVE SURFACE

ITEM	COMPONENT	QTY	MATERIAL
1	TERMINAL	1	0.15 PHOSPHOR BRONZE 0.1um MIN Au OVER Pd/Ni IN CONTACT AREA
2	HOUSING	1	GF PBT, BLACK

FOR PREVIOUS
 DRAWING ISSUES
 SEE MRI.

SEE SHEET 1.
 EC NO.
 DRAWN: FDUCCAN 01/12/10
 CHK:
 APPR:

REV	DESCRIPTION
G	

QUALITY SYMBOLS	GENERAL TOLERANCES: (UNLESS SPECIFIED)
MAJOR =	mm INCH
CRITICAL =	4 PLACES ±0. mm ±. INCH
	3 PLACES ±0. mm ±. INCH
	2 PLACES ±0.05 mm ±. INCH
	1 PLACE ±0.10 mm ±. INCH
	ANGULAR: ± °

SCALE	DESIGN UNITS
4:1	<input checked="" type="checkbox"/> mm <input type="checkbox"/> INCH
DRAWN BY & DATE FINDORAK 00/08/28	
CHECKED BY & DATE D.HANNON 00/08/28	
APPROVED BY & DATE M.WILHITE 00/08/28	
CAD FILENAME S91236X2.DGN	

DIMENSIONS:		SHT	REV
<input type="checkbox"/> mm	<input type="checkbox"/> INCH		
<input type="checkbox"/> INCH	<input type="checkbox"/> mm		
<input checked="" type="checkbox"/> mm	<input checked="" type="checkbox"/> ONLY		
THIRD ANGLE PROJECTION			
TITLE: CARD HOLDER			
MATERIAL NO. 91236-0002		DRAWING NO. SDA-91236	SHEET NO. 2 OF
DRAFT WHERE APPLICABLE MUST REMAIN WITHIN DIMENSIONS		THIS DRAWING CONTAINS INFORMATION THAT IS PROPRIETARY TO MOLEX INCORPORATED AND SHOULD NOT BE USED WITHOUT WRITTEN PERMISSION.	
		SIZE B	