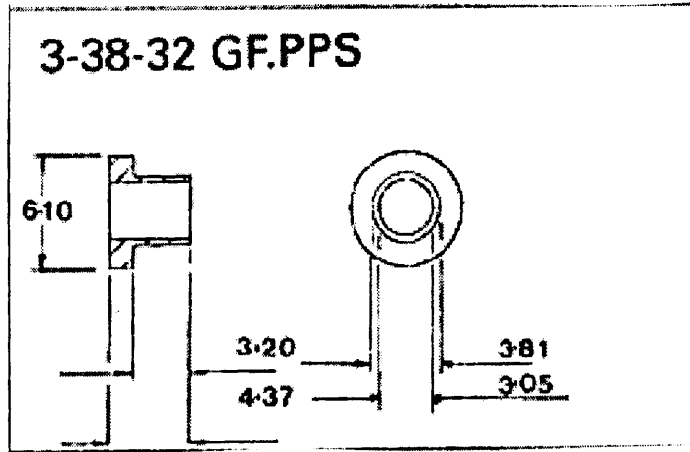
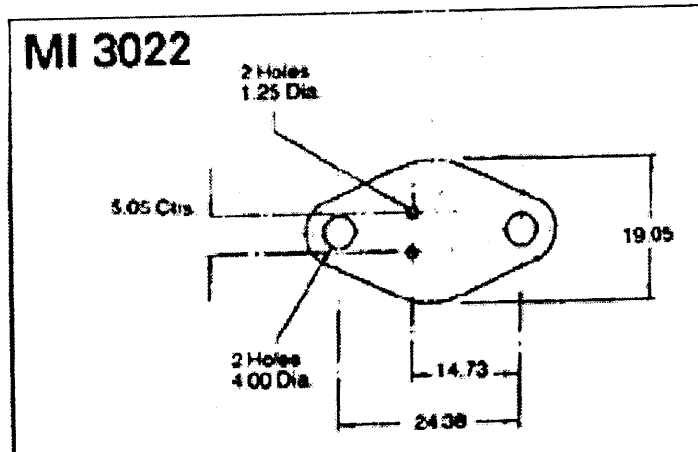


FARNELL INONE  
CODE 520172  
MAN N° MK3301

THIS CONSISTS OF THE  
PRODUCTS BELOW.



X 2 OFF



X 1 OFF

0.05 TO 0.10 THICK