

4200 Series

Insertable Legend Keypads



4214A1



4234A1



4244A1

Adhesive backed for easy mounting

Allows for custom legends

Legends easily swapped

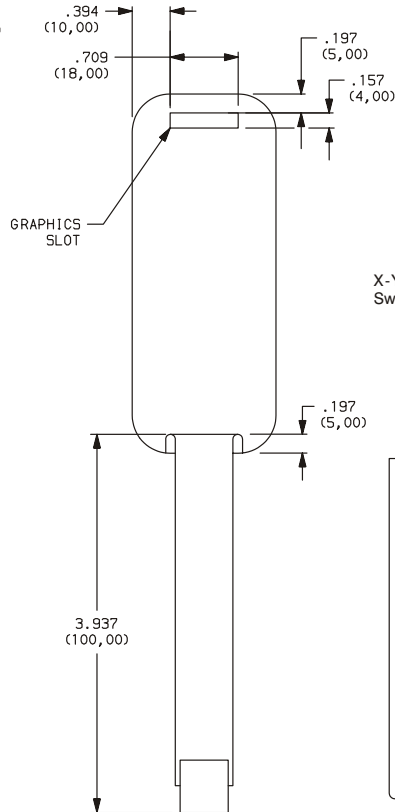
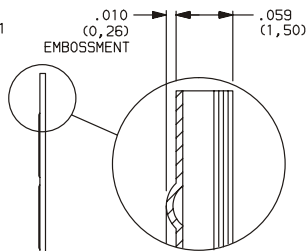
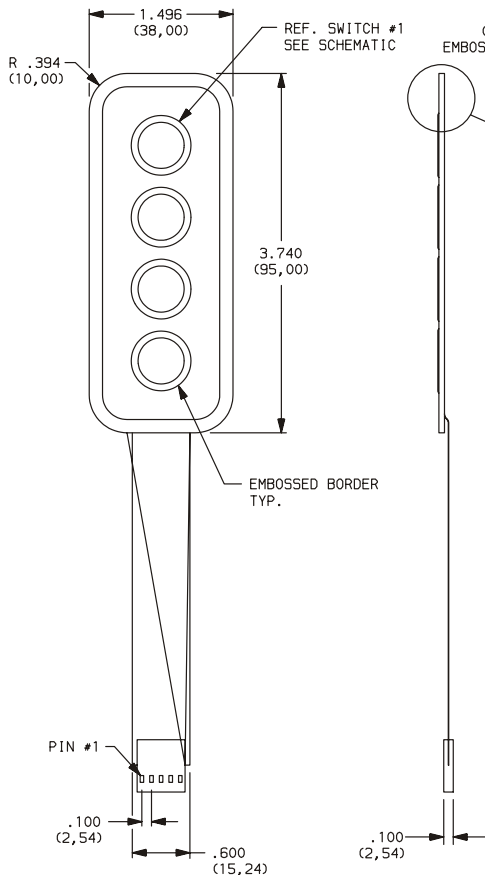
Tactile feedback on all keys

Rim embossed keys for finger placement

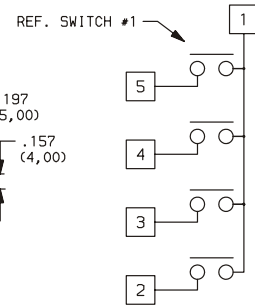
Splashproof, sealed switches

1 x 4 Array, 4 Keys

PART NO.	DETENT	CONNECTOR
4214A1	YES	FEMALE

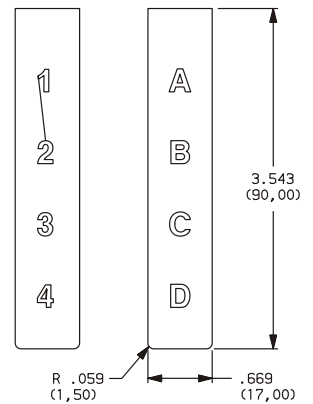


Schematic



X-Y Matrix output circuit configuration
Switch function - SPST N.O. Momentary.

Graphics



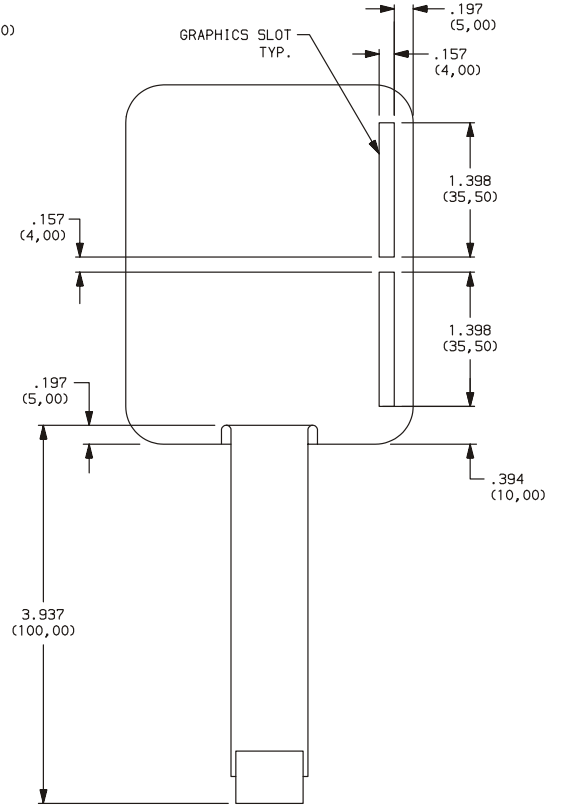
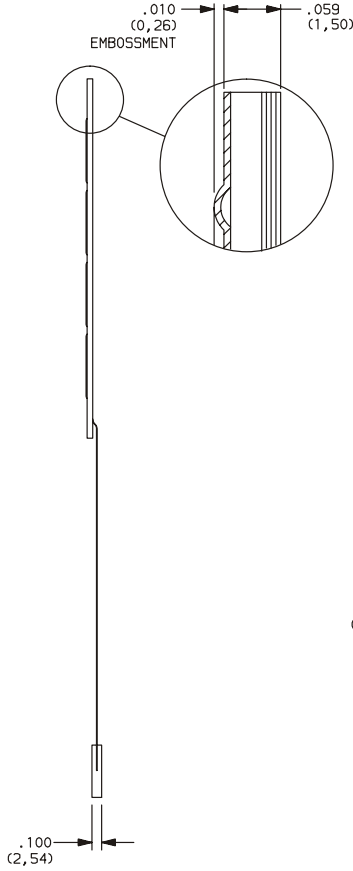
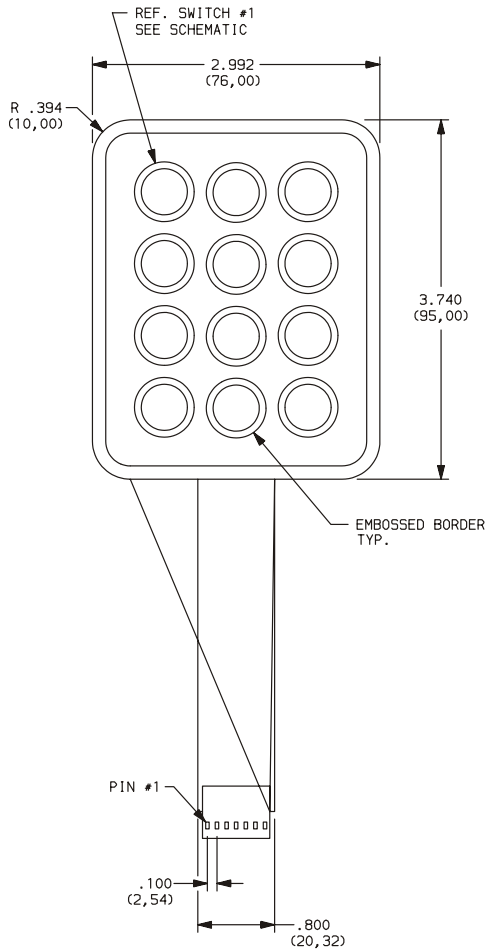
BOTH INSERTS SUPPLIED
WITH EACH KEYPAD

4200 Series

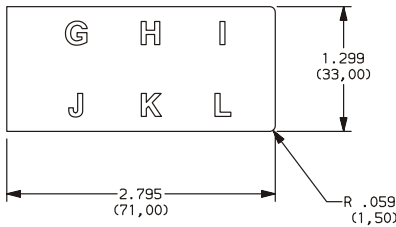
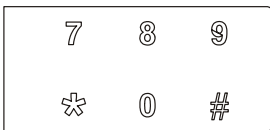
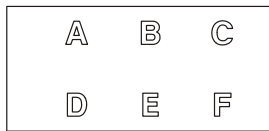
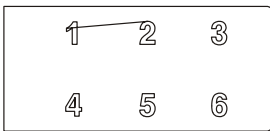
Insertable Legend Keypads

3 x 4 Array, 12 Keys

PART NO.	DETENT	CONNECTOR
4234A1	YES	FEMALE

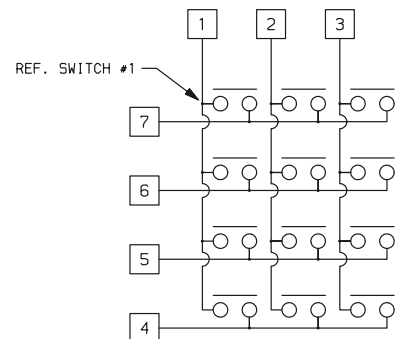


Graphics



ALL (4) INSERTS SUPPLIED WITH EACH KEYPAD

Schematic



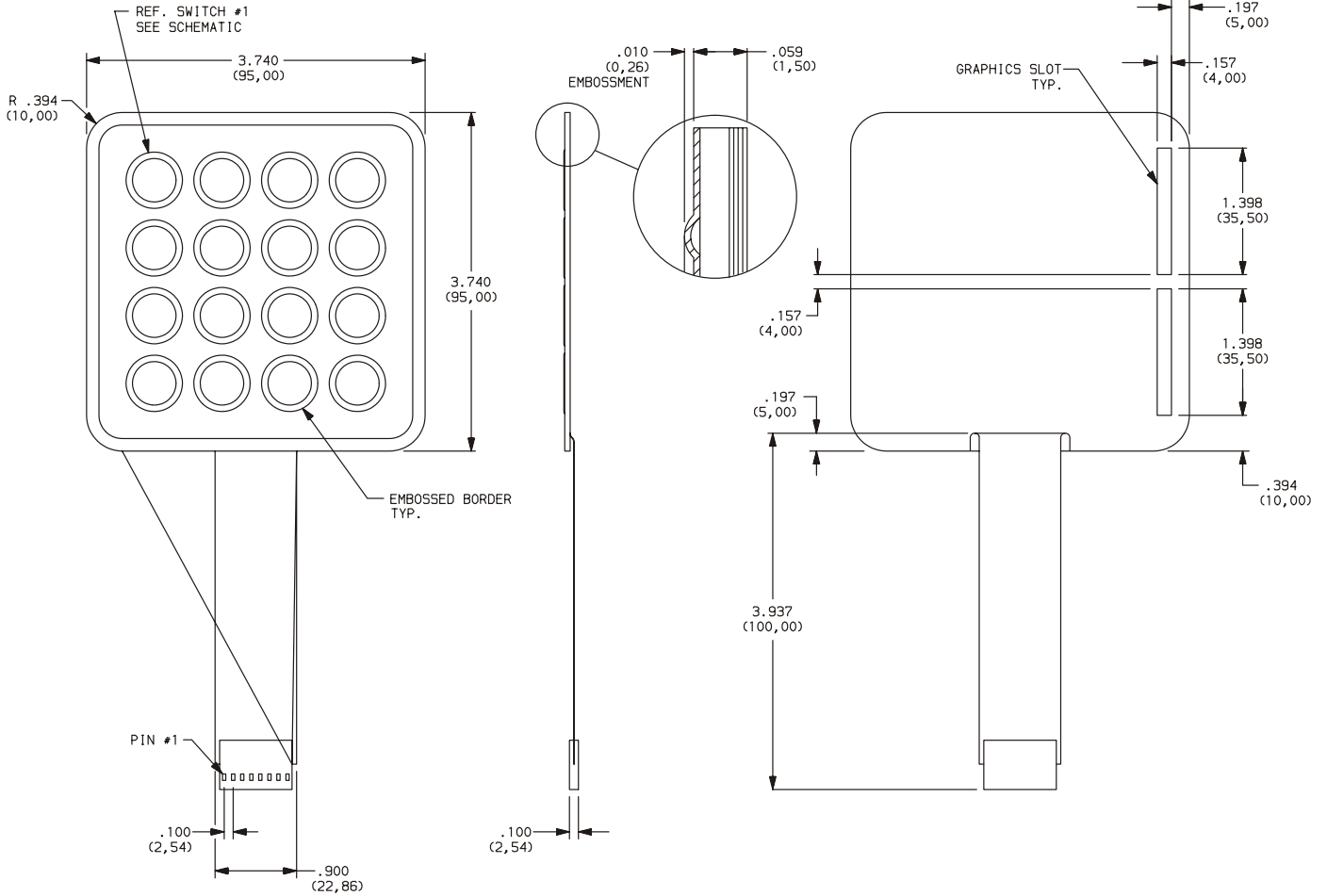
X-Y Matrix output circuit configuration
Switch function - SPST N.O. Momentary.

4200 Series

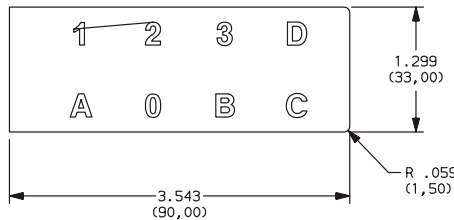
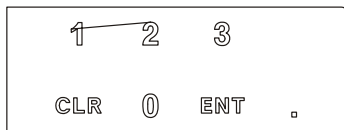
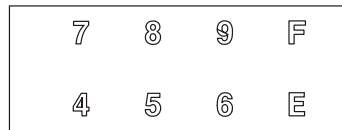
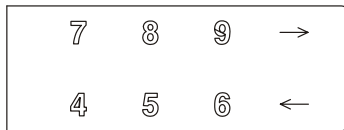
Insertable Legend Keypads

4 x 4 Array, 16 Keys

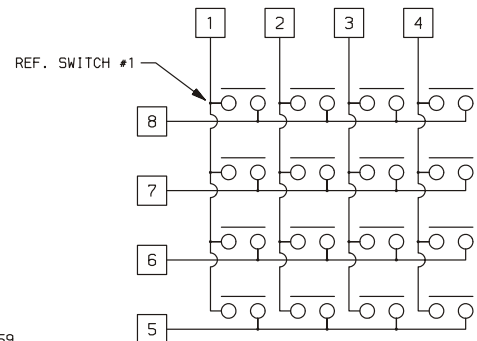
PART NO.	DETENT	CONNECTOR
4244A1	YES	FEMALE



Graphics



Schematic



X-Y Matrix output circuit configuration
Switch function - SPST N.O. Momentary.

ALL (4) INSERTS SUPPLIED
WITH EACH KEYPAD

HOW TO ORDER

SPECIFICATIONS

SWITCH FUNCTION: SPST, momentary, normally open.

CONTACT RATING: 0.5 VA, 100 mA, 30 V DC max.

ACTUATION FORCE: 300 – 50 grams.

INSULATION RESISTANCE: 5 megohms min.

DIELECTRIC STRENGTH: 250 V RMS min.

CAPACITANCE: 10 pF typ.

CONTACT BOUNCE: Below 10 msec. typ.

TRAVEL: 0.63 – 0.76mm (0,025 – 0,030) typ.

STORAGE TEMPERATURE: –40 °C to 60 °C.

OPERATING TEMPERATURE: –30 °C to 60 °C.

MATERIALS

OVERLAY: Polyester/polycarbonate blend with uniform low gloss fine texture.

CONTACTS AND CIRCUITS: Silver conductive PTF traces on heat stabilized polyester film.

CONNECTOR: Single row female connector, tin lead plating.

NOTE: Specifications and materials listed above are general specifications. Specifications available for specific and custom switches, consult factory.
