

157 818

**multicomp**  
SPECIFICATION AND APPROVALS

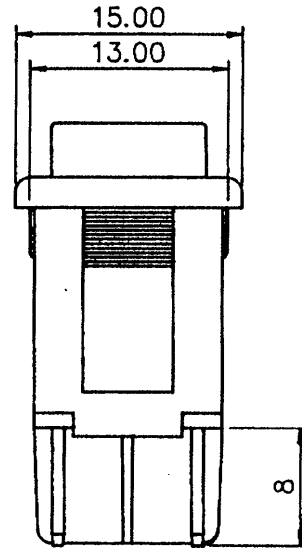
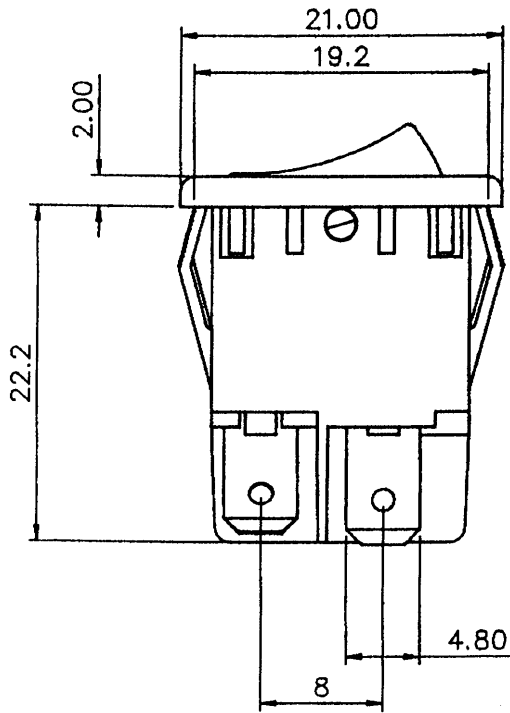
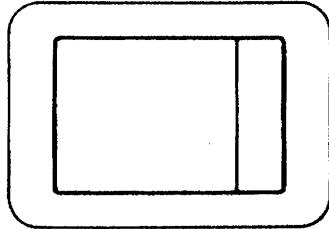
- |     |                       |   |   |                                |
|-----|-----------------------|---|---|--------------------------------|
| 1)  | Model Number          | : | 33F   | MC 3811-091-05                 |
|     |                       |   | Multicomp   | PN#157-818                     |
| 2)  | Description           | : | Rocker Switch   | B/Lm Grn-S Illum, QC Terminals |
| 3)  | Name of Manufacturer  | : | Swann Industries Pte Ltd                                      |                                |
| 4)  | Rating                | : | <u>Approval</u>   | <u>Certificate No.</u>         |
|     |                       |   | UL  | E59618                         |
|     |                       |   |   | <u>Rating</u>                  |
|     |                       |   |   | - 16A 125VAC                   |
|     |                       |   |   | - 8A 250VAC                    |
|     |                       |   |   | - 16A 12VDC                    |
|     |                       |   |   | - 10A 250VAC (Res)             |
|     |                       |   | CSA   | LR 52381                       |
|     |                       |   |   | - 16A 125VAC                   |
|     |                       |   |   | - 8A 250VAC                    |
|     |                       |   | VDE   | 80667                          |
|     |                       |   |   | - 10(6)A 250VAC                |
|     |                       |   | SEMKO   | 9706164                        |
|     |                       |   |   | - 10(6)A 250VAC                |
| 5)  | Contact Resistance    | : | $20 \times 10^{-3} \Omega$                                    |                                |
| 6)  | Insulation Resistance | : | $> 50 \times 10^6 \Omega$                                     |                                |
| 7)  | Dielectric Strength   | : | Up To 3.5kVAC   |                                |
| 8)  | Mechanical Endurance  | : | >100,000 cycles   |                                |
| 9)  | Circuit               | : | SPST, DPST.<br>Illumination (Optional).                       |                                |
| 10) | Recommended Panel     | : | <u>Thickness (mm)</u>   | <u>Cut-Out Size(mm)</u>        |
|     | Cut-out               |   | 1.0 (min)   | 19.3 x 13.0                    |
|     |                       |   | 3.0 (max)   | 19.5 x 13.0                    |
| 12) | Terminal              | : | 4.8mm Quick Connect<br>PC Tail / Angle PC Tail<br>Solder Tail |                                |

Issued by :

Date : 25 September 1998

© COPYRIGHT 1998 BY SPC TECHNOLOGY.  
 ALL RIGHTS RESERVED. NO PORTION OF  
 THIS PUBLICATION, WHETHER IN WHOLE  
 OR IN PART CAN BE REPRODUCED  
 WITHOUT THE EXPRESS WRITTEN CONSENT  
 OF SPC TECHNOLOGY.

REVISIONS			DOC. NO. SPC-F004, Total Pages: 2 Effective: 7/15/97. DCP No: 228 Supersedes DCP No: 103					
DCP #	REV	DESCRIPTION	DRAWN	DATE	CHECKD	DATE	APPRVD	DATE



APPROVALS



SPC-F004.DWG

**DISCLAIMER**  
 ALL STATEMENTS AND TECHNICAL INFORMATION CONTAINED HEREIN ARE BASED UPON INFORMATION AND/OR TESTS WE BELIEVE TO BE ACCURATE AND RELIABLE. SINCE CONDITIONS OF USE ARE BEYOND OUR CONTROL, THE USER SHALL DETERMINE THE SUITABILITY OF THE PRODUCT FOR THE INTENDED USE AND ASSUME ALL RISK AND LIABILITY WHATSOEVER IN CONNECTION THEREWITH.

**multicomp**

DRAWN BY:	DATE:	DRAWING TITLE: ROCKER SWITCH MC 3811-091-05 33F	MULTICOMP PN: 157-818			
	DATE:		SIZE	DWG. NO.	ELECTRONIC FILE	REV
	CHECKED BY:	DATE:	SCALE: 2 : 1		U.O.M.:	SHEET: 1 OF
APPROVED BY:	DATE:					