

MICRO SWITCH

A DIVISION OF MILWAUKEE-HONEYWELL REGULATOR COMPANY
MILWAUKEE, WISCONSIN

FED. MFR. CODE 91929

PACKET

CATALOG LISTING

★ 3PA1

S

(M) 3PA1
ISSUE 3

REPLACES

3PA1

RELEASE NO.

DRAWING NUMBER

ISSUE

7

CHECK

REVISIONS

A C.O. 8520
K.A.F.
8 MAY 57

B CO17271
L.E.B.
12 SEPT 63

C CO54735
TSK
25 NOV 85

D CO73014
G.J.W.
29 JUL 92

CHECK

14 MAY 57

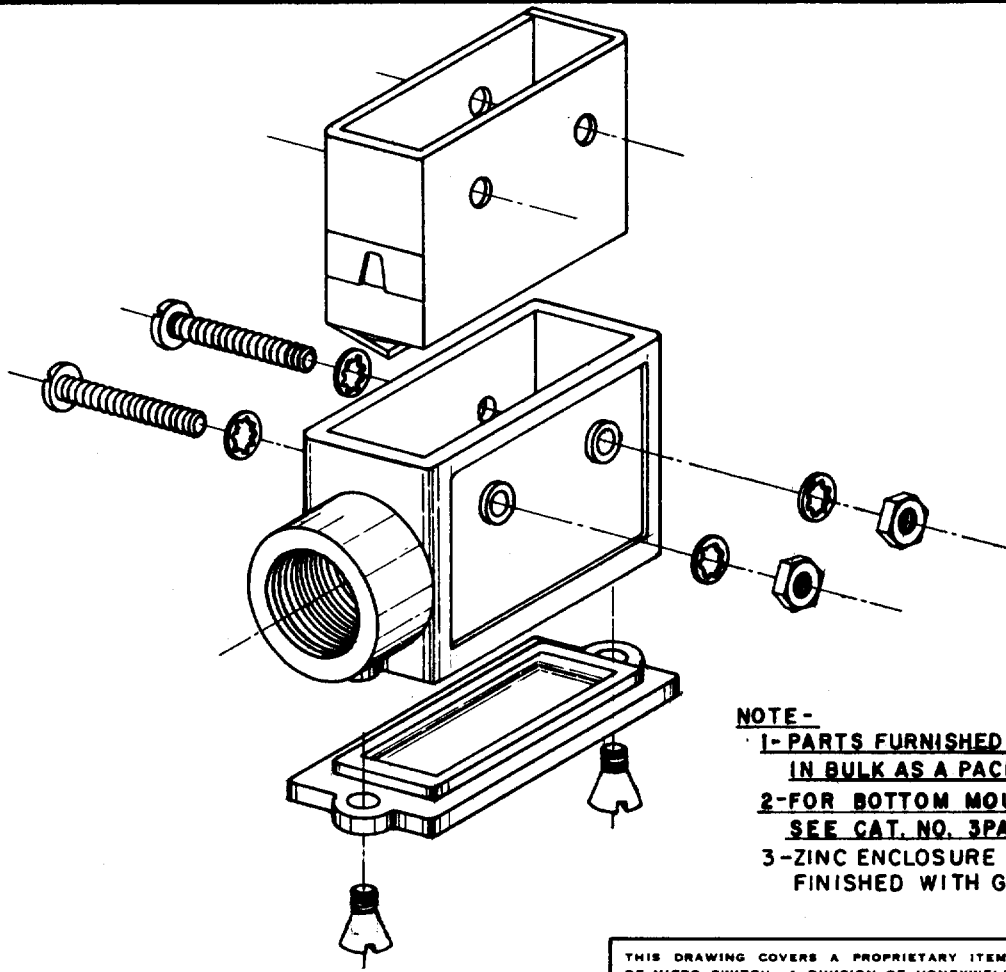
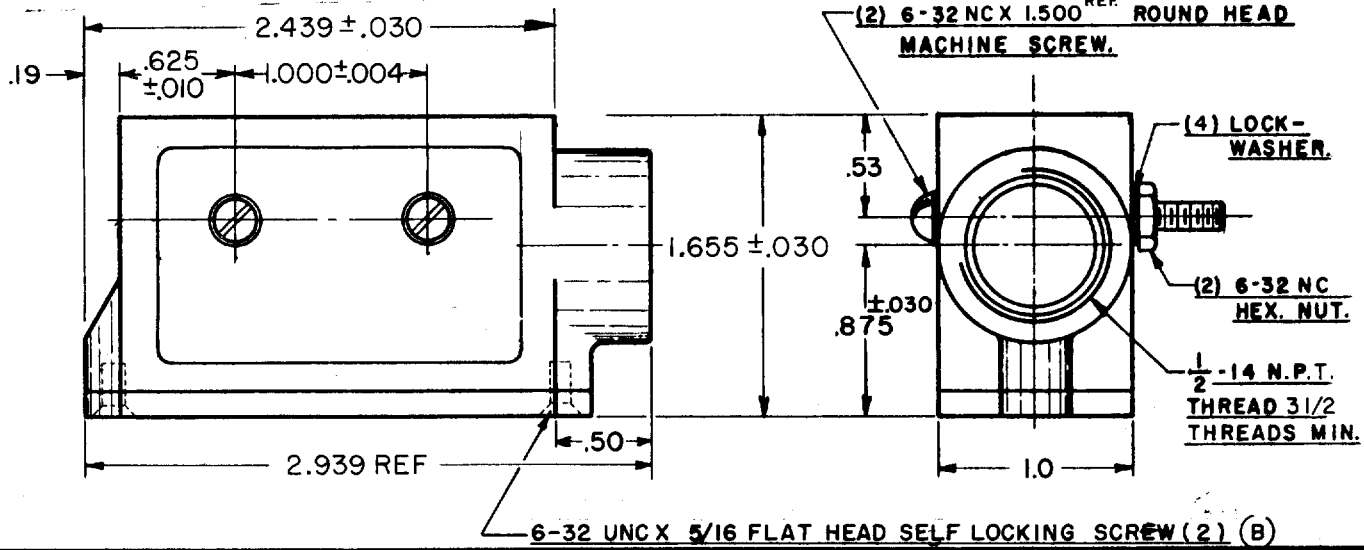
13 MAY 57

CHECK

8 MAY 57

DRAWN

FO-80378



NOTE -
 1- PARTS FURNISHED UNASSEMBLED
 IN BULK AS A PACKET.
 2-FOR BOTTOM MOUNTING UNIT
 SEE CAT. NO. 3PA2.
 3-ZINC ENCLOSURE
 FINISHED WITH GRAY PAINT

THIS DRAWING COVERS A PROPRIETARY ITEM AND IS THE PROPERTY OF MICRO SWITCH, A DIVISION OF HONEYWELL. THIS DRAWING IS NOT TO BE COPIED OR USED WITHOUT THE APPROVAL OF MICRO SWITCH.

CHARACTERISTICS	ELECTRICAL DATA	SCALE - FULL
	CONTACT ARRANGEMENT	DO NOT SCALE PRINT
		UNLESS OTHERWISE SPECIFIED DIMENSIONS ARE IN INCHES
		TOLERANCES ARE:
		ONE PLACE (.0) ± .030
		TWO PLACE (.00) ± .015
		THREE PLACE (.000) ± .005
		ANGLES ±
		WEIGHT