

## STEREO DIGITAL AUDIO LIP-SYNC DELAY WITH I<sup>2</sup>C CONTROL

### FEATURES

- Digital Audio Formats: 16-24-bit I<sup>2</sup>S, Right-Justified, Left-Justified
- I<sup>2</sup>C Bus Controlled
- Single Serial Input Port
- Delay Time: 170 ms/ch at fs = 48 kHz
- Delay Resolution: One Sample
- Delay Memory Cleared on Power-Up or After Delay Changes
  - Eliminates Erroneous Data From Being Output
- 3.3 V Operation With 5 V Tolerant I/O and I<sup>2</sup>C Control
- Supports Audio Bit Clock Rates of 32 to 64 fs with fs = 32 kHz–192 kHz
- No external crystal or oscillator required
  - All Internal Clocks Generated From the Audio Clock
- Surface Mount 4mm × 4mm, 16-pin QFN Package

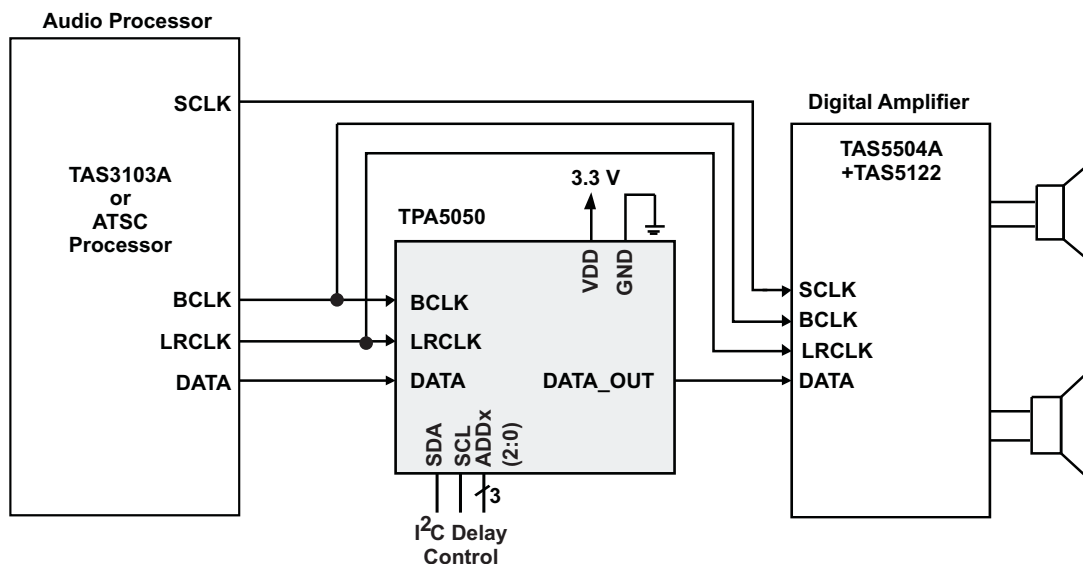
### APPLICATIONS

- High Definition TV Lip-Sync Delay
- Flat Panel TV Lip-Sync Delay
- Home Theater Rear-Channel Effects
- Wireless Speaker Front-Channel Synchronization

### DESCRIPTION

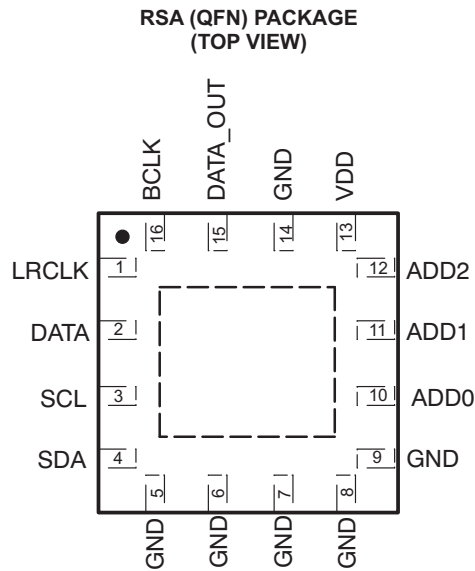
The TPA5050 accepts a single serial audio input, buffers the data for a selectable period of time, and outputs the delayed audio data on a single serial output. One device allows delay of up to 170 ms/ch (fs = 48 kHz) to synchronize the audio stream to the video stream in systems with complex video processing algorithms. If more delay is needed, the devices can be connected in series.

### SIMPLIFIED APPLICATION DIAGRAM



Please be aware that an important notice concerning availability, standard warranty, and use in critical applications of Texas Instruments semiconductor products and disclaimers thereto appears at the end of this data sheet.

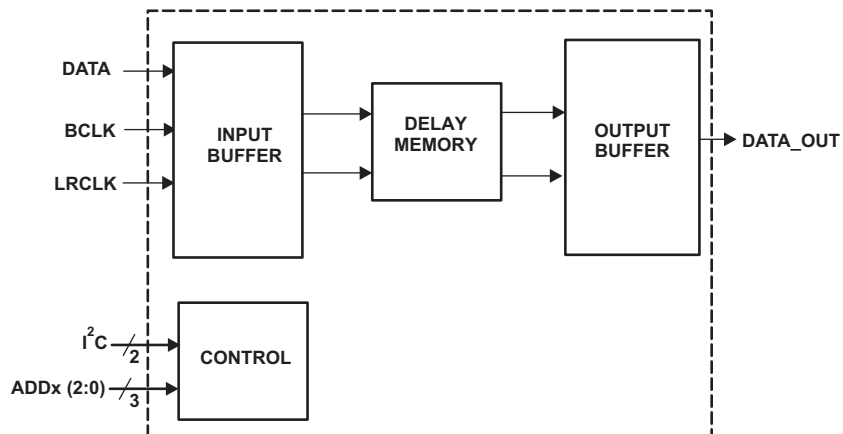
**PIN DESCRIPTIONS**



**TERMINAL FUNCTIONS**

| TERMINAL    |         | I/O | DESCRIPTION  |
|-------------|---------|-----|--|
| NAME        | NO.     |     |  |
| ADD0        | 10      | I   | I <sup>2</sup> C address select pin – LSB  |
| ADD1        | 11      | I   | I <sup>2</sup> C address select pin  |
| ADD2        | 12      | I   | I <sup>2</sup> C address select pin – MSB  |
| BCLK        | 16      | I   | Audio data bit clock input for serial input. 5V tolerant input.                                    |
| DATA        | 2       | I   | Audio serial data input for serial input. 5V tolerant input.                                       |
| DATA_OUT    | 15      | O   | Delayed audio serial data output.  |
| GND         | 5–9, 14 | P   | Ground – All ground terminals must be tied to GND for proper operation                             |
| LRCLK       | 1       | I   | Left and Right serial audio sampling rate clock (fs). 5V tolerant input.                           |
| SCL         | 3       | I   | I <sup>2</sup> C communication bus clock input. 5V tolerant input.                                 |
| SDA         | 4       | I/O | I <sup>2</sup> C communication bus data input. 5V tolerant input.                                  |
| VDD         | 13      | P   | Power supply interface.  |
| Thermal Pad |         | -   | Connect to ground. Must be soldered down in all applications to properly secure device on the PCB. |

**FUNCTIONAL BLOCK DIAGRAM**



## ABSOLUTE MAXIMUM RATINGS

over operating free-air temperature (unless otherwise noted) <sup>(1)</sup>

|                                    |  | VALUE                        | UNIT            |
|------------------------------------|--|------------------------------|-----------------|
| V <sub>DD</sub>                    | Supply voltage   | –0.3 to 3.6                  | V               |
| V <sub>I</sub>                     | Input voltage  | DATA, LRCLK, BCLK, SCL, SDA  | –0.3 to 5.5     |
|                                    |  | ADD[2:0]                     | –0.3 to VDD+0.3 |
| Continuous total power dissipation |  | See Dissipation Rating Table |                 |
| T <sub>A</sub>                     | Operating free-air temperature range                         | –40 to 85                    | °C              |
| T <sub>J</sub>                     | Operating junction temperature range                         | –40 to 125                   | °C              |
| T <sub>stg</sub>                   | Storage temperature range                                    | –65 to 125                   | °C              |
|                                    | Lead temperature 1,6 mm (1/16 inch) from case for 10 seconds | 260                          | °C              |

(1) Stresses beyond those listed under *absolute maximum ratings* may cause permanent damage to the device. These are stress ratings only, and functional operations of the device at these or any other conditions beyond those indicated under *recommended operating conditions* is not implied. Exposure to absolute-maximum-rated conditions for extended periods may affect device reliability.

## DISSIPATION RATINGS<sup>(1)</sup>

| PACKAGE | T <sub>A</sub> ≤ 25°C<br>POWER RATING | DERATING<br>FACTOR | T <sub>A</sub> = 70°C<br>POWER RATING | T <sub>A</sub> = 85°C<br>POWER RATING |
|---------|---------------------------------------|--------------------|---------------------------------------|---------------------------------------|
| RSA     | 2.5 W                                 | 25mW/°C            | 1.375 W                               | 1.0 W                                 |

(1) This data was taken using 1 oz trace and copper pad that is soldered directly to a JEDEC standard high-k PCB. The thermal pad must be soldered to a thermal land on the printed-circuit board. See TI Technical Briefs [SCBA017D](#) and [SLUA271](#) for more information about using the QFN thermal pad.

## RECOMMENDED OPERATING CONDITIONS

|                 |                                |                                       | MIN | MAX | UNIT |
|-----------------|--------------------------------|---------------------------------------|-----|-----|------|
| V <sub>DD</sub> | Supply voltage                 | VDD                                   | 3   | 3.6 | V    |
| V <sub>IH</sub> | High-level input voltage       | DATA, LRCLK, BCLK, SCL, SDA, ADD[2:0] | 2   |     | V    |
| V <sub>IL</sub> | Low-level input voltage        | DATA, LRCLK, BCLK, SCL, SDA, ADD[2:0] |     | 0.8 | V    |
| T <sub>A</sub>  | Operating free-air temperature |                                       | –40 | 85  | °C   |

### DC CHARACTERISTICS

T<sub>A</sub> = 25°C, V<sub>DD</sub> = 3 V (unless otherwise noted)

| PARAMETER       | TEST CONDITIONS           | MIN  | TYP | MAX | UNIT |    |
|-----------------|---------------------------|--|-----|-----|------|----|
| I <sub>DD</sub> | Supply current            | V <sub>DD</sub> = 3.3 V, f <sub>s</sub> = 48 kHz, BCLK = 32 fs |     | 1.5 | 3    | mA |
| I <sub>OH</sub> | High-level output current | DATA_OUT = 2.6 V   |     | 7   | 13   | mA |
| I <sub>OL</sub> | Low-level output current  | DATA_OUT = 0.4 V   |     | 7   | 13   | mA |
| I <sub>IH</sub> | High-level input current  | DATA, LRCLK, BCLK, SCL, SDA, Vi = 5.5V, VDD = 3V               |     |     | 20   | μA |
|                 |                           | ADD[2:0], Vi = 3.6V, VDD = 3.6V                                |     |     | 5    |    |
| I <sub>IL</sub> | Low-level input current   | DATA, LRCLK, BCLK, SCL, SDA, ADD[2:0], Vi = 0V, VDD = 3.6V     |     |     | 1    | μA |

### TIMING CHARACTERISTICS<sup>(1)(2)</sup>

For I<sup>2</sup>C Interface Signals Over Recommended Operating Conditions (unless otherwise noted)

| PARAMETER          | TEST CONDITIONS                                | MIN            | TYP | MAX | UNIT |
|--------------------|--|----------------|-----|-----|------|
| f <sub>SCL</sub>   | Frequency, SCL                                 | No wait states |     | 400 | kHz  |
| t <sub>w(H)</sub>  | Pulse duration, SCL high                       | 0.6            |     |     | μs   |
| t <sub>w(L)</sub>  | Pulse duration, SCL low                        | 1.3            |     |     | μs   |
| t <sub>su1</sub>   | Setup time, SDA to SCL                         | 100            |     |     | ns   |
| t <sub>h1</sub>    | Hold time, SCL to SDA                          | 10             |     |     | ns   |
| t <sub>(buf)</sub> | Bus free time between stop and start condition | 1.3            |     |     | μs   |
| t <sub>su2</sub>   | Setup time, SCL to start condition             | 0.6            |     |     | μs   |
| t <sub>h2</sub>    | Hold time, start condition to SCL              | 0.6            |     |     | μs   |
| t <sub>su3</sub>   | Setup time, SCL to stop condition              | 0.6            |     |     | μs   |

- (1) V<sub>Pull-up</sub> = V<sub>DD</sub>
- (2) A pull-up resistor ≤2 kΩ is required for a 5 V I<sup>2</sup>C bus voltage.

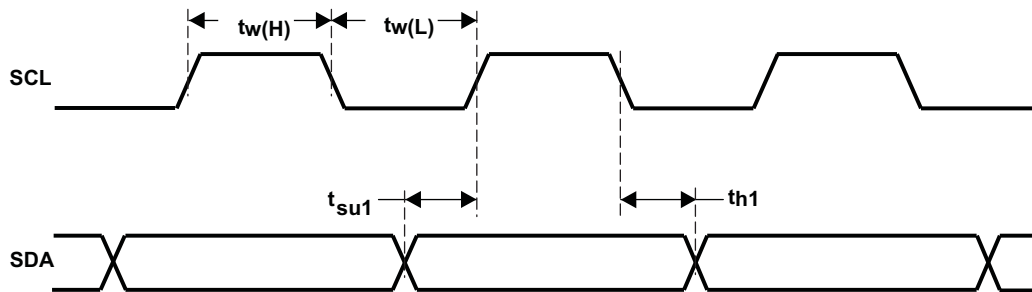


Figure 1. SCL and SDA Timing

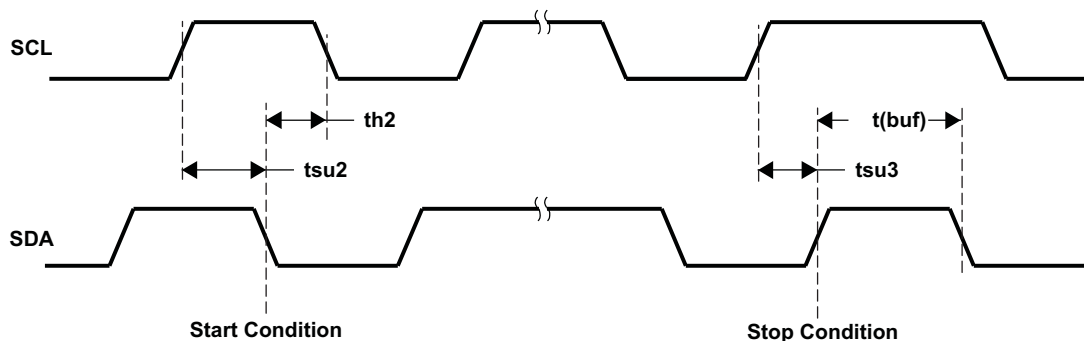


Figure 2. Start and Stop Conditions Timing

## Serial Audio Input Ports

over recommended operating conditions (unless otherwise noted)

| PARAMETER  | TEST CONDITIONS        | MIN   | TYP | MAX    | UNIT       |
|--|------------------------|-------|-----|--------|------------|
| $f_{SCLKIN}$ Frequency, BCLK $32 \times f_s$ , $48 \times f_s$ , $64 \times f_s$ |                        | 1.024 |     | 12.288 | MHz        |
| $t_{su1}$ Setup time, LRCLK to BCLK rising edge                                  |                        | 10    |     |        | ns         |
| $t_{h1}$ Hold time, LRCLK from BCLK rising edge                                  |                        | 10    |     |        | ns         |
| $t_{su2}$ Setup time, DATA to BCLK rising edge                                   |                        | 10    |     |        | ns         |
| $t_{h2}$ Hold time, DATA from BCLK rising edge                                   |                        | 10    |     |        | ns         |
| LRCLK frequency  |                        | 32    | 48  | 192    | kHz        |
| BCLK duty cycle  |                        |       | 50% |        |            |
| LRCLK duty cycle   |                        |       | 50% |        |            |
| BCLK rising edges between LRCLK rising edges                                     | LRCLK duty cycle = 50% | 32    |     | 64     | BCLK edges |

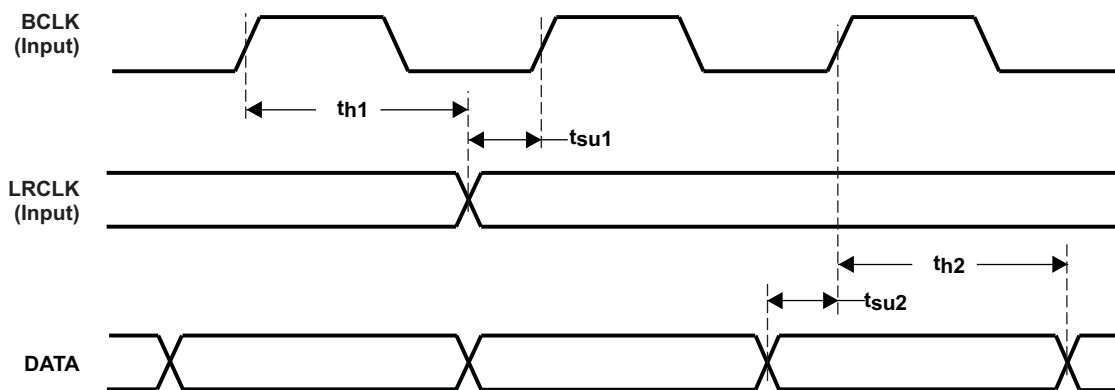


Figure 3. Serial Data Interface Timing

## APPLICATION INFORMATION

### AUDIO SERIAL INTERFACE

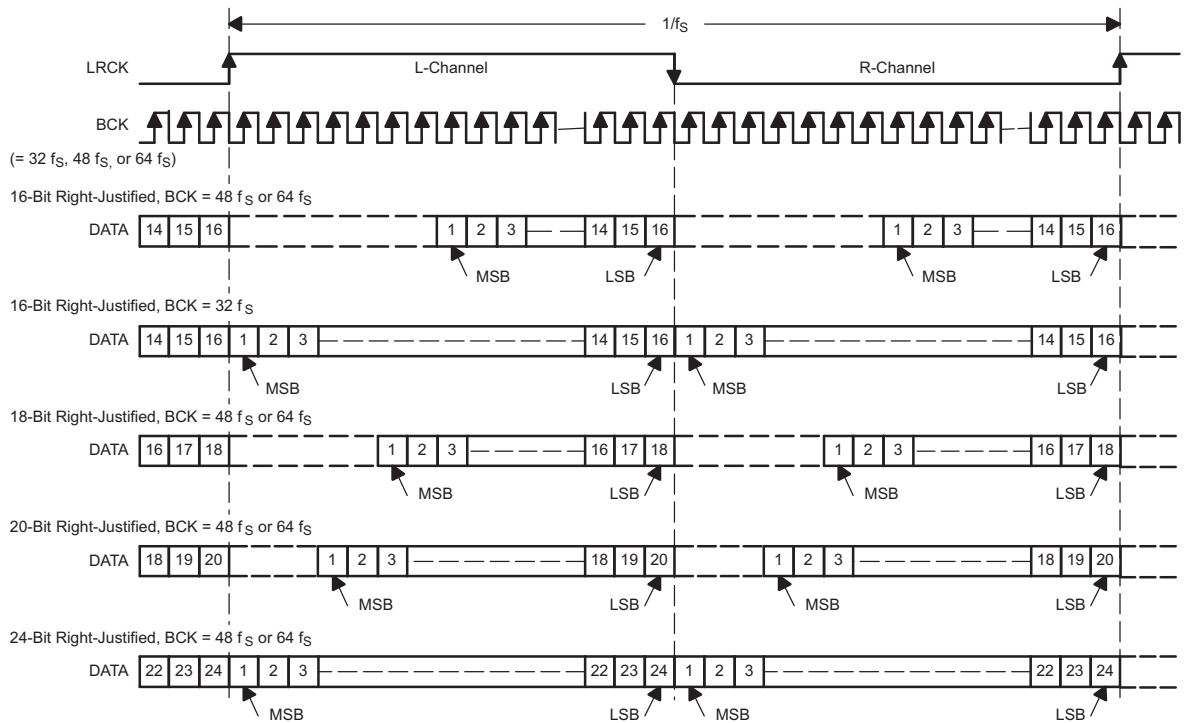
The audio serial interface for the TPA5050 consists of a 3-wire synchronous serial port. It includes LRCLK, BCLK, and DATA. BCLK is the serial audio bit clock, and it is used to clock the serial data present on DATA into the serial shift register of the audio interface. Serial data is clocked into the TPA5050 on the rising edge of BCLK. LRCLK is the serial audio left/right word clock. It is used to latch serial data into the internal registers of the serial audio interface. LRCLK is operated at the sampling frequency,  $f_s$ . BCLK can be operated at 32 to 64 times the sampling frequency for right-justified, left-justified, and I<sup>2</sup>S formats. A system clock is not necessary for the operation of the TPA5050.

### AUDIO DATA FORMATS AND TIMING

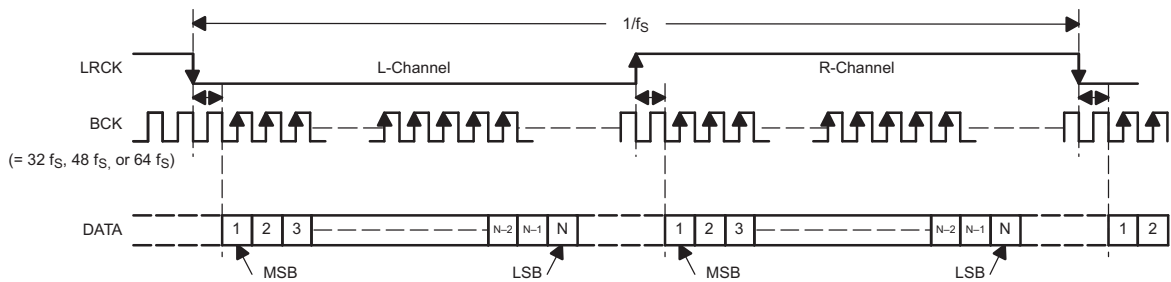
The TPA5050 supports industry-standard audio data formats, including right-justified, I<sup>2</sup>S, and left-justified. The data formats are shown in Figure 4. Data formats are selected using the I<sup>2</sup>C interface and register map (see Table 1).

APPLICATION INFORMATION (continued)

(1) Right-Justified Data Format; L-Channel = HIGH, R-Channel = LOW



(2) I<sup>2</sup>S Data Format; L-Channel = LOW, R-Channel = HIGH



(3) Left-Justified Data Format; L-Channel = HIGH, R-Channel = LOW

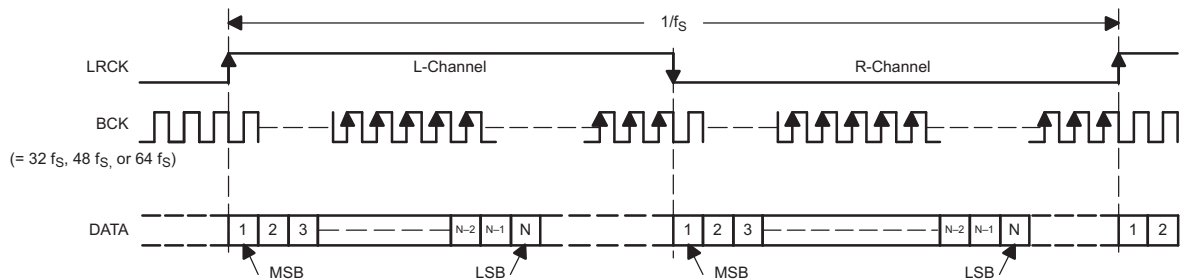


Figure 4. Audio Data Formats

## APPLICATION INFORMATION (continued)

### GENERAL I<sup>2</sup>C OPERATION

The I<sup>2</sup>C bus employs two signals; SDA (data) and SCL (clock), to communicate between integrated circuits in a system. Data is transferred on the bus serially, one bit at a time. The address and data are transferred in byte (8-bit) format with the most-significant bit (MSB) transferred first. In addition, each byte transferred on the bus is acknowledged by the receiving device with an acknowledge bit. Each transfer operation begins with the master device driving a start condition on the bus and ends with the master device driving a stop condition on the bus. The bus uses transitions on the data terminal (SDA) while the clock is high to indicate start and stop conditions. A high-to-low transition on SDA indicates a start and a low-to-high transition indicates a stop. Normal data-bit transitions must occur within the low time of the clock period. These conditions are shown in Figure 5. The master generates the 7-bit slave address and the read/write (R/W) bit to open communication with another device and then wait for an acknowledge condition. The TPA5050 holds SDA low during acknowledge clock period to indicate an acknowledgement. When this occurs, the master transmits the next byte of the sequence. Each device is addressed by a unique 7-bit slave address plus R/W bit (1 byte). All compatible devices share the same signals via a bidirectional bus using a wired-AND connection.

An external pull-up resistor must be used for the SDA and SCL signals to set the HIGH level for the bus. When the bus level is 5 V, pull-up resistors between 1 k $\Omega$  and 2 k $\Omega$  in value must be used.

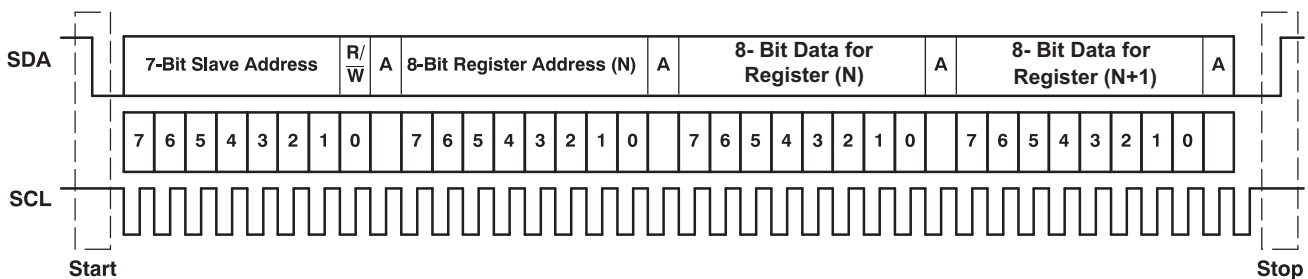


Figure 5. Typical I<sup>2</sup>C Sequence

There is no limit on the number of bytes that can be transmitted between start and stop conditions. When the last word transfers, the master generates a stop condition to release the bus. A generic data transfer sequence is shown in Figure 5.

The 7-bit address for the TPA5050 is selectable using the 3 address pins (ADD2, ADD1, ADD0). Table 1 lists the 8 possible slave addresses.

Table 1. I<sup>2</sup>C Slave Address

| FIXED ADDRESS<br>(4 MSB bits) | SELECTABLE ADDRESS BITS |      |      |
|-------------------------------|-------------------------|------|------|
|                               | ADD2                    | ADD1 | ADD0 |
| 1101                          | 0                       | 0    | 0    |
| 1101                          | 0                       | 0    | 1    |
| 1101                          | 0                       | 1    | 0    |
| 1101                          | 0                       | 1    | 1    |
| 1101                          | 1                       | 0    | 0    |
| 1101                          | 1                       | 0    | 1    |
| 1101                          | 1                       | 1    | 0    |
| 1101                          | 1                       | 1    | 1    |

### SINGLE-AND MULTIPLE-BYTE TRANSFERS

The serial control interface supports both single-byte and multi-byte read/write operations for all registers.

During multiple-byte read operations, the TPA5050 responds with data, a byte at a time, starting at the register assigned, as long as the master device continues to respond with acknowledges.

The TPA5050 supports sequential I<sup>2</sup>C addressing. For write transactions, if a register is issued followed by data for that register and all the remaining registers that follow, a sequential I<sup>2</sup>C write transaction has taken place. For I<sup>2</sup>C sequential write transactions, the register issued then serves as the starting point, and the amount of data subsequently transmitted, before a stop or start is transmitted, determines to how many registers are written.

### SINGLE-BYTE WRITE

As shown is Figure 6, a single-byte data write transfer begins with the master device transmitting a start condition followed by the I<sup>2</sup>C device address and the read/write bit. The read/write bit determines the direction of the data transfer. For a write data transfer, the read/write bit must be set to 0. After receiving the correct I<sup>2</sup>C device address and the read/write bit, the TPA5050 responds with an acknowledge bit. Next, the master transmits the register byte corresponding to the TPA5050 internal memory address being accessed. After receiving the register byte, the TPA5050 again responds with an acknowledge bit. Next, the master device transmits the data byte to be written to the memory address being accessed. After receiving the data byte, the TPA5050 again responds with an acknowledge bit. Finally, the master device transmits a stop condition to complete the single-byte data write transfer.

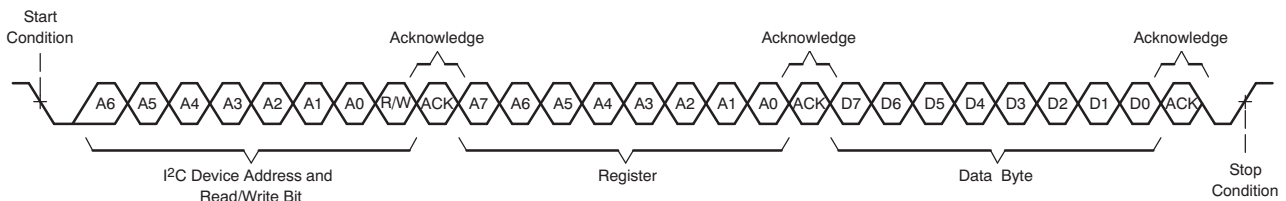


Figure 6. Single-Byte Write Transfer

### MULTIPLE-BYTE WRITE AND INCREMENTAL MULTIPLE-BYTE WRITE

A multiple-byte data write transfer is identical to a single-byte data write transfer except that multiple data bytes are transmitted by the master device to the TPA5050 as shown in Figure 7. After receiving each data byte, the TPA5050 responds with an acknowledge bit.

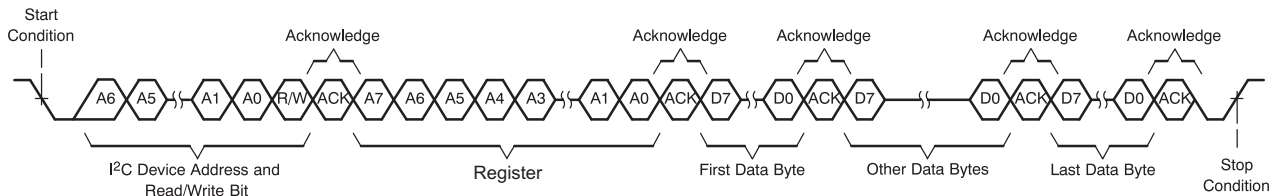


Figure 7. Multiple-Byte Write Transfer

### SINGLE-BYTE READ

As shown in Figure 8, a single-byte data read transfer begins with the master device transmitting a start condition followed by the I<sup>2</sup>C device address and the read/write bit. For the data read transfer, both a write followed by a read are actually done. Initially, a write is done to transfer the address byte of the internal memory address to be read. As a result, the read/write bit is set to a 0.

After receiving the TPA5050 address and the read/write bit, the TPA5050 responds with an acknowledge bit. The master then sends the internal memory address byte, after which the TPA5050 issues an acknowledge bit. The master device transmits another start condition followed by the TPA5050 address and the read/write bit again. This time the read/write bit is set to 1, indicating a read transfer. Next, the TPA5050 transmits the data byte from the memory address being read. After receiving the data byte, the master device transmits a not-acknowledge followed by a stop condition to complete the single-byte data read transfer.



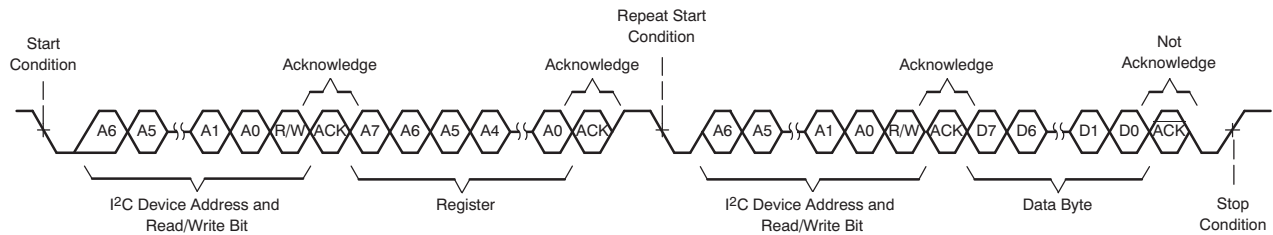


Figure 8. Single-Byte Read Transfer

## MULTIPLE-BYTE READ

A multiple-byte data read transfer is identical to a single-byte data read transfer except that multiple data bytes are transmitted by the TPA5050 to the master device as shown in Figure 9. With the exception of the last data byte, the master device responds with an acknowledge bit after receiving each data byte.

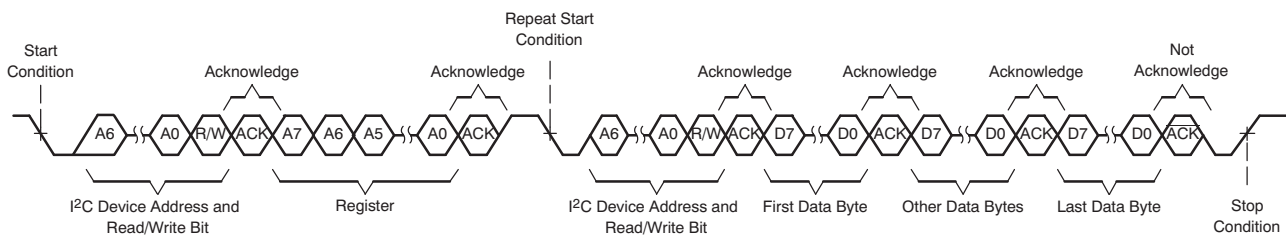


Figure 9. Multiple-Byte Read Transfer

## TPA5050 Operation

The following sections describe the registers configurable via I<sup>2</sup>C commands for the TPA5050.

Only a single decoupling capacitor (0.1  $\mu$ F–1  $\mu$ F) is required across VDD and GND. The ADDx terminals can be directly connected to VDD or GND. Table 1 describes the I<sup>2</sup>C addresses selectable via the ADDx terminals. A schematic implementation of the TPA5050 is shown in Figure 10.

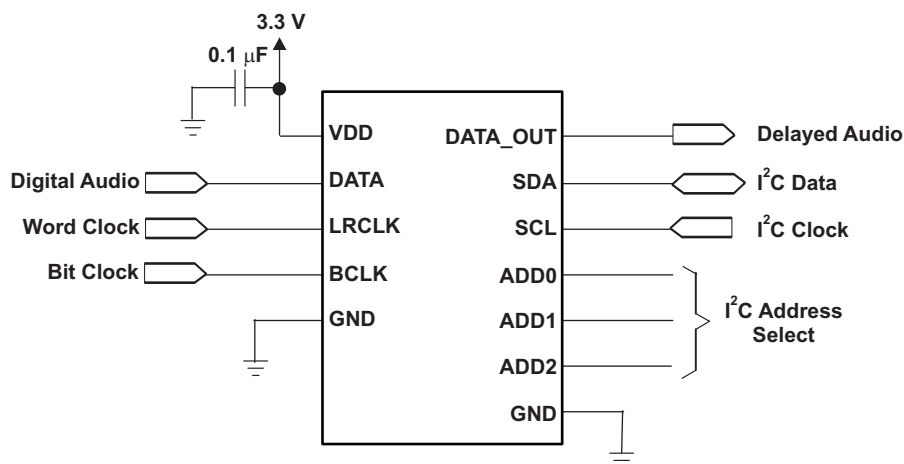


Figure 10. TPA5050 Schematic

**SERIAL CONTROL INTERFACE REGISTER SUMMARY**

**Table 2. Serial Control Register Summary**

| REGISTER | REGISTER NAME              | NO. OF BYTES | CONTENTS                                | INITIALIZATION VALUE |
|----------|----------------------------|--------------|---|----------------------|
| 0x01     | Control Register           | 1            | Description shown in subsequent section | 00                   |
| 0x02     | Right Delay Upper (5 bits) | 1            | Description shown in subsequent section | 00                   |
| 0x03     | Right Delay Lower (8 bits) | 1            | Description shown in subsequent section | 00                   |
| 0x04     | Left Delay Upper (5 bits)  | 1            | Description shown in subsequent section | 00                   |
| 0x05     | Left Delay Lower (8 bits)  | 1            | Description shown in subsequent section | 00                   |
| 0x06     | Frame Delay                | 1            | Description shown in subsequent section | 00                   |
| 0x07     | RJ Packet Length           | 1            | Description shown in subsequent section | 00                   |
| 0x08     | Complete Update            | 1            | Description shown in subsequent section | 00                   |

**CONTROL REGISTER (0x01)**

The control register allows the user to mute a specific audio channel. It is also used to specify the data type (I<sup>2</sup>S, Right-Justified, or Left-Justified).

**Table 3. Control Registers (0x01)<sup>(1)</sup>**

| D7       | D6       | D5 | D4 | D3 | D2 | D1       | D0       | FUNCTION  |
|----------|----------|----|----|----|----|----------|----------|---|
| <b>0</b> | <b>0</b> | X  | X  | X  | X  | –        | –        | <b>Left and Right channel are active.</b>                     |
| 0        | 1        | X  | X  | X  | X  | –        | –        | Left channel is MUTED.  |
| 1        | 0        | X  | X  | X  | X  | –        | –        | Right channel is MUTED.                                       |
| 1        | 1        | X  | X  | X  | X  | –        | –        | Left and Right channel are MUTED.                             |
| –        | –        | X  | X  | X  | X  | <b>0</b> | <b>0</b> | <b>I<sup>2</sup>S data format</b>                             |
| –        | –        | X  | X  | X  | X  | 0        | 1        | Right-justified data format (see PACKET LENGTH register 0x07) |
| –        | –        | X  | X  | X  | X  | 1        | 0        | Left-justified data format                                    |
| –        | –        | X  | X  | X  | X  | 1        | 1        | Bypass mode – data is passed straight through without delay.  |

(1) Default values are in bold.

**AUDIO DELAY REGISTERS (0x02–0x05)**

The audio delay for the left and right channels is fixed by writing a total of 13 bits (2 byte transfer) to upper and lower registers as specified in Table 1. A multiple byte transfer should be performed starting with the control register and following with 4 bytes to fill the upper and lower registers associated with right/left channel delay. The decimal value of D0–D12 equals the number of samples to delay. The maximum number of delayed samples is 8191 for the TPA5050. This equates to 170.65 ms [8191 × (1/fs)] at 48 kHz.

**Table 4. Audio Delay Registers (0x02–0x05)<sup>(1)</sup>**

| D12      | D11      | D10–D2   | D1       | D0       | FUNCTION   |
|----------|----------|----------|----------|----------|--|
| <b>0</b> | <b>0</b> | <b>0</b> | <b>0</b> | <b>0</b> | <b>Left and Right audio is passed to output with no delay.</b>         |
| 0        | 0        | 0        | 0        | 1        | Left and Right audio is delayed by 1 sample (1/fs = delay time)        |
| 1        | 1        | 1        | 1        | 1        | Left and Right audio is delayed by 8191 samples (8191/fs = delay time) |

(1) Default values are in bold.

**FRAME DELAY REGISTERS (0x06)**

This register can be used to specify delay in video frames instead of audio samples. When the MSB is set to 1, the audio delay registers (0x01–0x04) are bypassed and the Frame Delay Register is used to set the delay based on the frame rate (D6), audio sample rate (D5–D3), and number of frames to delay (D2–D0).

The total audio delay time is calculated by the following formula:

$$\text{Audio Delay (in samples)} = \text{int} [\# \text{ Delay Frames} \times (1/\text{Frame Rate}) \times \text{Audio Sample Rate}]$$

If the result of the formula above is greater than the maximum number of delay samples (8191 for TPA5050), then the value is limited to this maximum before passing to the delay block.

**Table 5. Frame Delay Registers (0x06)<sup>(1)</sup>**

| D7 | D6       | D5       | D4       | D3       | D2       | D1       | D0       | FUNCTION  |
|----|----------|----------|----------|----------|----------|----------|----------|---|
| 0  |          |          |          |          |          |          |          | Settings in this register are masked and audio delay is determined by settings in the right/left audio delay registers. |
| 1  |          |          |          |          |          |          |          | Right/left audio delay registers are masked and delay is determined by settings in this register.                       |
|    | <b>0</b> |          |          |          |          |          |          | <b>Frame rate = 50 Hz</b>   |
|    | 1        |          |          |          |          |          |          | Frame rate = 59.94 Hz   |
|    |          | <b>0</b> | <b>0</b> | <b>0</b> |          |          |          | <b>Audio sample rate = 32 kHz</b>   |
|    |          | 0        | 0        | 1        |          |          |          | Audio sample rate = 44.1 kHz  |
|    |          | 0        | 1        | 0        |          |          |          | Audio sample rate = 48 kHz  |
|    |          | 0        | 1        | 1        |          |          |          | Audio sample rate = 88.2 kHz  |
|    |          | 1        | 0        | 0        |          |          |          | Audio sample rate = 96 kHz  |
|    |          | 1        | 0        | 1        |          |          |          | Audio sample rate = 176.4 kHz   |
|    |          | 1        | 1        | 0        |          |          |          | Audio sample rate = 192 kHz   |
|    |          | 1        | 1        | 1        |          |          |          | Audio sample rate = 192 kHz   |
|    |          |          |          |          | <b>0</b> | <b>0</b> | <b>0</b> | <b>Delay frames = 1</b>   |
|    |          |          |          |          | 0        | 0        | 1        | Delay frames = 2  |
|    |          |          |          |          | 1        | 1        | 1        | Delay frames = 8  |

(1) Default values are in **bold**.

## RJ PACKET LENGTH REGISTERS (0x07)

This register is only used in right justified mode. The decimal value of bits [5:0] represents the width of the useable data in a right justified audio stream. The number of BCLK transitions between LRCLK transitions must be greater than or equal to the packet length selected in this register. The maximum packet length value is 24 bits. Any setting greater whose numerical value is greater than 24 bits is limited to the maximum 24 bits.

**Table 6. RJ Package Length (0x07)<sup>(1)</sup>**

| D5       | D4       | D3       | D2       | D1       | D0       | FUNCTION                |
|----------|----------|----------|----------|----------|----------|-------------------------|
| <b>0</b> | <b>0</b> | <b>0</b> | <b>0</b> | <b>0</b> | <b>0</b> | Packet length = 0 bits  |
| 0        | 0        | 0        | 0        | 0        | 1        | Packet length = 1 bits  |
| 0        | 1        | 1        | X        | X        | X        | Packet length = 24 bits |

(1) Default values are in **bold**.

## COMPLETE UPDATE REGISTER (0x08)

Since the audio delay values are divided among several registers, it is likely that multiple writes would be necessary to configure the device. This may cause interruptions in the audio stream and unwanted pops and clicks might occur as register data is passed to delay functional block.

To avoid this from happening, the **Complete Update** register is used to transfer the user settings from the register file to the delay functional block when a 1 is written to the LSB. For example, if the right delay is set to 35 samples, and the left delay is set to 300 samples, the device holds the right channel in MUTE until 35 samples of audio data have passed, and holds the left channel in MUTE until 300 samples of audio data have passed.

Note that the individual channels can be muted using the upper bits of the Control Registers **without** writing to the Complete Update registers.

**Table 7. Complete Update Registers (0x08)<sup>(1)</sup>**

| D7–D1 | D0       | FUNCTION   |
|-------|----------|--|
| X     | <b>0</b> | No data from the register settings is passed to the delay block.   |
| X     | 1        | Stream type, right/left delay or frame delay, and packet length is passed to the delay functional block. |

(1) Default values are in **bold**.

**APPLICATION EXAMPLES**

The following are some examples of I<sup>2</sup>C commands used to read or write to the TPA5050. For all conditions, assume the address of the TPA5050 is set to 001.

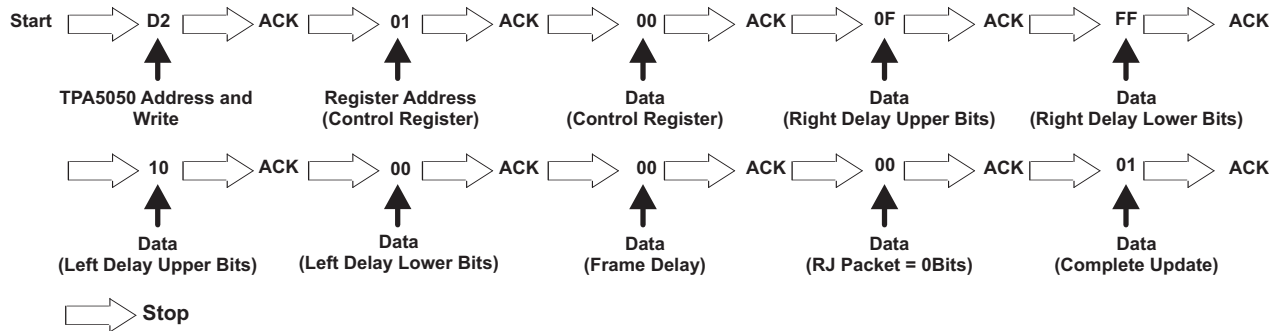
**Single Byte Write**

In this example, the TPA5050 is set to mute both left and right channels, and to operate in I<sup>2</sup>S mode.



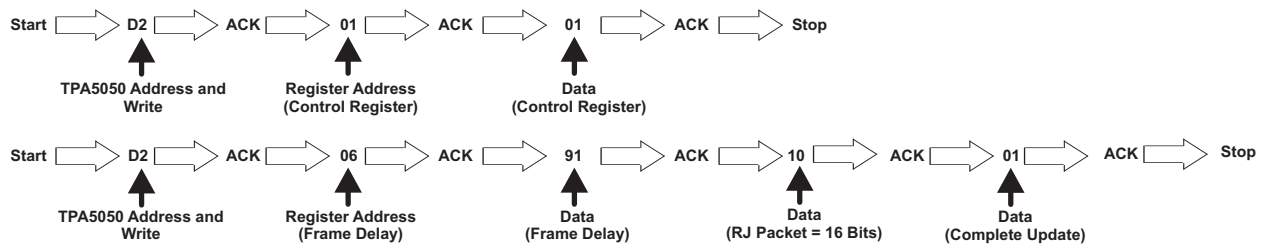
**Multiple Byte Write**

In this example, the TPA5050 is set to make both the left and right channels active, operate in I<sup>2</sup>S mode, delay the right channel by 4095 samples, and delay the left channel by 4096 samples. This is a sequential write, so all registers must have data written to them.



**Combination Single Byte Write and Sequential Write**

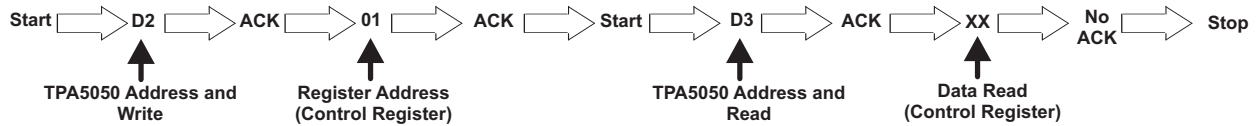
In this example, the TPA5050 is set to operate in the Right Justified mode, with a packet length of 16 bits. The device is to delay the audio signal by 40 ms using the Frame Delay function. Assume the audio sample rate (fs) = 48 kHz, and the Frame rate = 50 Hz. This is a combination of single writes and a sequential write. Since the Right Justified mode is set in the Control Register, and the Frame Delay is set in register 0x06, the data in registers 0x02–0x05 can be ignored.



Note that in every circumstance where a delay was written into the memory of the TPA5050, a 1 must be written to the *Complete Data* register for the change to take effect. This does not apply to muting, which occurs in the *Control* register.

### Single Byte Read

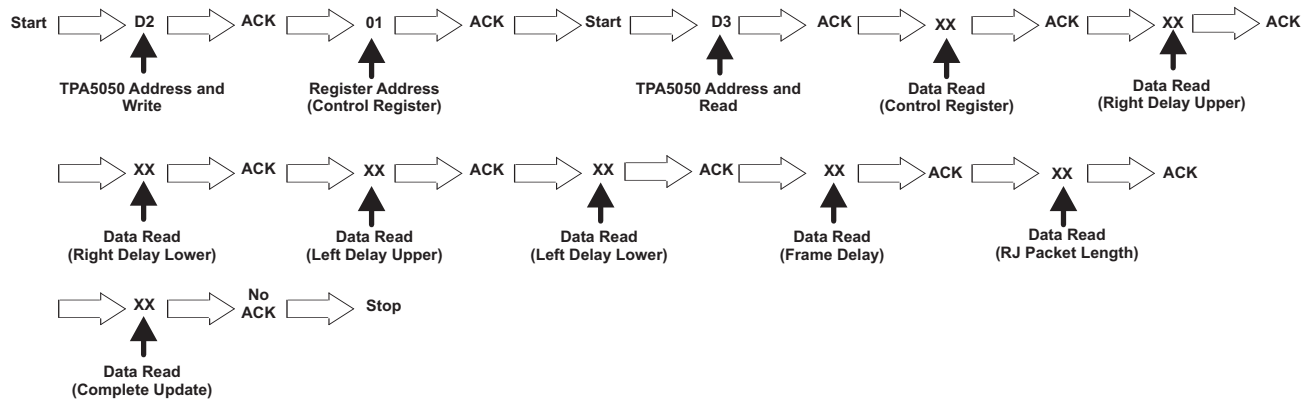
In this example, one byte of data is read from the Control Register (0x01). After the data (represented xx) by is read by the master device, the master device issues a Not Acknowledge, before stopping the communication.



### Multiple Byte Read

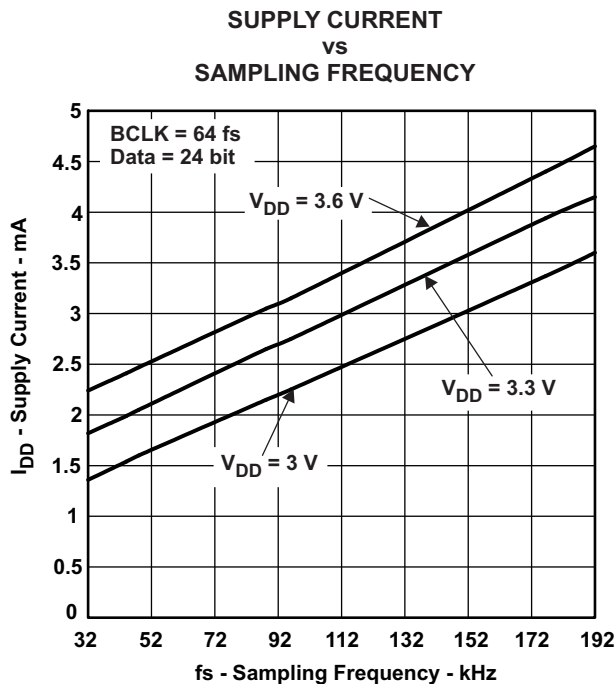
Often, when it is necessary to read what is contained in one register, it is necessary to determine what information is contained in all registers. In such a case, a sequential read should be used. In situations where data must be read from a register at the beginning (0x01), and a register towards the end (0x07), a sequential read is likely to be faster to implement than multiple single byte reads.

In this example, a sequential read is initiated with the Control Register (0x01), and ends with the Complete Update Register (0x08).



**DEVICE CURRENT CONSUMPTION**

The TPA5050 draws different amounts of supply current depending upon the conditions under which it is operated. As  $V_{DD}$  increases, so too does  $I_{DD}$ . Likewise, as  $V_{DD}$  decreases,  $I_{DD}$  decreases. The same is true of the sampling frequency,  $f_s$ . An increase in  $f_s$  causes an increase in  $I_{DD}$ . Figure 11 illustrates the relationship between operating condition and typical supply current.



**Figure 11. Typical Supply Current**

**PACKAGING INFORMATION**

| Orderable Device | Status <sup>(1)</sup> | Package Type | Package Drawing | Pins | Package Qty | Eco Plan <sup>(2)</sup> | Lead/Ball Finish | MSL Peak Temp <sup>(3)</sup> |
|------------------|-----------------------|--------------|-----------------|------|-------------|-------------------------|------------------|------------------------------|
| TPA5050RSAR      | ACTIVE                | QFN          | RSA             | 16   | 3000        | Green (RoHS & no Sb/Br) | CU NIPDAU        | Level-2-260C-1 YEAR          |
| TPA5050RSARG4    | ACTIVE                | QFN          | RSA             | 16   | 3000        | Green (RoHS & no Sb/Br) | CU NIPDAU        | Level-2-260C-1 YEAR          |
| TPA5050RSAT      | ACTIVE                | QFN          | RSA             | 16   | 250         | Green (RoHS & no Sb/Br) | CU NIPDAU        | Level-2-260C-1 YEAR          |
| TPA5050RSATG4    | ACTIVE                | QFN          | RSA             | 16   | 250         | Green (RoHS & no Sb/Br) | CU NIPDAU        | Level-2-260C-1 YEAR          |

<sup>(1)</sup> The marketing status values are defined as follows:

**ACTIVE:** Product device recommended for new designs.

**LIFEBUY:** TI has announced that the device will be discontinued, and a lifetime-buy period is in effect.

**NRND:** Not recommended for new designs. Device is in production to support existing customers, but TI does not recommend using this part in a new design.

**PREVIEW:** Device has been announced but is not in production. Samples may or may not be available.

**OBSOLETE:** TI has discontinued the production of the device.

<sup>(2)</sup> Eco Plan - The planned eco-friendly classification: Pb-Free (RoHS), Pb-Free (RoHS Exempt), or Green (RoHS & no Sb/Br) - please check <http://www.ti.com/productcontent> for the latest availability information and additional product content details.

**TBD:** The Pb-Free/Green conversion plan has not been defined.

**Pb-Free (RoHS):** TI's terms "Lead-Free" or "Pb-Free" mean semiconductor products that are compatible with the current RoHS requirements for all 6 substances, including the requirement that lead not exceed 0.1% by weight in homogeneous materials. Where designed to be soldered at high temperatures, TI Pb-Free products are suitable for use in specified lead-free processes.

**Pb-Free (RoHS Exempt):** This component has a RoHS exemption for either 1) lead-based flip-chip solder bumps used between the die and package, or 2) lead-based die adhesive used between the die and leadframe. The component is otherwise considered Pb-Free (RoHS compatible) as defined above.

**Green (RoHS & no Sb/Br):** TI defines "Green" to mean Pb-Free (RoHS compatible), and free of Bromine (Br) and Antimony (Sb) based flame retardants (Br or Sb do not exceed 0.1% by weight in homogeneous material)

<sup>(3)</sup> MSL, Peak Temp. -- The Moisture Sensitivity Level rating according to the JEDEC industry standard classifications, and peak solder temperature.

**Important Information and Disclaimer:**The information provided on this page represents TI's knowledge and belief as of the date that it is provided. TI bases its knowledge and belief on information provided by third parties, and makes no representation or warranty as to the accuracy of such information. Efforts are underway to better integrate information from third parties. TI has taken and continues to take reasonable steps to provide representative and accurate information but may not have conducted destructive testing or chemical analysis on incoming materials and chemicals. TI and TI suppliers consider certain information to be proprietary, and thus CAS numbers and other limited information may not be available for release.

In no event shall TI's liability arising out of such information exceed the total purchase price of the TI part(s) at issue in this document sold by TI to Customer on an annual basis.

## TAPE AND REEL INFORMATION



### QUADRANT ASSIGNMENTS FOR PIN 1 ORIENTATION IN TAPE



\*All dimensions are nominal

| Device      | Package Type | Package Drawing | Pins | SPQ  | Reel Diameter (mm) | Reel Width W1 (mm) | A0 (mm) | B0 (mm) | K0 (mm) | P1 (mm) | W (mm) | Pin1 Quadrant |
|-------------|--------------|-----------------|------|------|--------------------|--------------------|---------|---------|---------|---------|--------|---------------|
| TPA5050RSAR | QFN          | RSA             | 16   | 3000 | 330.0              | 12.4               | 4.25    | 4.25    | 1.15    | 8.0     | 12.0   | Q2            |
| TPA5050RSAT | QFN          | RSA             | 16   | 250  | 180.0              | 12.4               | 4.25    | 4.25    | 1.15    | 8.0     | 12.0   | Q2            |



TAPE AND REEL BOX DIMENSIONS

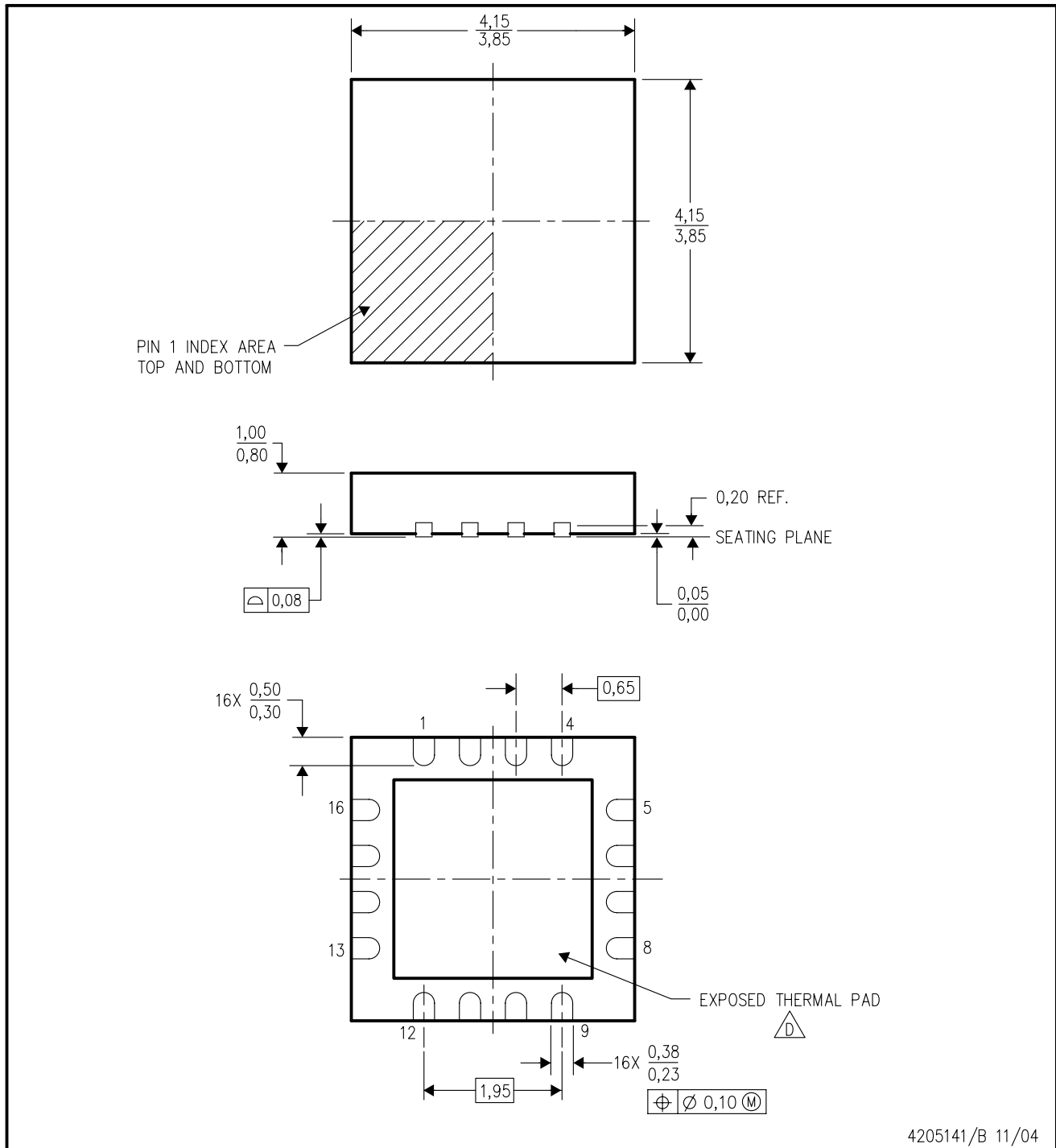



\*All dimensions are nominal

| Device      | Package Type | Package Drawing | Pins | SPQ  | Length (mm) | Width (mm) | Height (mm) |
|-------------|--------------|-----------------|------|------|-------------|------------|-------------|
| TPA5050RSAR | QFN          | RSA             | 16   | 3000 | 346.0       | 346.0      | 29.0        |
| TPA5050RSAT | QFN          | RSA             | 16   | 250  | 190.5       | 212.7      | 31.8        |

RSA (S-PQFP-N16)

PLASTIC QUAD FLATPACK



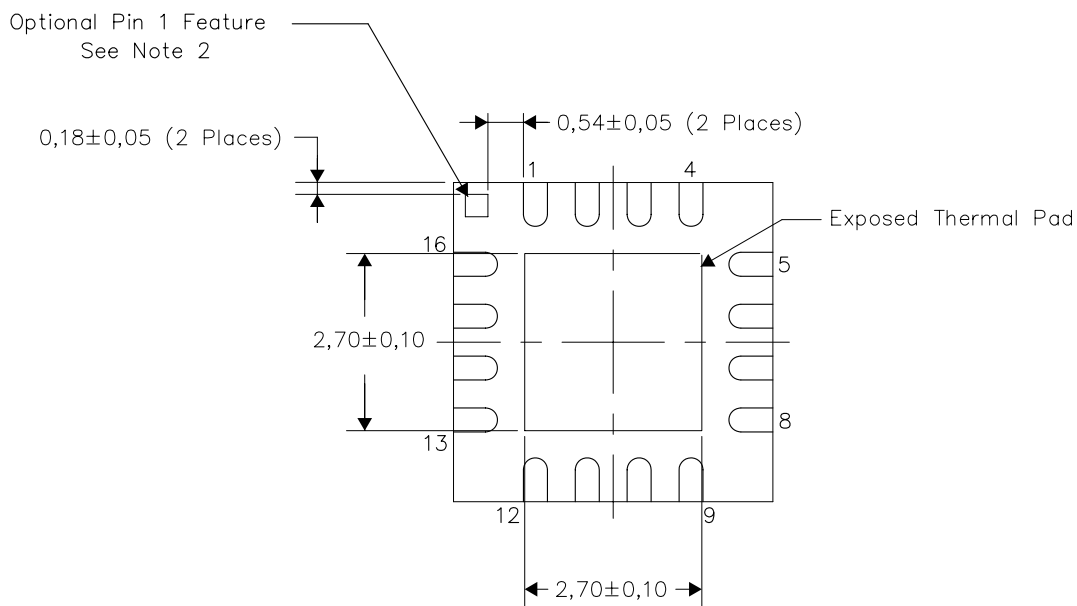
- NOTES:
- A. All linear dimensions are in millimeters. Dimensioning and tolerancing per ASME Y14.5M-1994.
  - B. This drawing is subject to change without notice.
  - C. Quad Flatpack, No-leads (QFN) package configuration.
  -  The package thermal pad must be soldered to the board for thermal and mechanical performance. See the Product Data Sheet for details regarding the exposed thermal pad dimensions.
  - E. Falls within JEDEC MO-220.

**THERMAL INFORMATION**

This package incorporates an exposed thermal pad that is designed to be attached directly to an external heatsink. The thermal pad must be soldered directly to the printed circuit board (PCB). After soldering, the PCB can be used as a heatsink. In addition, through the use of thermal vias, the thermal pad can be attached directly to the appropriate copper plane shown in the electrical schematic for the device, or alternatively, can be attached to a special heatsink structure designed into the PCB. This design optimizes the heat transfer from the integrated circuit (IC).

For information on the Quad Flatpack No-Lead (QFN) package and its advantages, refer to Application Report, QFN/SON PCB Attachment, Texas Instruments Literature No. SLUA271. This document is available at [www.ti.com](http://www.ti.com).

The exposed thermal pad dimensions for this package are shown in the following illustration.

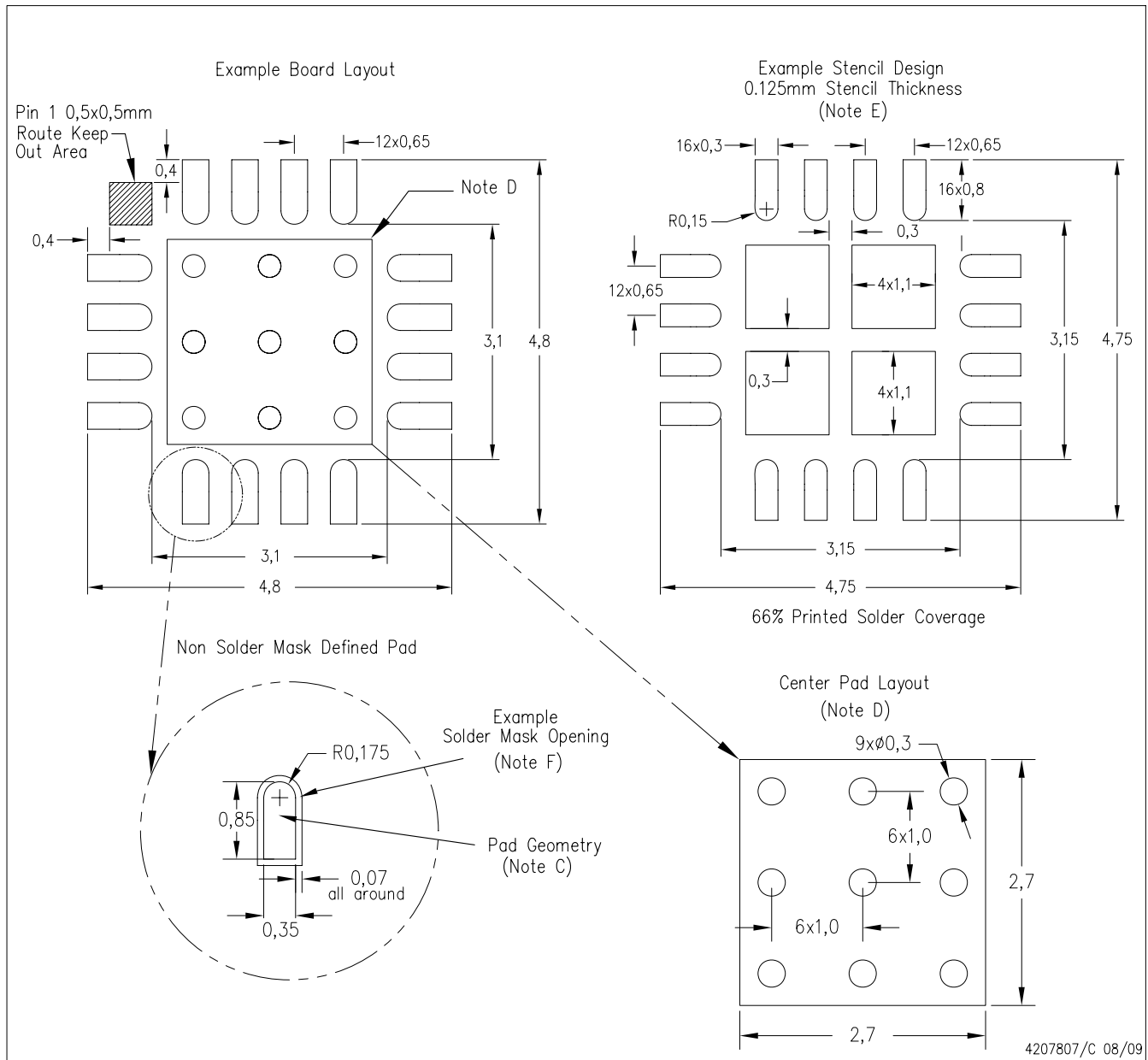


Bottom View  
Exposed Thermal Pad Dimensions

**NOTES:**

- 1) All linear dimensions are in millimeters
- 2) The Pin 1 Identification mark is an optional feature that may be present on some devices. In addition, this Pin 1 feature if present is electrically connected to the center thermal pad and therefore should be considered when routing the board layout.

RSA (S-PVQFN-N16)



- NOTES:
- A. All linear dimensions are in millimeters.
  - B. This drawing is subject to change without notice.
  - C. Publication IPC-7351 is recommended for alternate designs.
  - D. This package is designed to be soldered to a thermal pad on the board. Refer to Application Note, QFN Packages, Texas Instruments Literature No. SLUA271, and also the Product Data Sheets for specific thermal information, via requirements, and recommended board layout. These documents are available at [www.ti.com](http://www.ti.com) <<http://www.ti.com>>.
  - E. Laser cutting apertures with trapezoidal walls and also rounding corners will offer better paste release. Customers should contact their board assembly site for stencil design recommendations. Refer to IPC 7525 for stencil design considerations.
  - F. Customers should contact their board fabrication site for solder mask tolerances.

## IMPORTANT NOTICE

Texas Instruments Incorporated and its subsidiaries (TI) reserve the right to make corrections, modifications, enhancements, improvements, and other changes to its products and services at any time and to discontinue any product or service without notice. Customers should obtain the latest relevant information before placing orders and should verify that such information is current and complete. All products are sold subject to TI's terms and conditions of sale supplied at the time of order acknowledgment.

TI warrants performance of its hardware products to the specifications applicable at the time of sale in accordance with TI's standard warranty. Testing and other quality control techniques are used to the extent TI deems necessary to support this warranty. Except where mandated by government requirements, testing of all parameters of each product is not necessarily performed.

TI assumes no liability for applications assistance or customer product design. Customers are responsible for their products and applications using TI components. To minimize the risks associated with customer products and applications, customers should provide adequate design and operating safeguards.

TI does not warrant or represent that any license, either express or implied, is granted under any TI patent right, copyright, mask work right, or other TI intellectual property right relating to any combination, machine, or process in which TI products or services are used. Information published by TI regarding third-party products or services does not constitute a license from TI to use such products or services or a warranty or endorsement thereof. Use of such information may require a license from a third party under the patents or other intellectual property of the third party, or a license from TI under the patents or other intellectual property of TI.

Reproduction of TI information in TI data books or data sheets is permissible only if reproduction is without alteration and is accompanied by all associated warranties, conditions, limitations, and notices. Reproduction of this information with alteration is an unfair and deceptive business practice. TI is not responsible or liable for such altered documentation. Information of third parties may be subject to additional restrictions.

Resale of TI products or services with statements different from or beyond the parameters stated by TI for that product or service voids all express and any implied warranties for the associated TI product or service and is an unfair and deceptive business practice. TI is not responsible or liable for any such statements.

TI products are not authorized for use in safety-critical applications (such as life support) where a failure of the TI product would reasonably be expected to cause severe personal injury or death, unless officers of the parties have executed an agreement specifically governing such use. Buyers represent that they have all necessary expertise in the safety and regulatory ramifications of their applications, and acknowledge and agree that they are solely responsible for all legal, regulatory and safety-related requirements concerning their products and any use of TI products in such safety-critical applications, notwithstanding any applications-related information or support that may be provided by TI. Further, Buyers must fully indemnify TI and its representatives against any damages arising out of the use of TI products in such safety-critical applications.

TI products are neither designed nor intended for use in military/aerospace applications or environments unless the TI products are specifically designated by TI as military-grade or "enhanced plastic." Only products designated by TI as military-grade meet military specifications. Buyers acknowledge and agree that any such use of TI products which TI has not designated as military-grade is solely at the Buyer's risk, and that they are solely responsible for compliance with all legal and regulatory requirements in connection with such use.

TI products are neither designed nor intended for use in automotive applications or environments unless the specific TI products are designated by TI as compliant with ISO/TS 16949 requirements. Buyers acknowledge and agree that, if they use any non-designated products in automotive applications, TI will not be responsible for any failure to meet such requirements.

Following are URLs where you can obtain information on other Texas Instruments products and application solutions:

### Products

|                             |  |
|-----------------------------|--|
| Amplifiers                  | <a href="http://amplifier.ti.com">amplifier.ti.com</a>             |
| Data Converters             | <a href="http://dataconverter.ti.com">dataconverter.ti.com</a>     |
| DLP® Products               | <a href="http://www.dlp.com">www.dlp.com</a>                       |
| DSP                         | <a href="http://dsp.ti.com">dsp.ti.com</a>                         |
| Clocks and Timers           | <a href="http://www.ti.com/clocks">www.ti.com/clocks</a>           |
| Interface                   | <a href="http://interface.ti.com">interface.ti.com</a>             |
| Logic                       | <a href="http://logic.ti.com">logic.ti.com</a>                     |
| Power Mgmt                  | <a href="http://power.ti.com">power.ti.com</a>                     |
| Microcontrollers            | <a href="http://microcontroller.ti.com">microcontroller.ti.com</a> |
| RFID                        | <a href="http://www.ti-rfid.com">www.ti-rfid.com</a>               |
| RF/IF and ZigBee® Solutions | <a href="http://www.ti.com/lprf">www.ti.com/lprf</a>               |

### Applications

|                    |  |
|--------------------|--|
| Audio              | <a href="http://www.ti.com/audio">www.ti.com/audio</a>                   |
| Automotive         | <a href="http://www.ti.com/automotive">www.ti.com/automotive</a>         |
| Broadband          | <a href="http://www.ti.com/broadband">www.ti.com/broadband</a>           |
| Digital Control    | <a href="http://www.ti.com/digitalcontrol">www.ti.com/digitalcontrol</a> |
| Medical            | <a href="http://www.ti.com/medical">www.ti.com/medical</a>               |
| Military           | <a href="http://www.ti.com/military">www.ti.com/military</a>             |
| Optical Networking | <a href="http://www.ti.com/opticalnetwork">www.ti.com/opticalnetwork</a> |
| Security           | <a href="http://www.ti.com/security">www.ti.com/security</a>             |
| Telephony          | <a href="http://www.ti.com/telephony">www.ti.com/telephony</a>           |
| Video & Imaging    | <a href="http://www.ti.com/video">www.ti.com/video</a>                   |
| Wireless           | <a href="http://www.ti.com/wireless">www.ti.com/wireless</a>             |

Mailing Address: Texas Instruments, Post Office Box 655303, Dallas, Texas 75265  
Copyright © 2009, Texas Instruments Incorporated