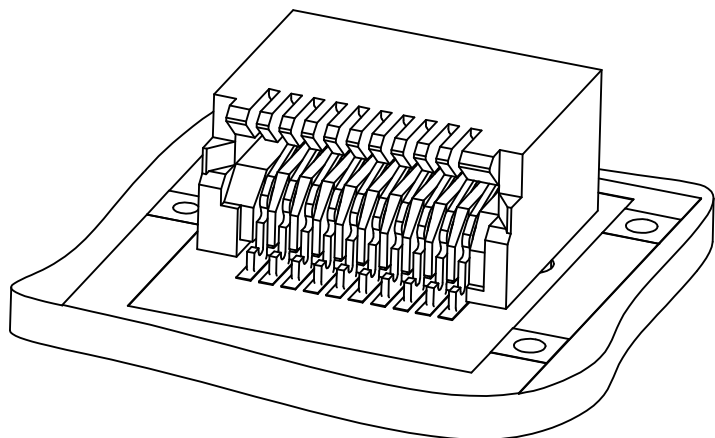


SALES ASSEMBLY DRAWINGS FOR SMALL FORM-FACTOR AND Z AXIS PLUGGABLE CONNECTORS

CKT SIZE	PART NUMBER	TOOLED	DESCRIPTION	"A"	"B"	"C"	"D"	MULTI-SOURCE AGREEMENT	CONNECTOR DRAWING	CIRCUIT BOARD DRAWING
20	74441-0001	YES	PLATED PER NOTE 2	1.10/.043	11.00/.433	9.40/.370	9.60/.378	SFP	PAGE 2	PAGE 3
	74441-0004	NO*	PLATED PER NOTE 2	0.76/.030						
	74441-0010	YES	PLATED PER NOTE 3	1.10/.043						
	74441-0014	NO*	PLATED PER NOTE 3	0.76/.030						
	74441-0021	YES	PLATED PER NOTE 4	1.10/.043						
	74441-0031	YES	PLATED PER NOTE 5	1.10/.043						
30	74441-0007	YES	PLATED PER NOTE 2	1.10/.043	15.00/.591	13.40/.528	13.60/.535	XFP	PAGE 2	PAGE 4
	74441-0017	YES	PLATED PER NOTE 3	1.10/.043						
	74441-0027	YES	PLATED PER NOTE 4	1.10/.043						
40	74441-0005	YES	PLATED PER NOTE 2	1.10/.043	19.00/.748	17.40/.685	17.60/.693		PAGE 2	PAGE 5
	74441-0015	YES	PLATED PER NOTE 3	1.10/.043						
	74441-0025	YES	PLATED PER NOTE 4	1.10/.043						
50	74441-0008	YES	PLATED PER NOTE 2	1.10/.043	23.00/.906	21.40/.843	21.60/.850		PAGE 2	PAGE 6
	74441-0018	YES	PLATED PER NOTE 3	1.10/.043						
	74441-0028	YES	PLATED PER NOTE 4	1.10/.043						
	74441-0038	YES	PLATED PER NOTE 5	1.10/.043						
70	74441-0003	YES	PLATED PER NOTE 2	1.10/.043	31.00/1.220	29.40/1.157	29.60/1.165	XENPAK XPAK X2	PAGE 2	PAGE 7
	74441-0013	YES	PLATED PER NOTE 3	1.10/.043						
	74441-0023	YES	PLATED PER NOTE 4	1.10/.043						
	74441-0033	YES	PLATED PER NOTE 5	1.10/.043						

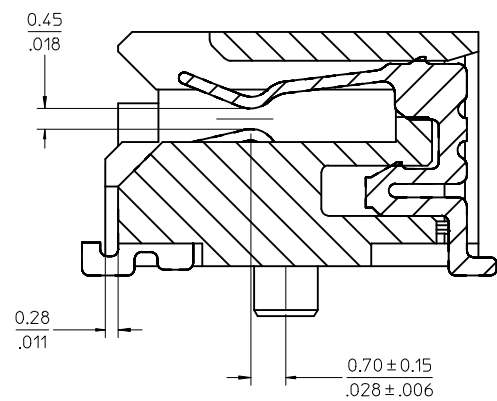
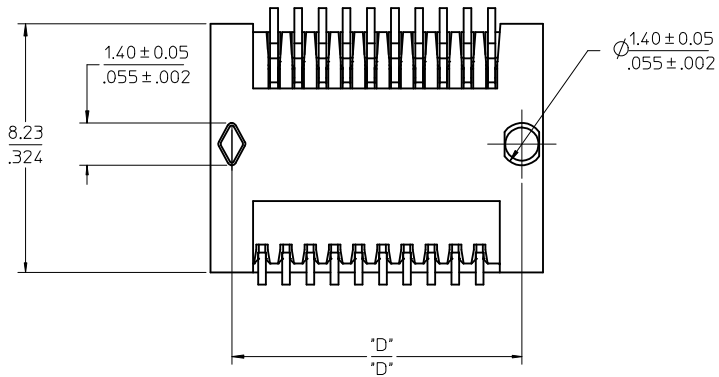
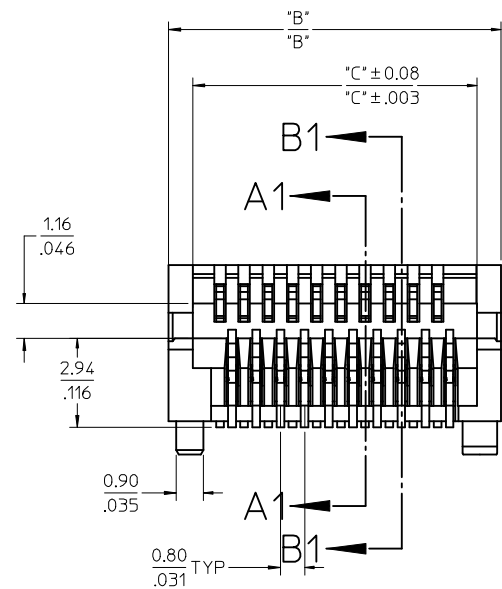
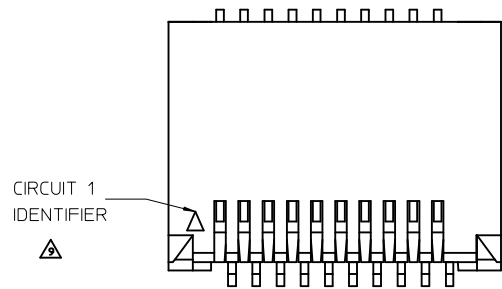


NOTES

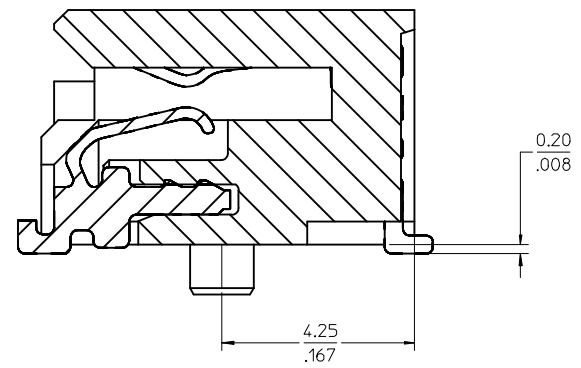
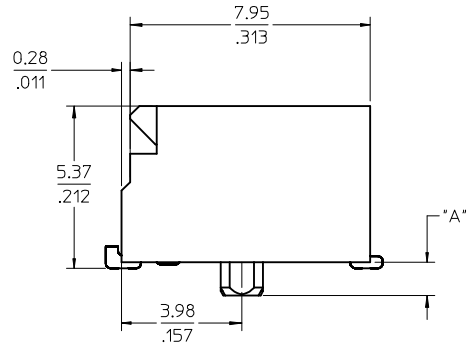
- MATERIAL:**  
HOUSING - HIGH TEMPERATURE THERMOPLASTIC GLASS FILLED, UL 94V-0, BLACK  
TERMINALS - COPPER ALLOY
- PLATING:**  
CONTACT AREA - 0.38 μm MIN GOLD OVER 2.54 μm MIN NICKEL  
SOLDER FOOT AREA - 2.54 - 5.09 μm TIN OVER 2.54 μm MIN NICKEL.
- PLATING:**  
CONTACT AREA - 0.76 μm MIN GOLD OVER 2.54 μm NICKEL  
SOLDER AREA - 2.54 -5.09 μm TIN OVER 2.54 μm MIN NICKEL
- PLATING:**  
CONTACT AREA - 0.76 μm MIN GOLD OVER 2.54 μm NICKEL, LUBRICATED  
SOLDER AREA: GOLD FLASH OVER 2.54 μm MIN NICKEL.
- PLATING:**  
CONTACT AREA - 0.76 μm MIN GOLD OVER 2.54 μm NICKEL,  
SOLDER AREA: GOLD FLASH OVER 2.54 μm MIN NICKEL.
- PLATING:**  
CONTACT AREA - 0.38 μm MIN GOLD OVER 2.54 μm NICKEL,  
SOLDER AREA: GOLD FLASH OVER 2.54 μm MIN NICKEL.
- TERMINAL SOLDER FEET TO BE COPLANAR WITHIN 0.10/.004 FOR 20, 30 AND 40 CIRCUIT CONNECTORS  
TERMINAL SOLDER FEET TO BE COPLANAR WITHIN 0.15/.006 FOR 70 CIRCUIT CONNECTOR
- \* CONTACT PLANT FOR MORE INFORMATION
- DATE CODE: 4 DIGIT (3 DIGIT DATE, 1 DIGIT YEAR)
- CIRCUIT 1 IDENTIFIER LOCATED ON ALL PART NUMBERS

ADD -0041 EC NO: UCP2009-1455 DRWN:MS BARRA 2009/01/15 CHKD:BSMART 2009/01/15 APPR:SMILLER 2009/01/16	QUALITY SYMBOLS	GENERAL TOLERANCES (UNLESS SPECIFIED)	DIMENSION STYLE	SCALE	DESIGN UNITS	THIRD ANGLE PROJECTION	
	▽=0 ▽=0	mm INCH 4 PLACES ± --- ± --- 3 PLACES ± --- ± --- 2 PLACES ± 0.13 ± .005 1 PLACE ± 0.25 ± .010 ANGULAR ± 1/2°	MM/IN	1:1	METRIC	DRAWN BY DATE HAVERY 00/04/06 CHECKED BY DATE KSWEENEY 00/04/06 APPROVED BY DATE MBANAKIS 00/04/06	
		DRAFT WHERE APPLICABLE MUST REMAIN WITHIN DIMENSIONS	SEE TABLE	TITLE SALES ASSEMBLY Z AXIS PLUGGABLE PCB CONNECTOR		MOLEX INCORPORATED SD-74441-001	
				MATERIAL NO. DOCUMENT NO.		SHEET NO. 1 OF 7	

THIS DRAWING CONTAINS INFORMATION THAT IS PROPRIETARY TO MOLEX INCORPORATED AND SHOULD NOT BE USED WITHOUT WRITTEN PERMISSION

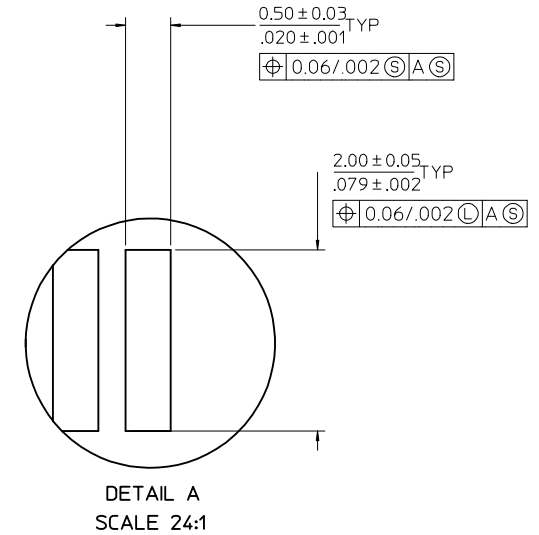
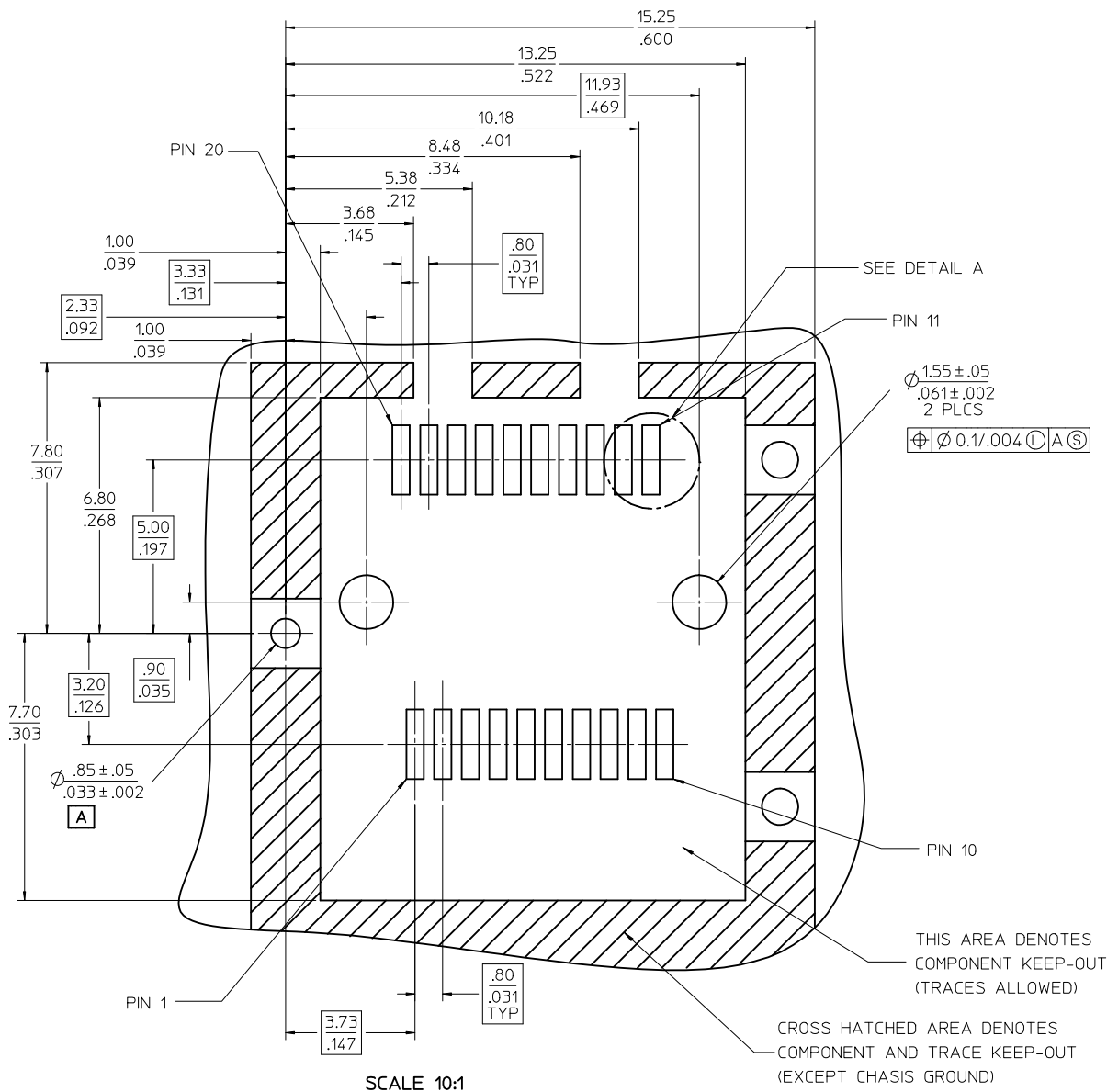


SECTION A1-A1  
SCALE 12:1



SECTION B1-B1  
SCALE 12:1

SEE SHEET 1 EC NO: UCP2009-1455 DRWN:MS BARRA 2009/01/15 CHKD:BSMART 2009/01/15 APPR:SMILLER 2009/01/16	DESCRIPTION QUALITY SYMBOLS ▽=0 ▽=0	GENERAL TOLERANCES (UNLESS SPECIFIED)		DIMENSION STYLE	SCALE	DESIGN UNITS	THIRD ANGLE PROJECTION	
				MM/IN	6:1	METRIC		
		4 PLACES ± --- ± ---	3 PLACES ± --- ± ---	DRAWN BY	DATE	SALES ASSEMBLY Z AXIS PLUGGABLE PCB CONNECTOR		
		2 PLACES ± 0.13 ± .005	1 PLACE ± 0.25 ± .010	HAVERY	00/04/06			
ANGULAR ±1/2°		APPROVED BY	DATE	MOLEX INCORPORATED SD-74441-001				
DRAFT WHERE APPLICABLE MUST REMAIN WITHIN DIMENSIONS		MBANAKIS	00/04/06					
		SEE TABLE		DOCUMENT NO.		SHEET NO.		
		C		THIS DRAWING CONTAINS INFORMATION THAT IS PROPRIETARY TO MOLEX INCORPORATED AND SHOULD NOT BE USED WITHOUT WRITTEN PERMISSION		2 OF 7		

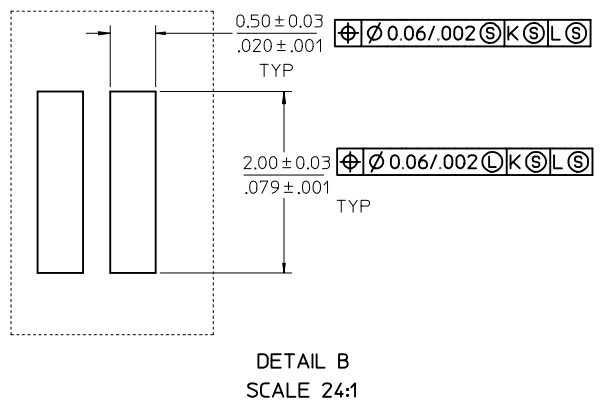
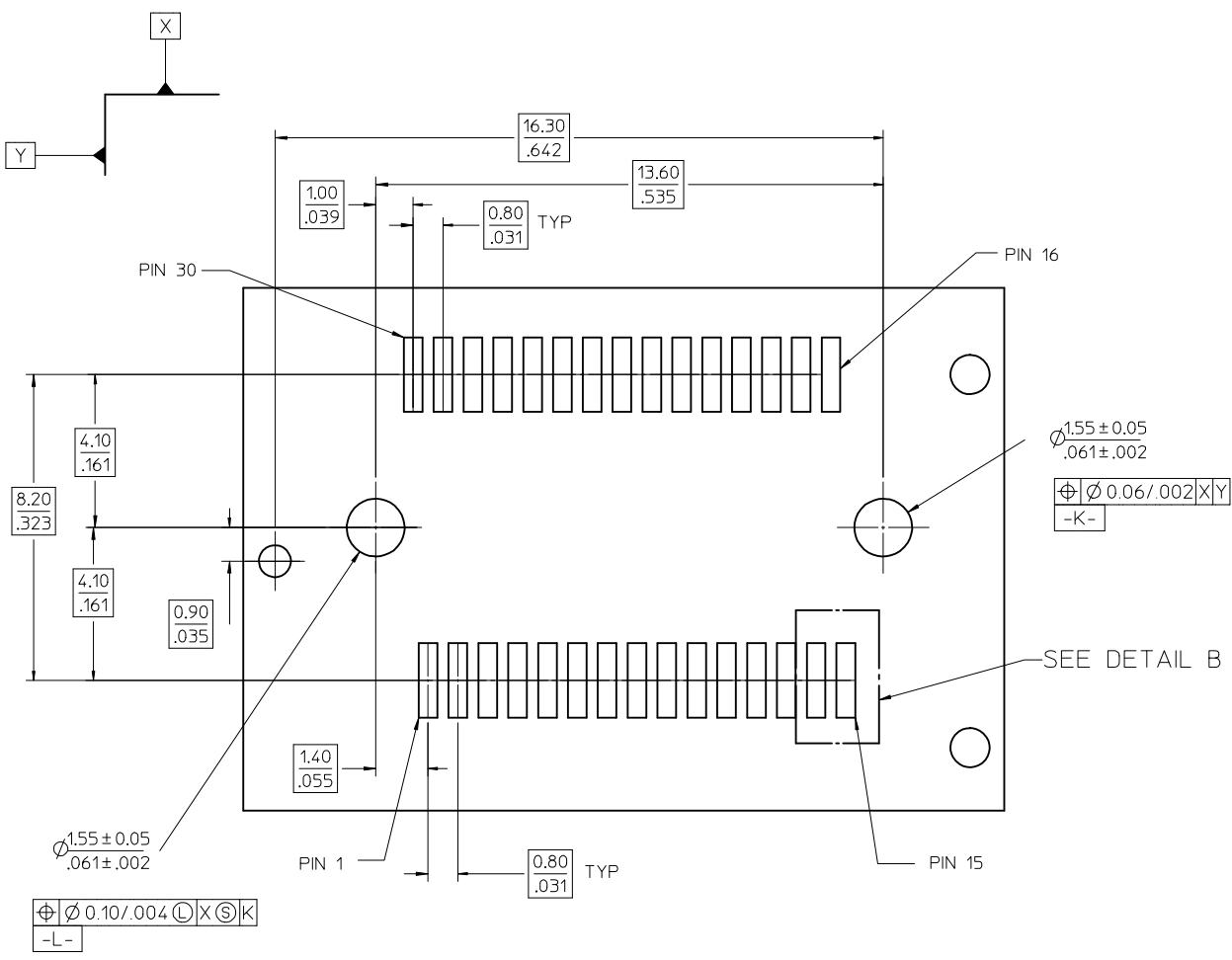


# 20 CIRCUIT MOTHER BOARD RECOMMENDED PCB LAYOUT

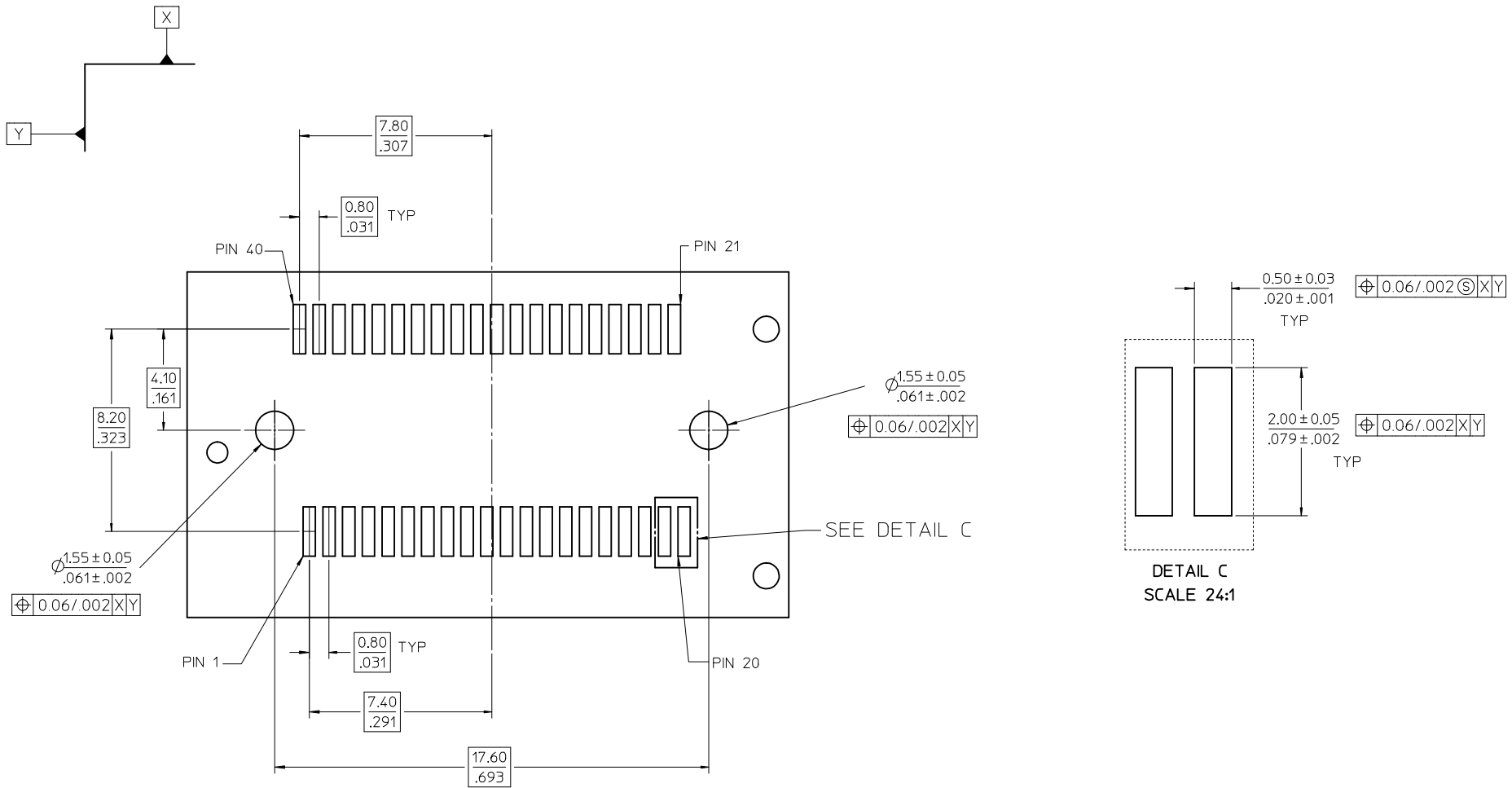
<b>SEE SHEET 1</b> EC NO: UCP2009-1455 DRAWN BY: DRWINNISI BARRA CHECKED BY: CHKDBSMART APPR: SMILLER DATE: 2009/01/15 DATE: 2009/01/15 DATE: 2009/01/16	QUALITY SYMBOLS ▽=0 ▽=0	GENERAL TOLERANCES (UNLESS SPECIFIED) <table border="1"> <thead> <tr> <th></th> <th>mm</th> <th>INCH</th> </tr> </thead> <tbody> <tr> <td>4 PLACES</td> <td>± .005</td> <td>± .0005</td> </tr> <tr> <td>3 PLACES</td> <td>± .005</td> <td>± .0005</td> </tr> <tr> <td>2 PLACES</td> <td>± 0.13</td> <td>± .005</td> </tr> <tr> <td>1 PLACE</td> <td>± 0.25</td> <td>± .010</td> </tr> </tbody> </table>		mm	INCH	4 PLACES	± .005	± .0005	3 PLACES	± .005	± .0005	2 PLACES	± 0.13	± .005	1 PLACE	± 0.25	± .010	DIMENSION STYLE <b>MM/IN</b>	SCALE <b>8:1</b>	DESIGN UNITS <b>METRIC</b>	THIRD ANGLE PROJECTION
		mm	INCH																		
	4 PLACES	± .005	± .0005																		
	3 PLACES	± .005	± .0005																		
2 PLACES	± 0.13	± .005																			
1 PLACE	± 0.25	± .010																			
DRAWN BY HAVERY DATE 00/04/06	CHECKED BY KSWEENEY DATE 00/04/06	APPROVED BY MBANAKIS DATE 00/04/06	<b>SALES ASSEMBLY Z AXIS PLUGGABLE PCB CONNECTOR</b>																		
MATERIAL NO. <b>SEE TABLE</b>			DOCUMENT NO. <b>SD-74441-001</b>		SHEET NO. <b>3 OF 7</b>																
DRAFT WHERE APPLICABLE MUST REMAIN WITHIN DIMENSIONS																					

THIS DRAWING CONTAINS INFORMATION THAT IS PROPRIETARY TO MOLEX INCORPORATED AND SHOULD NOT BE USED WITHOUT WRITTEN PERMISSION

# 30 CIRCUIT MOTHER BOARD RECOMMENDED PCB LAYOUT



SEE SHEET 1 EC NO: UCP2009-1455 DRWN:MS BARRA 2009/01/15 CHKD:BSMART 2009/01/15 APPR:SMILLER 2009/01/16	QUALITY SYMBOLS	GENERAL TOLERANCES (UNLESS SPECIFIED)		DIMENSION STYLE	SCALE	DESIGN UNITS	THIRD ANGLE PROJECTION	
	$\nabla=0$ $\nabla=0$	mm	INCH	MM/IN	6:1	METRIC		
		4 PLACES ± --- ± ---	3 PLACES ± --- ± ---	DRAWN BY	DATE	TITLE		
		2 PLACES ± 0.13 ± .005	1 PLACE ± 0.25 ± .010	HAVERY	00/04/06	SALES ASSEMBLY Z AXIS PLUGGABLE PCB CONNECTOR		
	ANGULAR ± 1/2°		DRAFT WHERE APPLICABLE MUST REMAIN WITHIN DIMENSIONS	CHECKED BY	DATE	MOLEX INCORPORATED		
				MBANAK IS	00/04/06	DOCUMENT NO. SD-74441-001		
				SEE TABLE		SHEET NO. 4 OF 7		
				THIS DRAWING CONTAINS INFORMATION THAT IS PROPRIETARY TO MOLEX INCORPORATED AND SHOULD NOT BE USED WITHOUT WRITTEN PERMISSION				

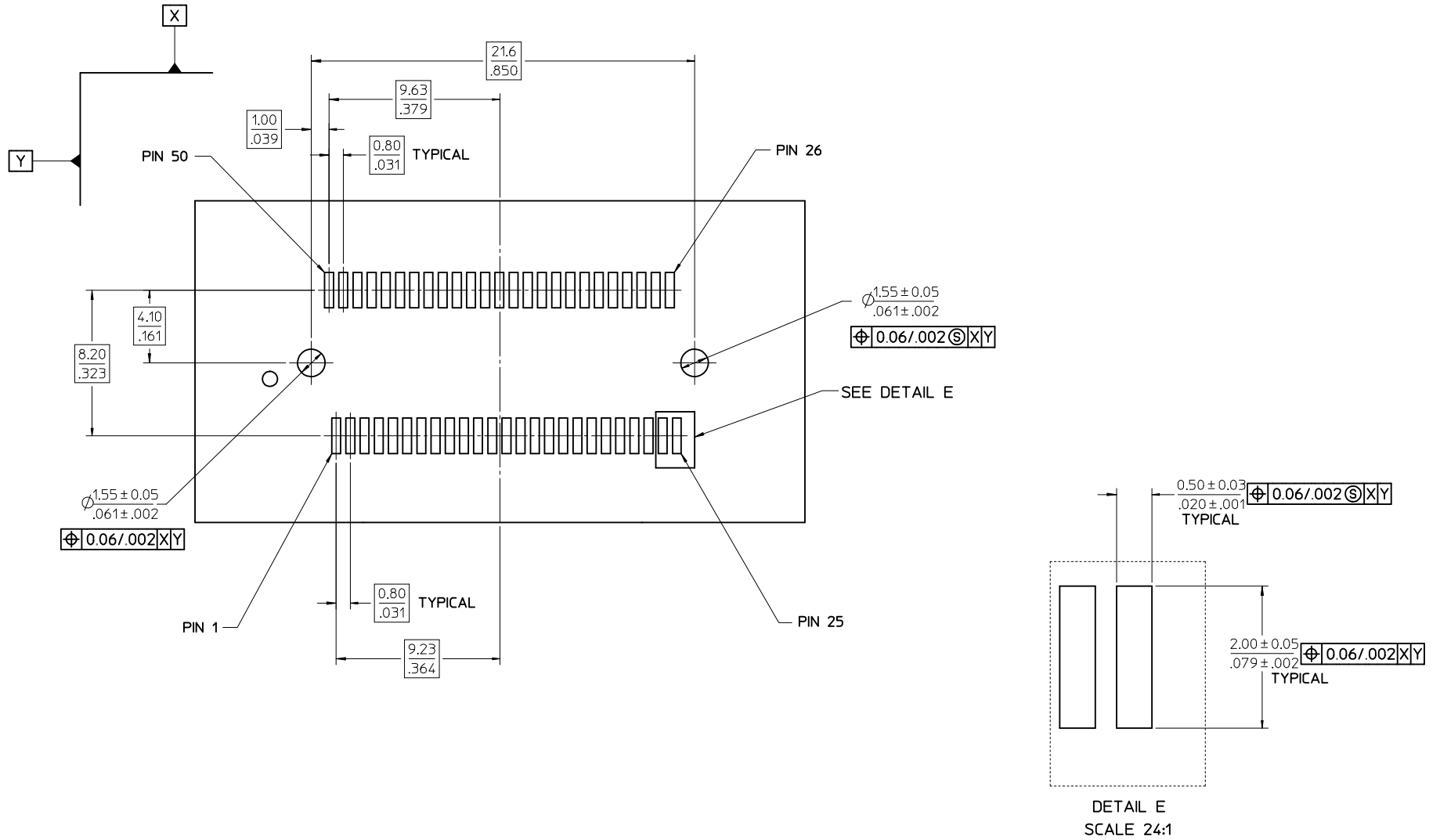


40 CIRCUIT MOTHER BOARD  
RECOMMENDED PCB LAYOUT

<b>SEE SHEET 1</b> EC NO: UCP2009-1455 DRWN:MSI BARRA 2009/01/15 CHKD:BSMART 2009/01/15 APPR:SMILLER 2009/01/16	QUALITY SYMBOLS ▽=0 ▽=0	GENERAL TOLERANCES (UNLESS SPECIFIED) <table border="1"> <thead> <tr> <th></th> <th>mm</th> <th>INCH</th> </tr> </thead> <tbody> <tr> <td>4 PLACES</td> <td>± .13</td> <td>± .005</td> </tr> <tr> <td>3 PLACES</td> <td>± .13</td> <td>± .005</td> </tr> <tr> <td>2 PLACES</td> <td>± 0.25</td> <td>± .010</td> </tr> <tr> <td>1 PLACE</td> <td>± 0.25</td> <td>± .010</td> </tr> </tbody> </table>		mm	INCH	4 PLACES	± .13	± .005	3 PLACES	± .13	± .005	2 PLACES	± 0.25	± .010	1 PLACE	± 0.25	± .010	DIMENSION STYLE <b>MM/IN</b>	SCALE <b>6:1</b>	DESIGN UNITS <b>METRIC</b>	THIRD ANGLE PROJECTION
		mm	INCH																		
	4 PLACES	± .13	± .005																		
	3 PLACES	± .13	± .005																		
2 PLACES	± 0.25	± .010																			
1 PLACE	± 0.25	± .010																			
DRAWN BY HAVERY	DATE 00/04/06	TITLE <b>SALES ASSEMBLY Z AXIS PLUGGABLE PCB CONNECTOR</b>																			
CHECKED BY KSWEENEY	DATE 00/04/06	<b>Molex MOLEX INCORPORATED</b>																			
APPROVED BY MBANAKIS	DATE 00/04/06	MATERIAL NO. <b>SEE TABLE</b>	DOCUMENT NO. <b>SD-74441-001</b>	SHEET NO. <b>5 OF 7</b>																	

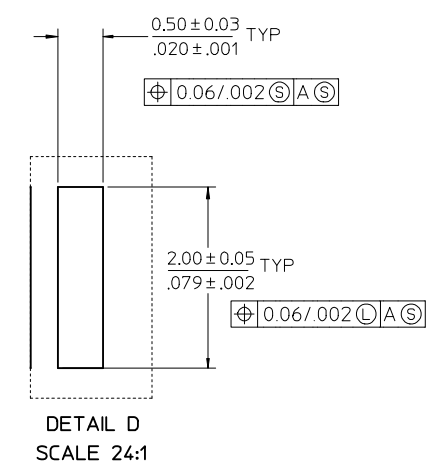
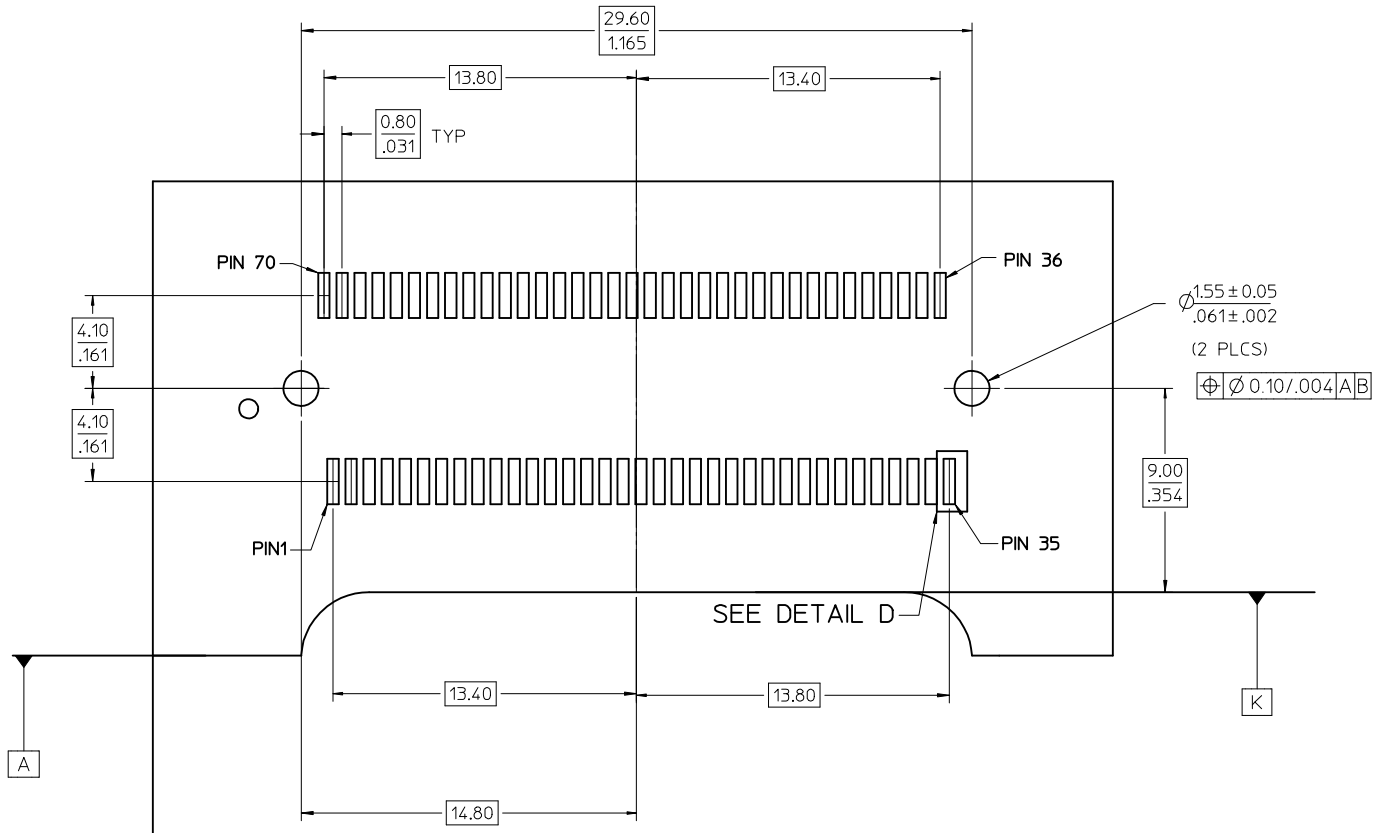
DRAFT WHERE APPLICABLE MUST REMAIN WITHIN DIMENSIONS

THIS DRAWING CONTAINS INFORMATION THAT IS PROPRIETARY TO MOLEX INCORPORATED AND SHOULD NOT BE USED WITHOUT WRITTEN PERMISSION



50 CIRCUIT MOTHER BOARD  
RECOMMENDED PCB LAYOUT

<b>SEE SHEET 1</b> EC NO: UCP2009-1455 DRAWN BY: IBARRA 2009/01/15 CHKD BY: SMART 2009/01/15 APPR: MILLER 2009/01/16	QUALITY SYMBOLS ▼=0 ▽=0	GENERAL TOLERANCES (UNLESS SPECIFIED) <table border="1"> <thead> <tr> <th></th> <th>mm</th> <th>INCH</th> </tr> </thead> <tbody> <tr> <td>4 PLACES</td> <td>± .---</td> <td>± .---</td> </tr> <tr> <td>3 PLACES</td> <td>± .---</td> <td>± .---</td> </tr> <tr> <td>2 PLACES</td> <td>± 0.13</td> <td>± .005</td> </tr> <tr> <td>1 PLACE</td> <td>± 0.25</td> <td>± .010</td> </tr> </tbody> </table>		mm	INCH	4 PLACES	± .---	± .---	3 PLACES	± .---	± .---	2 PLACES	± 0.13	± .005	1 PLACE	± 0.25	± .010	DIMENSION STYLE <b>MM/IN</b> DRAWN BY: HAVERY DATE: 00/04/06 CHECKED BY: KSWEENEY DATE: 00/04/06 APPROVED BY: MBANAKIS DATE: 00/04/06	SCALE <b>6:1</b> DESIGN UNITS <b>METRIC</b> THIRD ANGLE PROJECTION	TITLE <b>SALES ASSEMBLY Z AXIS PLUGGABLE PCB CONNECTOR</b>
		mm	INCH																	
	4 PLACES	± .---	± .---																	
	3 PLACES	± .---	± .---																	
2 PLACES	± 0.13	± .005																		
1 PLACE	± 0.25	± .010																		
MATERIAL NO. <b>SEE TABLE</b>	DOCUMENT NO. <b>SD-74441-001</b>	SHEET NO. <b>6 OF 7</b>	<b>MOLEX INCORPORATED</b>																	
DRAFT WHERE APPLICABLE MUST REMAIN WITHIN DIMENSIONS	THIS DRAWING CONTAINS INFORMATION THAT IS PROPRIETARY TO MOLEX INCORPORATED AND SHOULD NOT BE USED WITHOUT WRITTEN PERMISSION																			



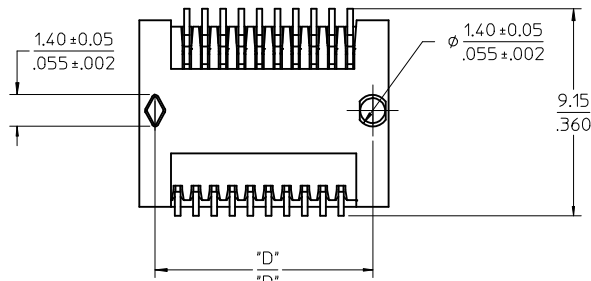
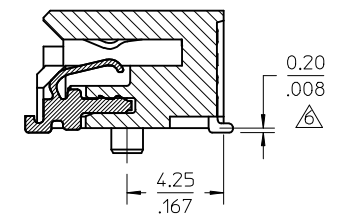
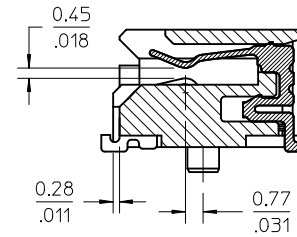
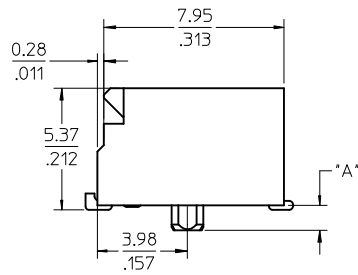
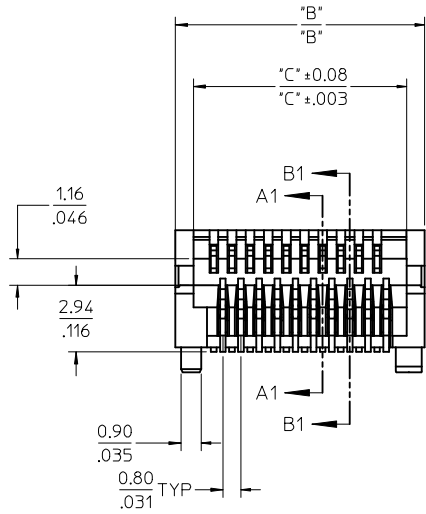
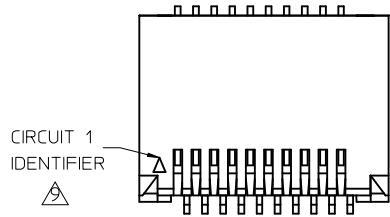
70 CIRCUIT MOTHER BOARD  
RECOMMENDED PCB LAYOUT

SEE SHEET 1 EC NO: UCP2009-1455 DRAWN BY: DRWN:MS.BARRA 2009/01/15 CHECKED BY: CHKD:BSMART 2009/01/15 APPR:SMILLER 2009/01/16	DESCRIPTION REVISIONS 0 0	QUALITY SYMBOLS		GENERAL TOLERANCES (UNLESS SPECIFIED)		DIMENSION STYLE		SCALE	DESIGN UNITS	THIRD ANGLE PROJECTION	
						MM/IN		6:1	METRIC		
								DRAWN BY		DATE	
								CHECKED BY		DATE	
						APPROVED BY		DATE		MOLEX INCORPORATED SD-74441-001	
						MATERIAL NO.		DOCUMENT NO.			
						SEE TABLE		SD-74441-001		SHEET NO.	
						DRAFT WHERE APPLICABLE MUST REMAIN WITHIN DIMENSIONS		THIS DRAWING CONTAINS INFORMATION THAT IS PROPRIETARY TO MOLEX INCORPORATED AND SHOULD NOT BE USED WITHOUT WRITTEN PERMISSION		7 OF 7	

CKT SIZE	PART NUMBER	DESCRIPTION	"A"	"B"	"C"	"D"
20	74441-9001	PLATED PER NOTE 2	1.10/.043	11.00/.433	9.40/.378	9.60/.378
20	74441-9010	PLATED PER NOTE 3	1.10/.043	11.00/.433	9.40/.378	9.60/.378
30	74441-9007	PLATED PER NOTE 2	1.10/.043	15.00/.591	13.40/.528	13.60/.535
40	74441-9005	PLATED PER NOTE 2	1.10/.043	19.00/.748	17.40/.685	17.60/.693
70	74441-9003	PLATED PER NOTE 2	1.10/.043	31.00/1.220	29.40/1.1517	29.60/1.165

NOTES

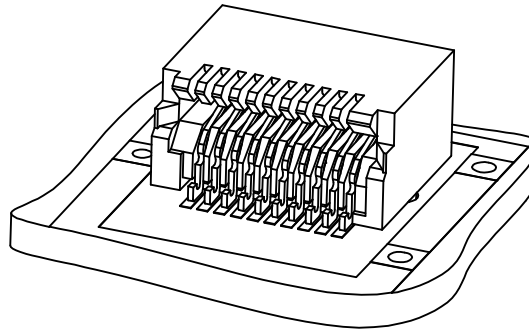
- MATERIAL:  
HOUSING - HIGH TEMPERATURE THERMOPLASTIC GLASS FILLED, UL 94V-0, BLACK  
TERMINALS - COPPER ALLOY
  - PLATING:  
CONTACT AREA - 0.38  $\mu$ m MIN GOLD OVER 2.54  $\mu$ m MIN NICKEL  
SOLDER FOOT AREA - 2.54 - 5.09  $\mu$ m TIN OVER 2.54  $\mu$ m MIN NICKEL.
  - PLATING:  
CONTACT AREA - 0.76  $\mu$ m MIN GOLD OVER 2.54  $\mu$ m NICKEL  
SOLDER AREA - 2.54 - 5.09  $\mu$ m TIN OVER 2.54  $\mu$ m MIN NICKEL
  - PLATING:  
CONTACT AREA - 0.76  $\mu$ m MIN GOLD OVER 2.54  $\mu$ m NICKEL, LUBRICATED  
SOLDER AREA: GOLD FLASH OVER 2.54  $\mu$ m MIN NICKEL.
  - PLATING:  
CONTACT AREA - 0.76  $\mu$ m MIN GOLD OVER 2.54  $\mu$ m NICKEL,  
SOLDER AREA: GOLD FLASH OVER 2.54  $\mu$ m MIN NICKEL.
- ⚠ TERMINAL SOLDER FEET TO BE COPLANAR WITHIN 0.10/.004 FOR 20, 30 AND 40 CIRCUIT CONNECTORS  
TERMINAL SOLDER FEET TO BE COPLANAR WITHIN 0.15/.006 FOR 70 CIRCUIT CONNECTOR
7. \* CONTACT PLANT FOR MORE INFORMATION
8. DATE CODE: 4 DIGIT (3 DIGIT DATE, 1 DIGIT YEAR)
- ⚠ CIRCUIT 1 IDENTIFIER LOCATED ON ALL PART NUMBERS



INITIAL RELEASE EC NO: UCP2010-0714 DRW:MS IBARRA 2009/09/16 CHKD:BBARKER 2009/09/24 APPR:SMILLER 2009/09/24	DESCRIPTION REV	QUALITY SYMBOLS	GENERAL TOLERANCES (UNLESS SPECIFIED)	DIMENSION STYLE	SCALE	DESIGN UNITS	THIRD ANGLE PROJECTION	
		▽=0	mm INCH	MM/IN	6:1	METRIC	⊙	
		▽=0	4 PLACES ± --- ± ---	DRAWN BY DATE	TITLE	SALES ASSEMBLY- LEADFREE Z AXIS PLUGGABLE PCB CONNECTOR		
		▽=0	3 PLACES ± --- ± ---	CHECKED BY DATE	MS IBARRA 2009/09/16			
			ANGULAR ± 1/2°	APPROVED BY DATE	molex MOLEX INCORPORATED			
			DRAFT WHERE APPLICABLE MUST REMAIN WITHIN DIMENSIONS	SMILLER 2009/09/16				
				MATERIAL NO.	DOCUMENT NO.	SHEET NO.		
				SEE TABLE	SD-74441-004	1 OF 6		
				THIS DRAWING CONTAINS INFORMATION THAT IS PROPRIETARY TO MOLEX INCORPORATED AND SHOULD NOT BE USED WITHOUT WRITTEN PERMISSION				

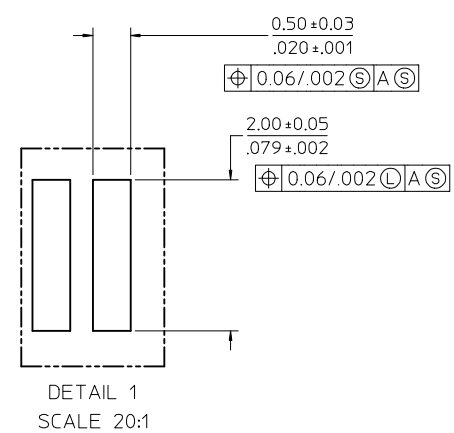
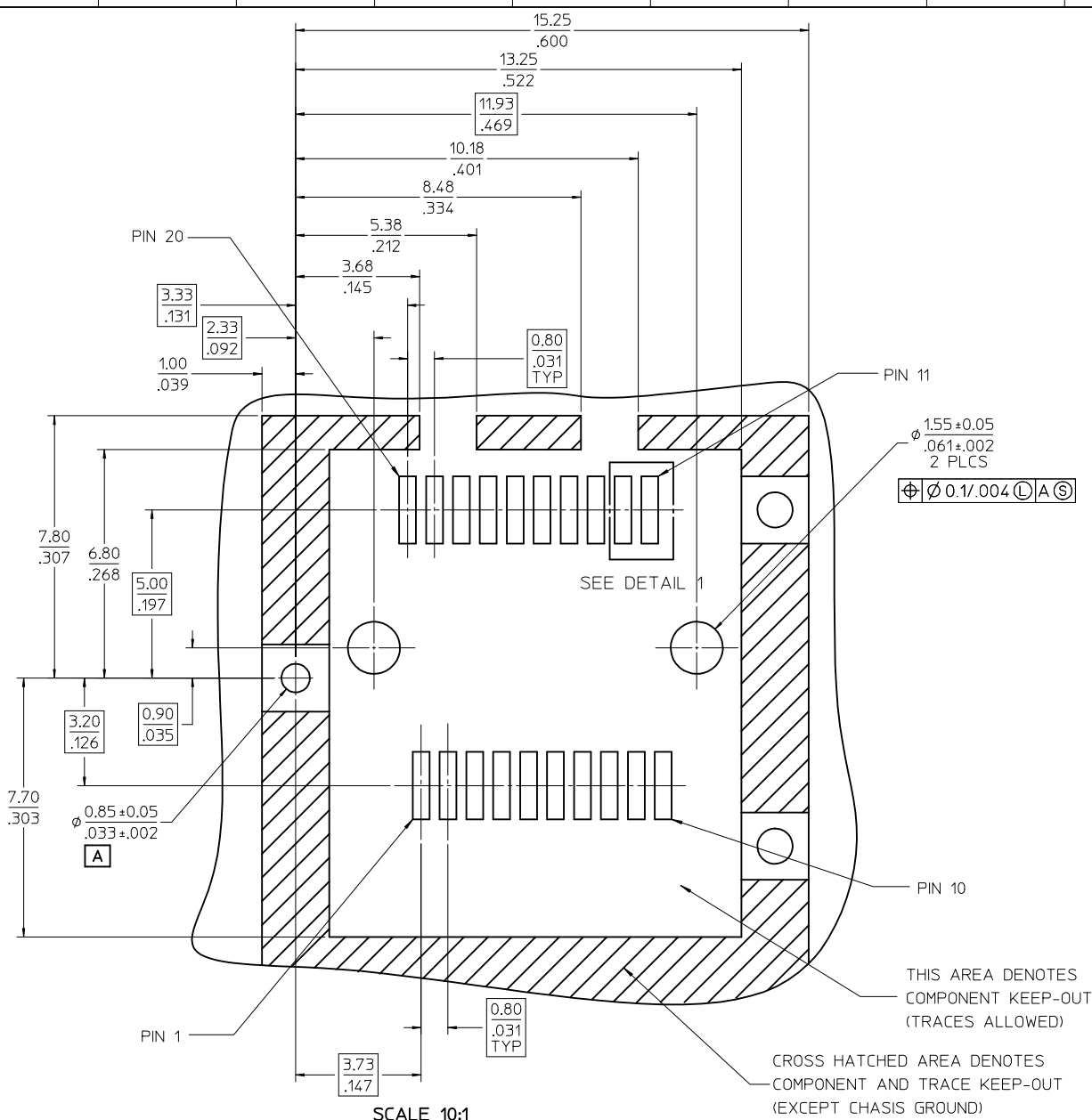


SALES ASSEMBLY DRAWINGS FOR SMALL FORM-FACTOR AND Z AXIS PLUGGABLE CONNECTORS



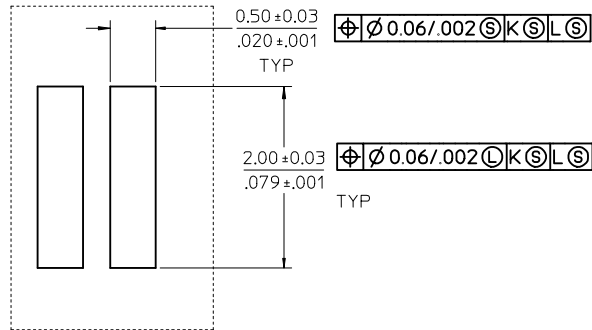
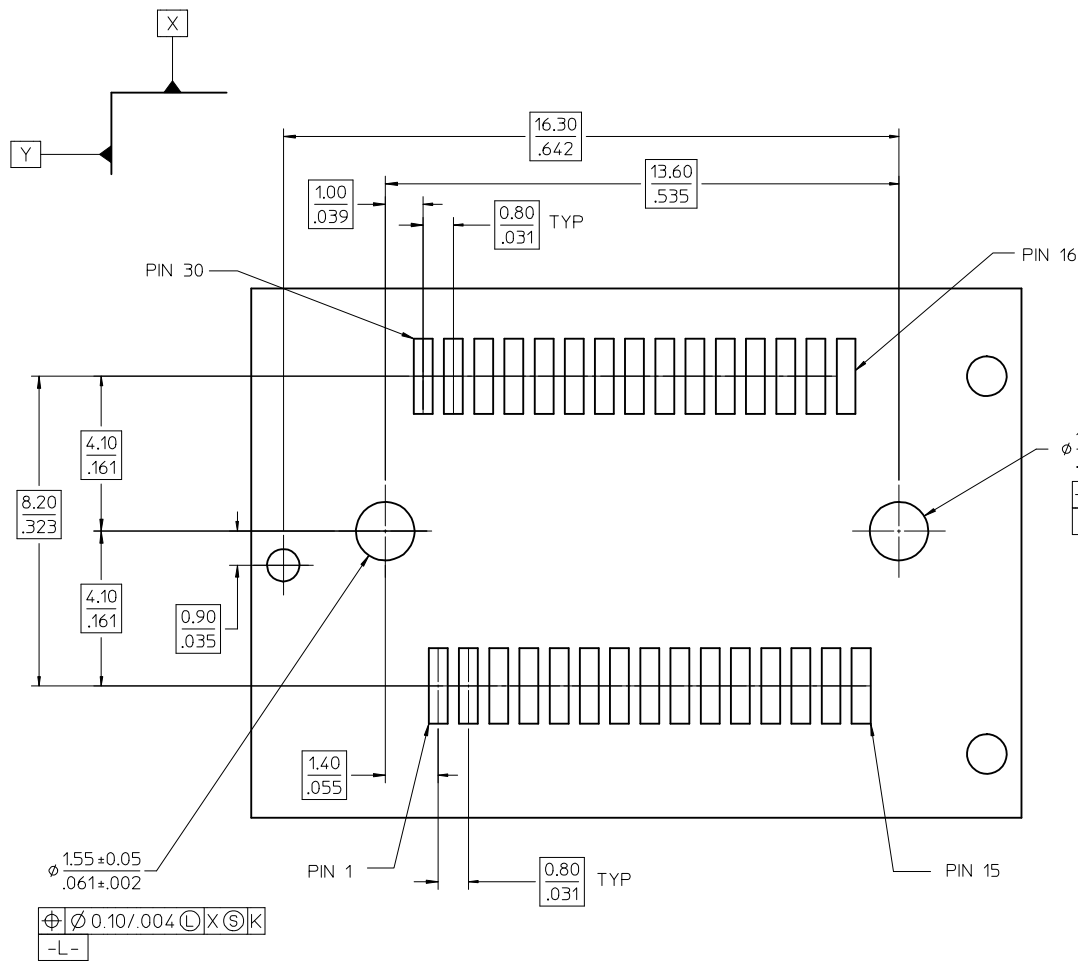
CIRCUIT SIZE	MSA	CONNECTOR DRAWING	CIRCUIT BOARD DRAWING
20	SFP	PAGE 2	PAGE 3
30	XFP	PAGE 2	PAGE 4
40		PAGE 2	PAGE 5
70	XENPAK XPAK X2	PAGE 2	PAGE 6

INITIAL RELEASE EC NO: UCP2010-0714 DRW:MSIBARRA 2009/09/16 CHKD:BBARKER 2009/09/24 APPR:SMILLER 2009/09/24	QUALITY SYMBOLS ▽=0 ▽=0 ▽=0	GENERAL TOLERANCES (UNLESS SPECIFIED)		DIMENSION STYLE MM/IN		SCALE 1:1	DESIGN UNITS METRIC	THIRD ANGLE PROJECTION		
		4 PLACES	± ---	± ---	DRAWN BY MSIBARRA	DATE 2009/09/16	TITLE SALES ASSEMBLY- LEADFREE Z AXIS PLUGGABLE PCB CONNECTOR			
		3 PLACES	± ---	± ---	CHECKED BY BBARKER	DATE 2009/09/16				
		2 PLACES	± ---	± ---	APPROVED BY SMILLER		DATE 2009/09/16	MOLEX INCORPORATED		SHEET NO. 2 OF 6
1 PLACE	± ---	± ---	MATERIAL NO. SEE TABLE		DOCUMENT NO. SD-74441-004					
DRAFT WHERE APPLICABLE MUST REMAIN WITHIN DIMENSIONS		ANGULAR ±1/2°		THIS DRAWING CONTAINS INFORMATION THAT IS PROPRIETARY TO MOLEX INCORPORATED AND SHOULD NOT BE USED WITHOUT WRITTEN PERMISSION						



20 CIRCUIT MOTHER BOARD  
RECOMMENDED PCB LAYOUT

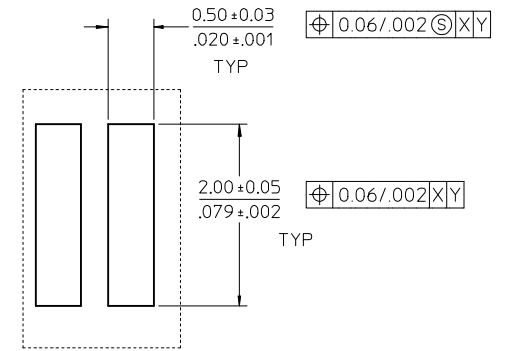
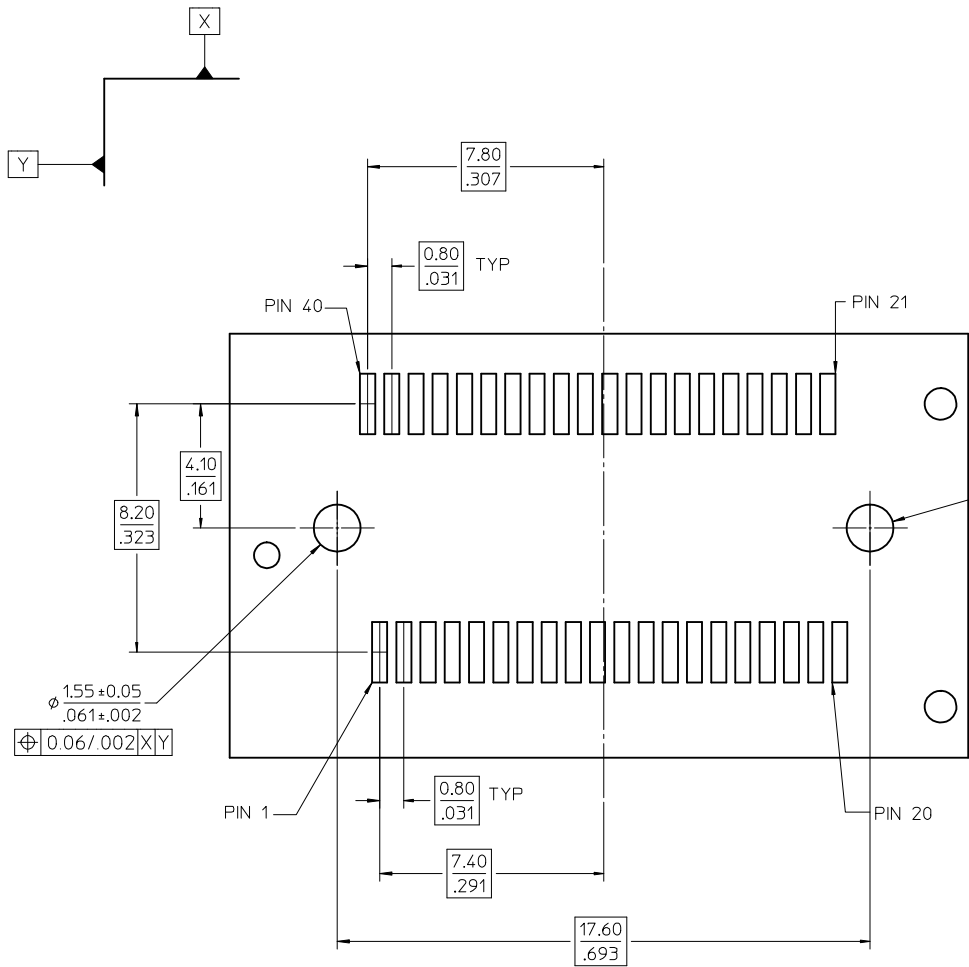
INITIAL RELEASE EC NO: UCP2010-0714 DRW:MSI BARRA 2009/09/16 CHKD:BBARKER 2009/09/16 APPR:SMILLER 2009/09/16	QUALITY SYMBOLS ▽=0 ▽=0 ▽=0	GENERAL TOLERANCES (UNLESS SPECIFIED)		DIMENSION STYLE <b>MM/IN</b>	SCALE <b>8:1</b>	DESIGN UNITS <b>METRIC</b>	THIRD ANGLE PROJECTION	
		4 PLACES ± --- ± ---	DRAWN BY MSI BARRA	DATE 2009/09/16	TITLE <b>SALES ASSEMBLY- LEADFREE Z AXIS PLUGGABLE PCB CONNECTOR</b>			
		3 PLACES ± --- ± ---	CHECKED BY BBARKER	DATE 2009/09/16	MOLEX INCORPORATED			
		2 PLACES ± --- ± ---	APPROVED BY SMILLER	DATE 2009/09/16	DOCUMENT NO. <b>SD-74441-004</b>			
1 PLACE ± --- ± ---	ANGULAR ±1/2°	MATERIAL NO. <b>SEE TABLE</b>	SHEET NO. <b>3 OF 6</b>					
DRAFT WHERE APPLICABLE MUST REMAIN WITHIN DIMENSIONS		SIZE <b>C</b>	THIS DRAWING CONTAINS INFORMATION THAT IS PROPRIETARY TO MOLEX INCORPORATED AND SHOULD NOT BE USED WITHOUT WRITTEN PERMISSION					



DETAIL B  
SCALE 24:1

30 CIRCUIT MOTHER BOARD  
RECOMMENDED PCB LAYOUT

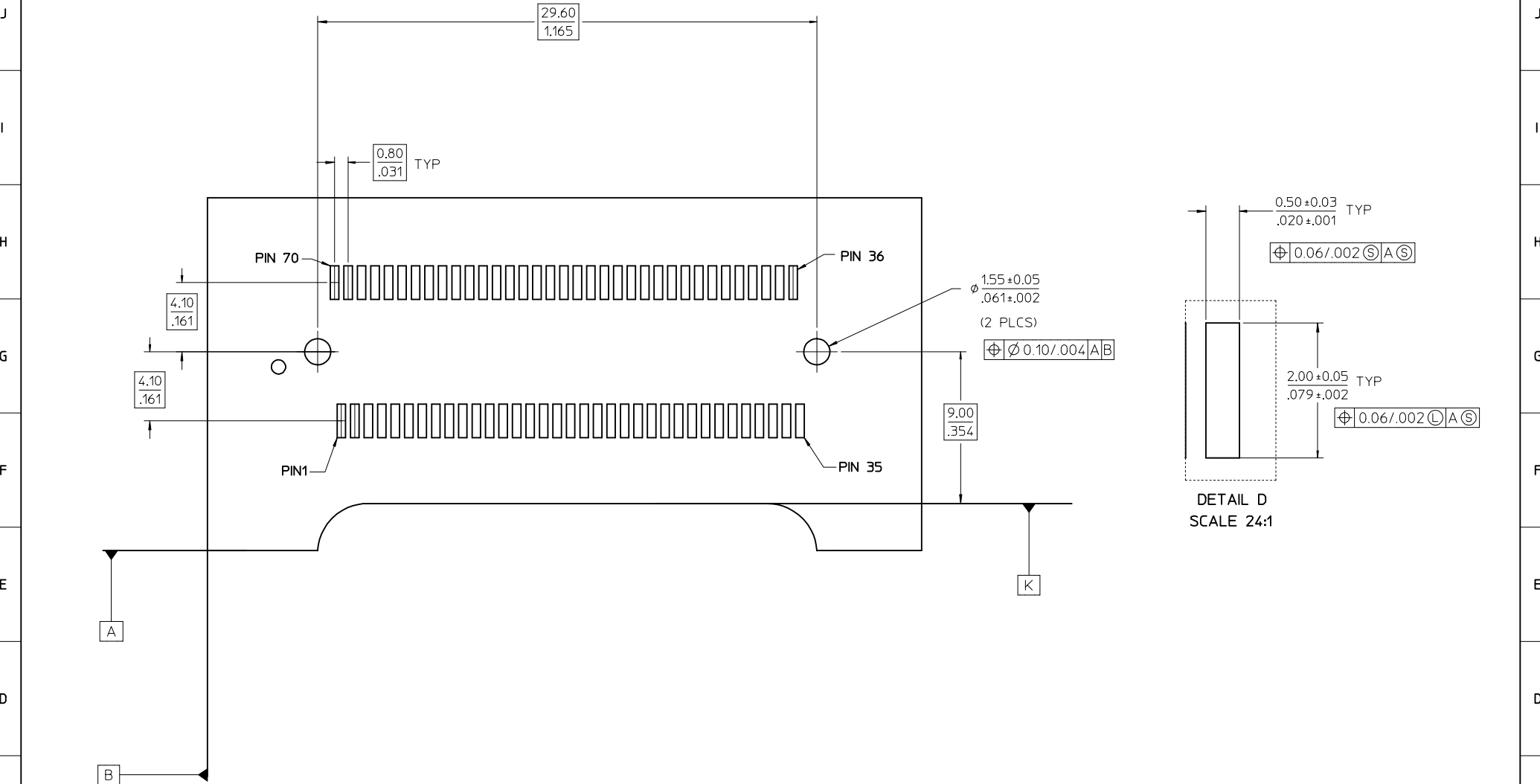
INITIAL RELEASE EC NO: UCP2010-0714 DRW:MS IBARRA 2009/09/16 CHKD:BBARKER 2009/09/24 APPR:SMILLER 2009/09/24	QUALITY SYMBOLS ▽=0 ▽=0 ▽=0	GENERAL TOLERANCES (UNLESS SPECIFIED)		DIMENSION STYLE <b>MM/IN</b>	SCALE <b>6:1</b>	DESIGN UNITS <b>METRIC</b>	THIRD ANGLE PROJECTION		
		4 PLACES ± --- ± ---	3 PLACES ± --- ± ---	2 PLACES ± --- ± ---	1 PLACE ± --- ± ---	DRAWN BY MS IBARRA	DATE 2009/09/16	TITLE <b>SALES ASSEMBLY- LEADFREE Z AXIS PLUGGABLE PCB CONNECTOR</b>	
		ANGULAR ±1/2°				CHECKED BY BBARKER	DATE 2009/09/16	MOLEX INCORPORATED	
		DRAFT WHERE APPLICABLE MUST REMAIN WITHIN DIMENSIONS				APPROVED BY SMILLER	DATE 2009/09/16	MATERIAL NO. <b>SEE TABLE</b>	DOCUMENT NO. <b>SD-74441-004</b>
REV <b>A</b>	DESCRIPTION	SIZE <b>C</b>		THIS DRAWING CONTAINS INFORMATION THAT IS PROPRIETARY TO MOLEX INCORPORATED AND SHOULD NOT BE USED WITHOUT WRITTEN PERMISSION				SHEET NO. <b>4 OF 6</b>	



DETAIL C  
SCALE 24:1

40 CIRCUIT MOTHER BOARD  
RECOMMENDED PCB LAYOUT

<b>INITIAL RELEASE</b> EC NO: UCP2010-0714 DRWN:MSIBARRA 2009/09/16 CHKD:BBARKER 2009/09/24 APPR:SMILLER 2009/09/24	QUALITY SYMBOLS ▽=0 ▽=0 ▽=0	GENERAL TOLERANCES (UNLESS SPECIFIED)		DIMENSION STYLE <b>MM/IN</b>	SCALE <b>6:1</b>	DESIGN UNITS <b>METRIC</b>	THIRD ANGLE PROJECTION													
		<table border="1"> <thead> <tr> <th></th> <th>mm</th> <th>INCH</th> </tr> </thead> <tbody> <tr> <td>4 PLACES</td> <td>± ---</td> <td>± ---</td> </tr> <tr> <td>3 PLACES</td> <td>± ---</td> <td>± ---</td> </tr> <tr> <td>2 PLACES</td> <td>± ---</td> <td>± ---</td> </tr> <tr> <td>1 PLACE</td> <td>± ---</td> <td>± ---</td> </tr> </tbody> </table>		mm	INCH	4 PLACES	± ---	± ---	3 PLACES	± ---	± ---	2 PLACES	± ---	± ---	1 PLACE	± ---	± ---	DRAWN BY MSIBARRA	DATE 2009/09/16	TITLE <b>SALES ASSEMBLY- LEADFREE Z AXIS PLUGGABLE PCB CONNECTOR</b>
			mm	INCH																
		4 PLACES	± ---	± ---																
3 PLACES	± ---	± ---																		
2 PLACES	± ---	± ---																		
1 PLACE	± ---	± ---																		
ANGULAR ±1/2°	CHECKED BY BBARKER	DATE 2009/09/16																		
DRAFT WHERE APPLICABLE MUST REMAIN WITHIN DIMENSIONS	APPROVED BY SMILLER	DATE 2009/09/16	MATERIAL NO. <b>SEE TABLE</b>	DOCUMENT NO. <b>SD-74441-004</b>	SHEET NO. <b>5 OF 6</b>															
SIZE <b>C</b>	THIS DRAWING CONTAINS INFORMATION THAT IS PROPRIETARY TO MOLEX INCORPORATED AND SHOULD NOT BE USED WITHOUT WRITTEN PERMISSION																			



70 CIRCUIT MOTHER BOARD  
RECOMMENDED PCB LAYOUT

INITIAL RELEASE EC NO: UCP2010-0714 DRW:MSI BARRA 2009/09/16 CHK:DBARKER 2009/09/24 APPR:SMILLER 2009/09/24	DESCRIPTION A	QUALITY SYMBOLS	GENERAL TOLERANCES (UNLESS SPECIFIED)	DIMENSION STYLE	SCALE	DESIGN UNITS	THIRD ANGLE PROJECTION	
			mm INCH	MM/IN	6:1	METRIC		
		▽=0	4 PLACES ± --- ± ---	DRAWN BY DATE	TITLE	MOLEX INCORPORATED SD-74441-004		
		▽=0	3 PLACES ± --- ± ---	MSI BARRA 2009/09/16	SALES ASSEMBLY- LEADFREE Z AXIS PLUGGABLE PCB CONNECTOR			
▽=0	2 PLACES ± --- ± ---	CHECKED BY DATE						
	1 PLACE ± --- ± ---	BBARKER 2009/09/16						
		APPROVED BY DATE	ANGULAR ±1/2°	SEE TABLE				
		SMILLER 2009/09/16	DRAFT WHERE APPLICABLE MUST REMAIN WITHIN DIMENSIONS					
		MATERIAL NO.						
		DOCUMENT NO.						
		SHEET NO.						
		6 OF 6						