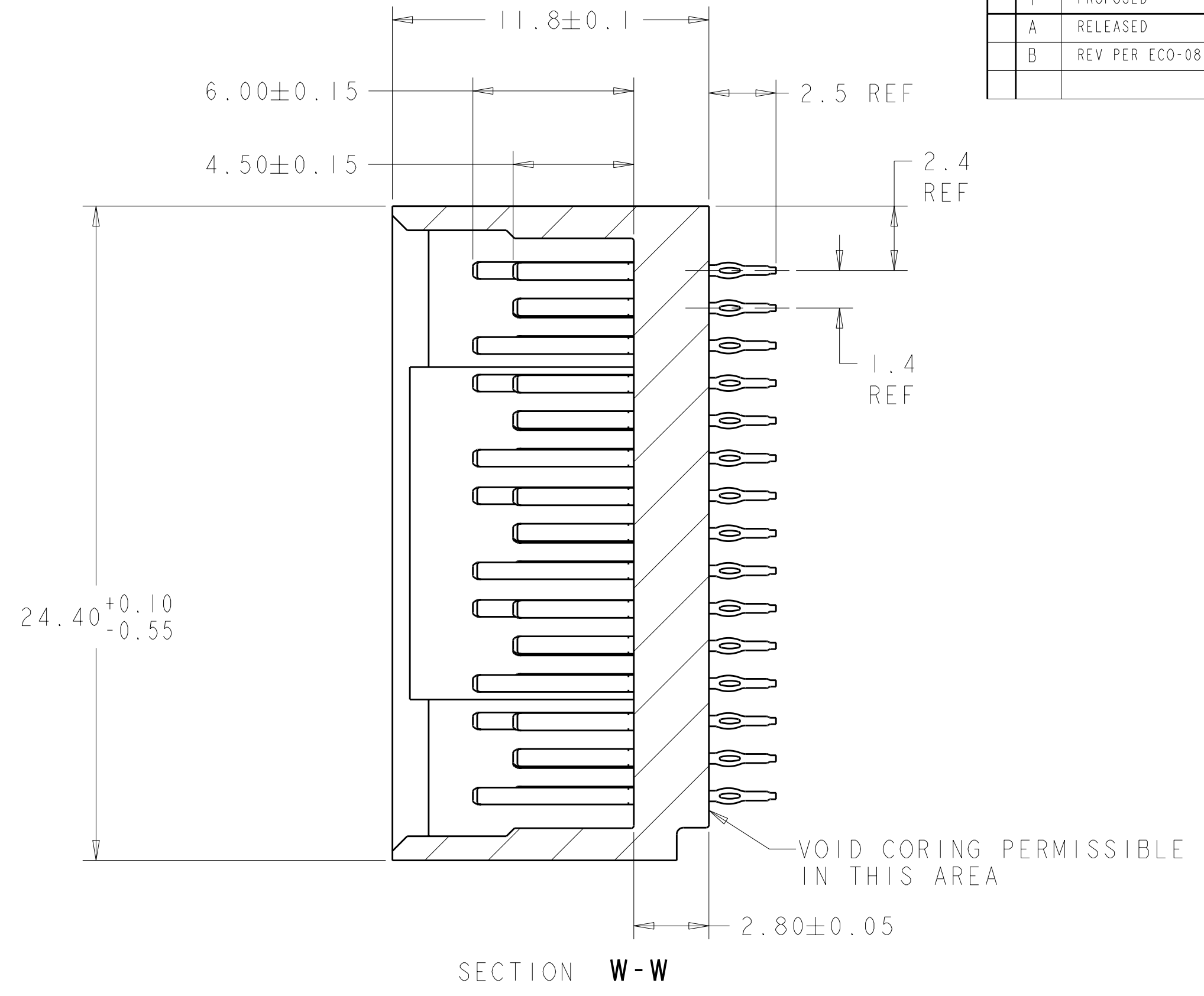
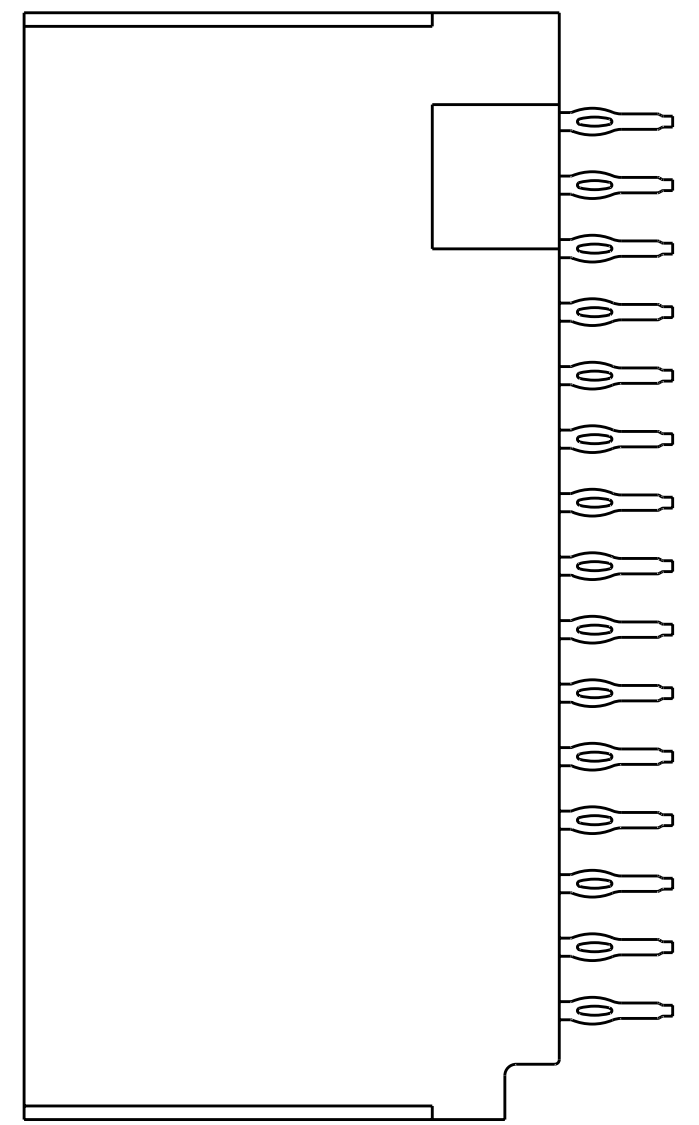
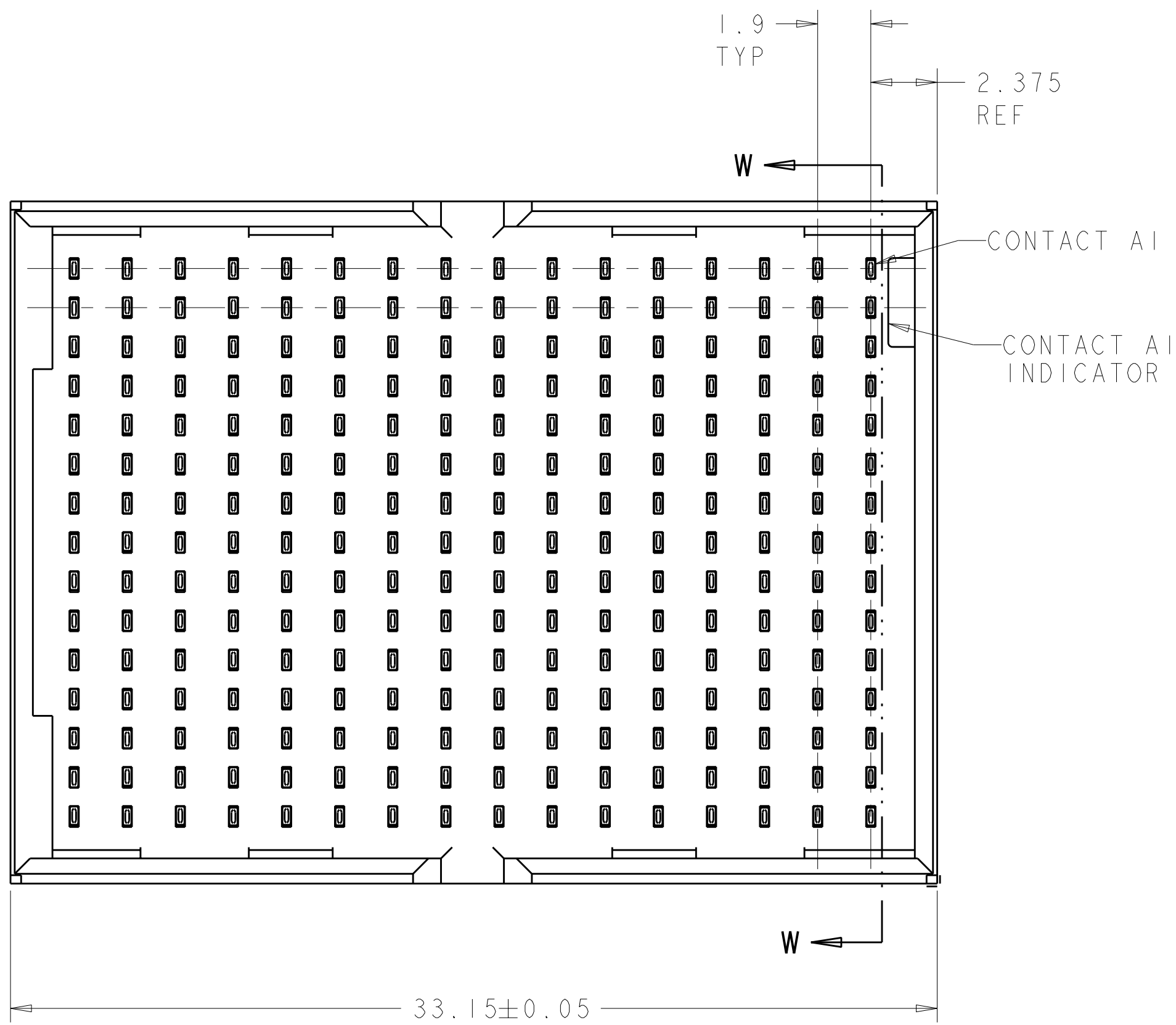
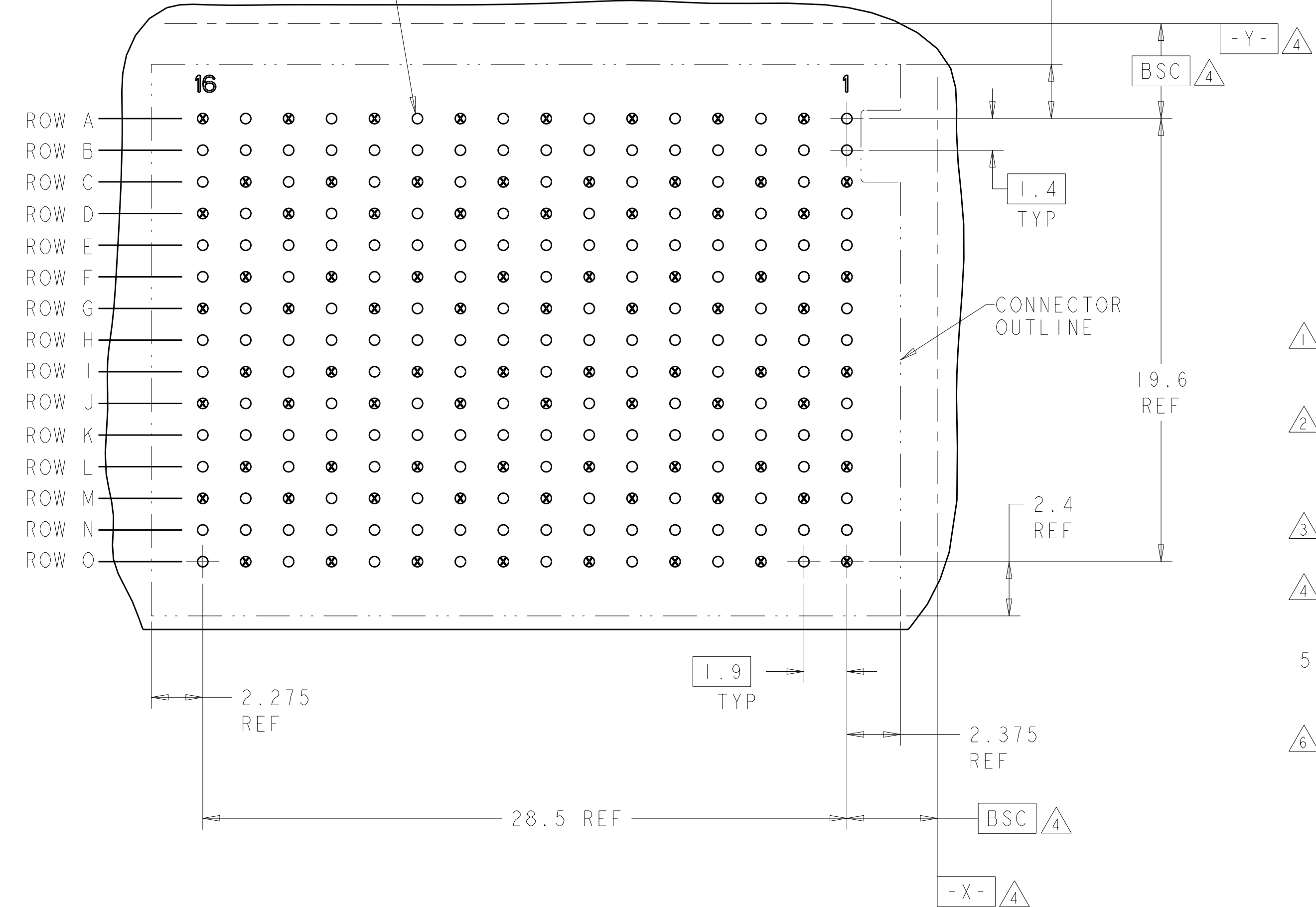


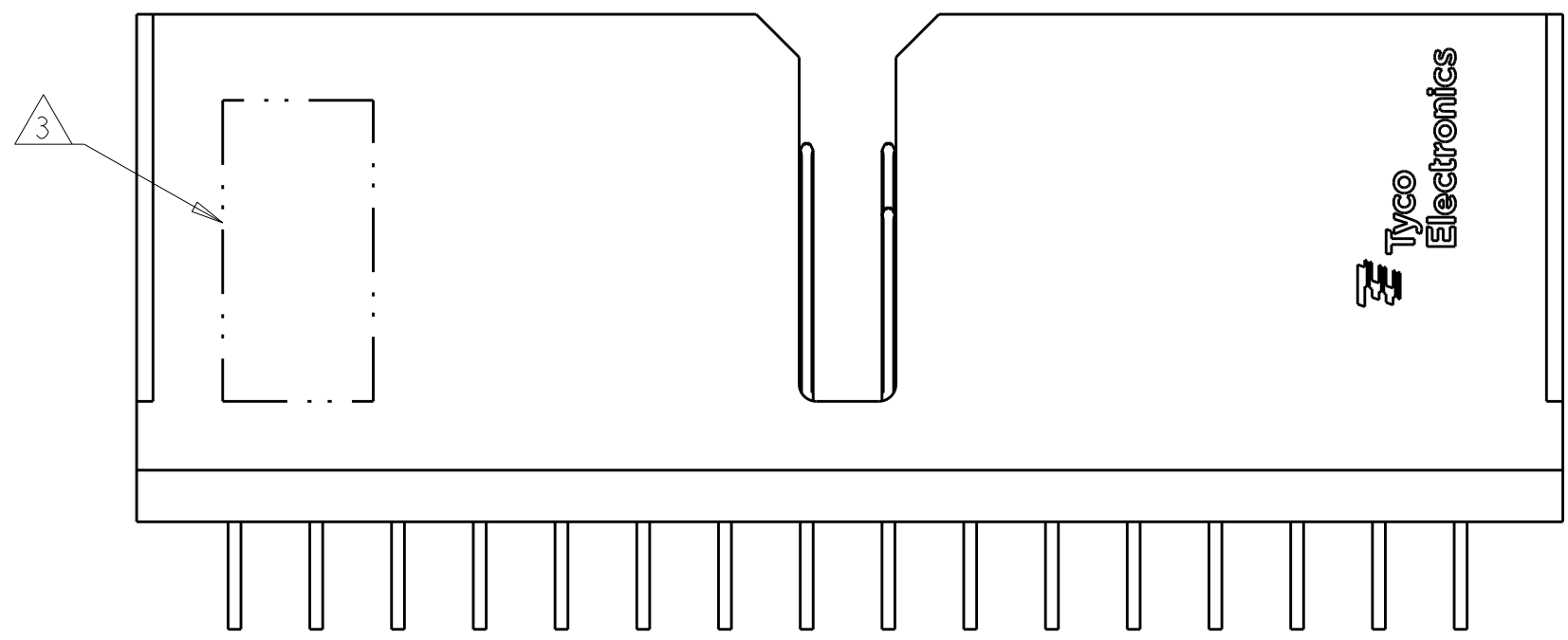
LOC		DIST		REVISIONS			
GP	00	P	LTW	DESCRIPTION	DATE	DWN	APVD
		I		PROPOSED	06JUN07	BM	WD
		A		RELEASED	28AUG2007	BC	RP
		B		REV PER ECO-08-018696	04SEP2008	BC	RP



⊕ Ⓞ 0.05 Ⓞ X Y
 FINISHED HOLE SIZE
 AND PLATED THRU HOLES



- ⚠ MATERIAL:
 CONTACT - PHOS BRONZE
 HOUSING - LCP, UL 94V-0, COLOR - BLACK
- ⚠ FINISH: CONTACT
 MATING AREA - 0.76µm MIN GOLD OVER 1.27µm MIN NICKEL
 COMPLIANT PIN AREA - 0.5µm MIN MATTE TIN OVER
 1.27µm MIN NICKEL
- ⚠ CONNECTOR MARKED WITH PART NUMBER, DATE CODE
 AND STANDARD IN APPROXIMATE AREA SHOWN
- ⚠ DATUMS AND BASIC DIMENSIONS ESTABLISHED BY
 CUSTOMER.
- 5. CONTACT AREA LUBRICATED WITH BELLCORE
 APPROVED LUBRICANT. TECHNICAL REFERENCE
 GR-1217-CORE, ISSUE 1, NOVEMBER 1995.
- ⚠ REFERENCE APPLICATION SPEC 114-13202 FOR RECOMMENDED
 PLATED THRU HOLE DIAMETER AND PLATING THICKNESSES.



○ = SIGNAL
 ⊗ = GROUND
 RECOMMENDED PC BOARD LAYOUT BACKPLANE,
 COMPONENT SIDE SHOWN
 SCALE 6:1

1934332-1
 PART
 NUMBER

<small>THIS DRAWING IS UNPUBLISHED. RELEASED FOR PUBLICATION BY TYCO ELECTRONICS CORPORATION, ALL RIGHTS RESERVED.</small>		DWN B. MCMASTER 06JUN2007 CHK W. DAVIS 06JUN2007 APVD W. DAVIS 06JUN2007	Tyco Electronics Harrisburg, PA 17105-3608
DIMENSIONS: mm 	TOLERANCES UNLESS OTHERWISE SPECIFIED: 9 PLC ± 1 PLC ± 5 PLC ± 4 PLC ± ANGLES ± FINISH ±	NAME PRODUCT SPEC APPLICATION SPEC WEIGHT CUSTOMER DRAWING	Tyco Electronics Harrisburg, PA 17105-3608 NAME HEADING ASSEMBLY, DOUBLE WALL, 5 PAIR 16 COLUMN SIZE CAGE CODE DRAWING NO A 100779 C-1934332 RESTRICTED TO SCALE 6:1 SHEET 1 OF 1 REV B