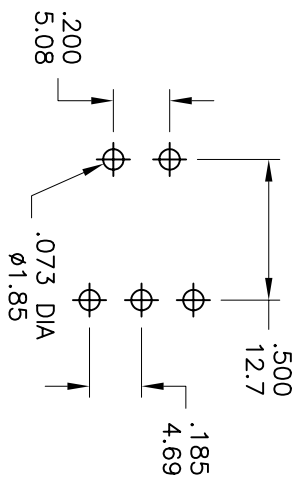


Model No.	POS.1	POS.2	POS.3
1AS3	ON	OFF	ON
Term. Comm.	2-3		2-1
SCHEMATIC		OPEN	

**SWITCH FUNCTION**



**P.C. MOUNTING**

**RATING:**

R : 0.4 Volt-Amps(VA) max. @20V max.(AC or DC)  
 Q : 2Amps @250VAC  
 5Amps @120 VAC or 28 VDC

**SPECIFICATIONS**  
**ELECTRICAL LIFE:** 30,000 make-and-break cycles at full load.  
**CONTACT RESISTANCE:** 10m Ω max. initial @ 2-4VDC  
 100mA for both silver and gold plated contacts.  
**INSULATION RESISTANCE:** 1,000M Ω min.  
**DIELECTRIC STRENGTH:** 1,000 V RMS@sea level.  
**OPERATING TEMPERATURE:** -30 ° C to 85 ° C.

**MATERIALS**  
**CASE BUSHING:** Glass filled nylon 66, flame retardant, heat stabilized(UL94v-0).  
**ACTUATOR:** Brass,chrome plated with internal, O-ring seal standard.  
**SWITCH SUPPORT:** Brass or steel, tin plated.  
**SWITCH SUPPORT RETAINER:** Stainless Steel.  
**CONTACT/TERMINAL:** copper alloy, with Silver or gold plated.

符號	原尺寸	修改後尺寸	變更日期
1	(A)		
2	(B)		
3	(C)		
4	(D)		
5	(E)		

**SCALE (比例): 3 : 2**

TITLE 圖名	Sealed Miniature Toggle Switches	SIZE 圖紙	A4
DWG NO. 圖號	1AS3T2B4M6RE	UNIT 單位	inch
REV. 版本	A	DATE 日期	MAY - 26 - 2003
CHECKED BY 審核	Jack	DRAWN BY 製圖	BLUE

**TOLERANCE (公差):**  
 0.00 mm ± 0.25mm  
 0.0 mm ± 0.40mm  
 ANGULAR : ± 2.54 mm

**FILE NAME :** 1ASPP0058

**德利威電子股份有限公司**  
**DAILYWELL ELECTRONICS CO.,LTD.**