

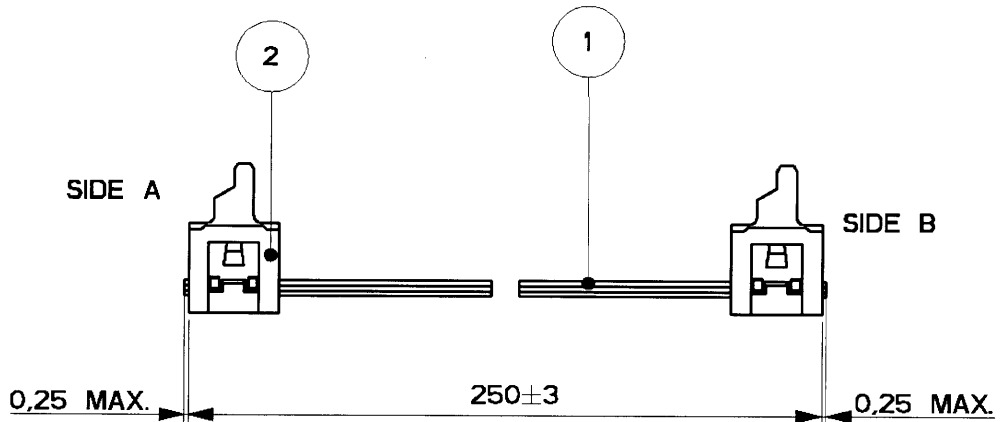
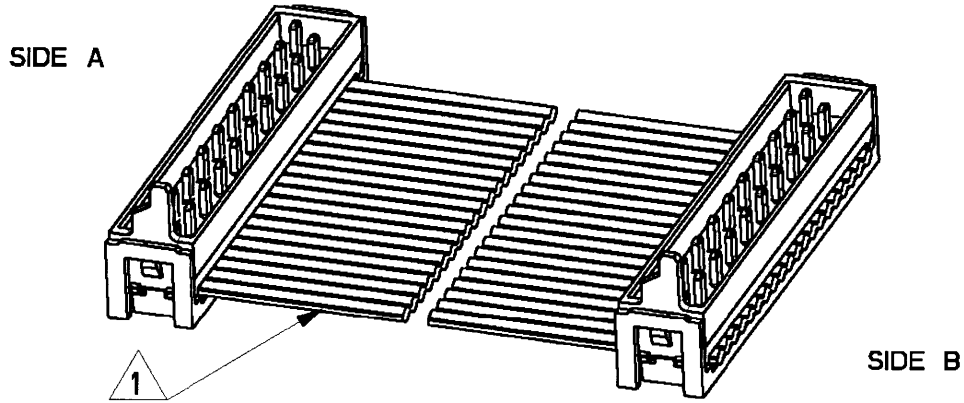
378-4617

THIS DRAWING IS A CONTROLLED DOCUMENT FOR Tyco Electronics Nederland B.V.
IT IS SUBJECT TO CHANGE AND THE CONTROLLING ENGINEERING ORGANIZATION SHOULD BE CONTACTED FOR THE LATEST REVISION.

LOC	DIST	LTR	REVISION RECORD	DATE	APVD
H	-	A	EH00-1269-01	20/11/01	HS
-	-	-	-	-	-
-	-	-	-	-	-

1 WIRE RED MARKED

2 ASSEMBLIES ARE PACKAGED ACCORDING PACKAGING SPEC 107-19582



Item no.	Description	Q'TY
2	MALE ON WIRE CONNECTOR	2
1	BULK WIRE FLAT RIBBON CABLE	1

DIMENSIONS: mm		DWN H.Spelde	MATERIAL	FINISH	
TOLERANCES UNLESS OTHERWISE SPECIFIED:		CHR H. Spelde	AMP Tyco Electronics Nederland B.V. 's-HERTOGENBOSCH, THE NETHERLANDS		
0 PLC	± -	APVD E. Leijtens			NAME Micro-MaTch Lead Ass'y
1 PLC	± -	PRODUCT SPEC			20 POSITIONS
2 PLC	± -	APPLICATION SPEC	SIZE	CAGE CODE	
3 PLC	± -		A4	00779	
4 PLC	± -		DRAWING NO		
ANGLES	± -	WEIGHT	C-1483358-3		
			CUSTOMER DRAWING		

SCALE 5:2		SHEET 1 OF 1		REV A
-----------	--	--------------	--	-------

XXXXXXXXXXXX DATE: -
 BY Tyco Electronics Nederland B.V.

THIS DRAWING IS UNPUBLISHED.
 © COPYRIGHT -