

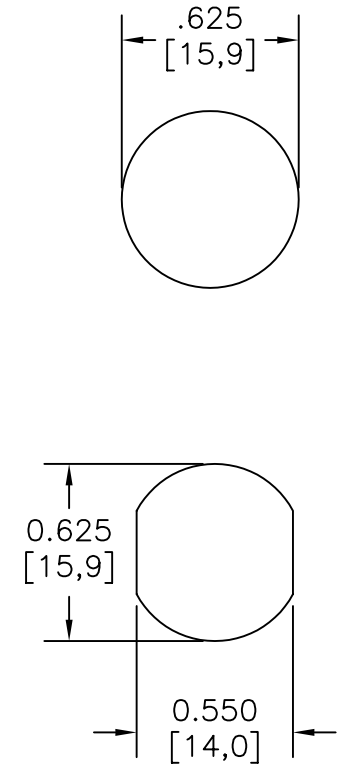
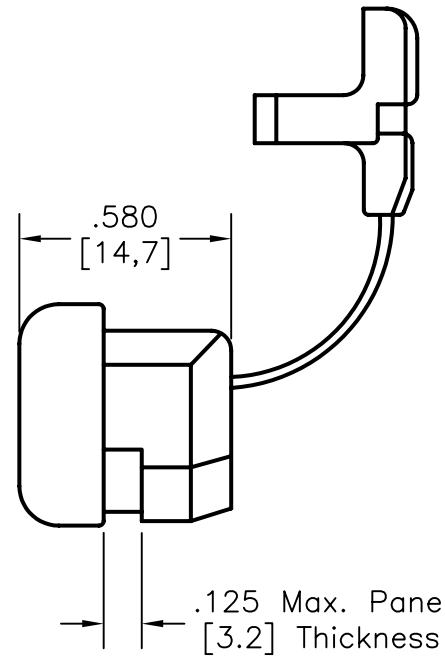
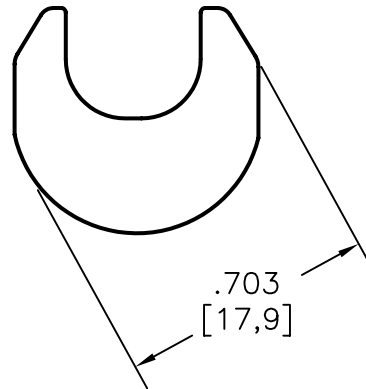
REVISIONS

| DCP # | REV | DESCRIPTION | DRAWN | DATE | CHECKD | DATE | APPRVD | DATE |
|-------|-----|-------------------|-------|---------|--------|---------|--------|---------|
| 182 | B | REDRAWN & UPDATED | HYO | 11/8/99 | JC | 2/11/00 | JC | 2/11/00 |
| 1779 | C | RoHS ADDED | DCM | 1/24/06 | JWM | 1/24/06 | JWM | 1/24/06 |



NOTES:

1. Cable Size: 0.325 - 0.360 (8,3-9,1)
2. Cable Type/Gauge:
 - SJ/18-3
 - SJT/ 16-3,18-3
 - SJO/18-3
3. UL recognized and CSA approved
4. Color: Black
5. Material: Nylon type 6 heat stabilized
6. Flammability Rating: UL94V-2
7. Temperature Rating: Up to 105 °C



DISCLAIMER:
 ALL STATEMENTS AND TECHNICAL INFORMATION CONTAINED HEREIN ARE BASED UPON INFORMATION AND/OR TESTS WE BELIEVE TO BE ACCURATE AND RELIABLE. SINCE CONDITIONS OF USE ARE BEYOND OUR CONTROL, THE USER SHALL DETERMINE THE SUITABILITY OF THE PRODUCT FOR THE INTENDED USE AND ASSUME ALL RISK AND LIABILITY WHATSOEVER IN CONNECTION THEREWITH.

TOLERANCES:
 UNLESS OTHERWISE SPECIFIED, DIMENSIONS ARE FOR REFERENCE PURPOSES ONLY.

| | |
|--------------|---------|
| DRAWN BY: | DATE: |
| J.C | 2/18/91 |
| CHECKED BY: | DATE: |
| APPROVED BY: | DATE: |

| | | | |
|--|---------------------------|---------------------------------------|-----------------|
| DRAWING TITLE: Strain Relief Bushing | | | |
| SIZE A | DWG. NO. SRR-20 | ELECTRONIC FILE 46N7809.dwg | REV C |
| SCALE: NTS | U.O.M.: INCHES [mm] | SHEET: 1 OF 1 | |