

Flow Switch Series

CRYDOM

Control over power

Our range of Flow Switches are reed switch based devices which are manufactured in Acetal resin. These switches are designed for use in liquid flow systems up to 10 Bar pressure. Advanced design ensures minimal fluid flow restriction.

ELECTRICAL SPECIFICATIONS	ALL TYPES
Contact form	N/O
VA Rating	15
Switching Voltage AC	240
Switching Voltage DC	120
Switching Current maximum A	1.0

All ratings are for resistive load only

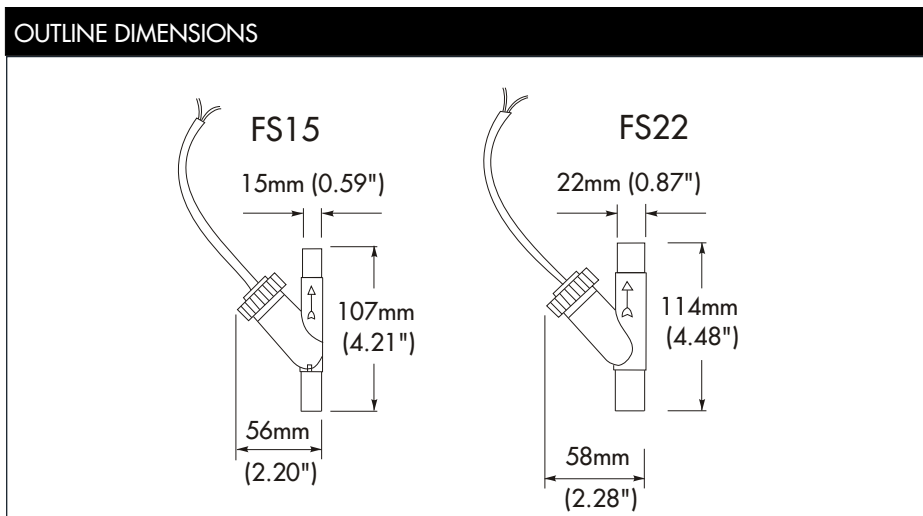
Farnell Stock Number	730-889	730-890
TECHNICAL SPECIFICATIONS	FS15A	FS22A
Operate Flow Rate*	litres/min	2.0
	US gals/min	0.53
Release Flow Rate**	litres/min	0.3
	US gals/min	0.08

* The switch will have operated when the flow rate rises above this value.

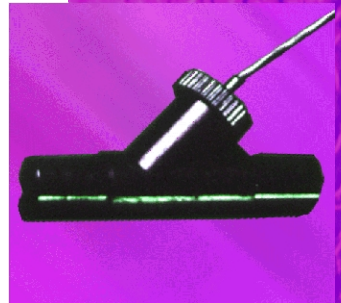
** The switch will have released when the flow rate falls below this value.

Installation

Flow switches can be mounted horizontally or vertically. As the operating piston is returned to it's original position by gravity the cap must always be upwards. Greater operate flow sensitivity is achieved with vertical installation. Supplied with 25cm Cable.



Every effort has been made to ensure that the descriptions and specifications quoted are correct, however, no liability can be accepted for any errors or omissions in this data. The detail specifications are subject to change without prior notice.



- **Maximum Operating Pressure 10 bar. (140 PSI)**
- **Low flow version available**
- **WRAS approval**
- **Temperature rated to 85°C (185°F)**

Crydom Magnetics Ltd
 7 Cobham Road
 Ferndown Industrial Estate
 Wimborne
 Dorset BH21 7PE
 Tel: +44 (0) 1202 897969
 Fax: +44 (0) 1202 891918
 magnetics@crydom.com
 www.crydom.co.uk