

5

4

3

2

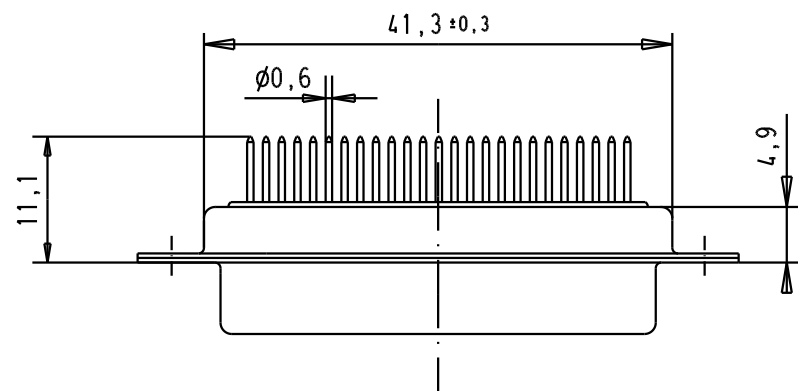
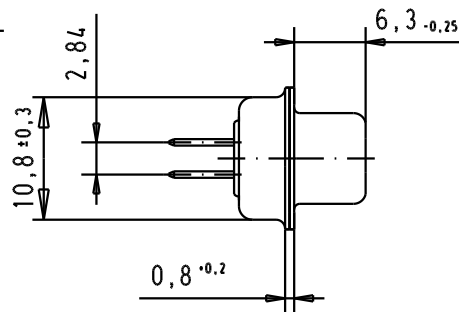
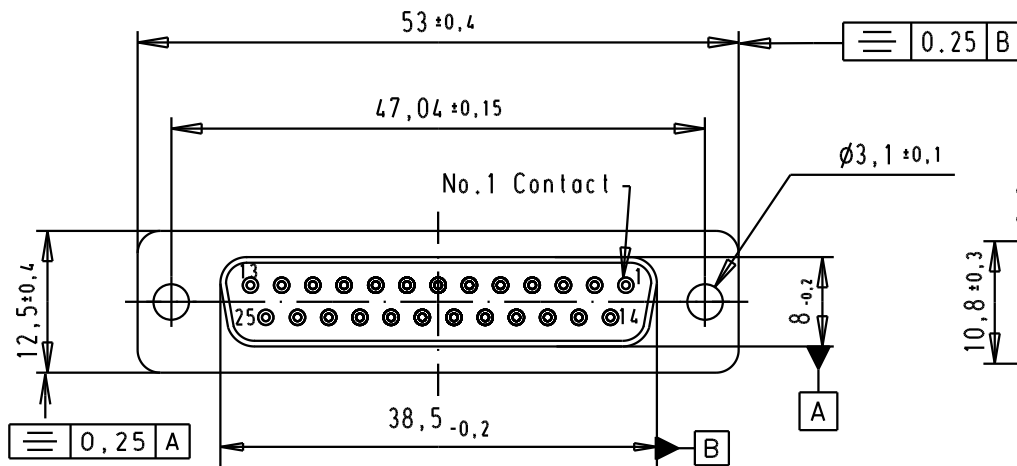
1

D

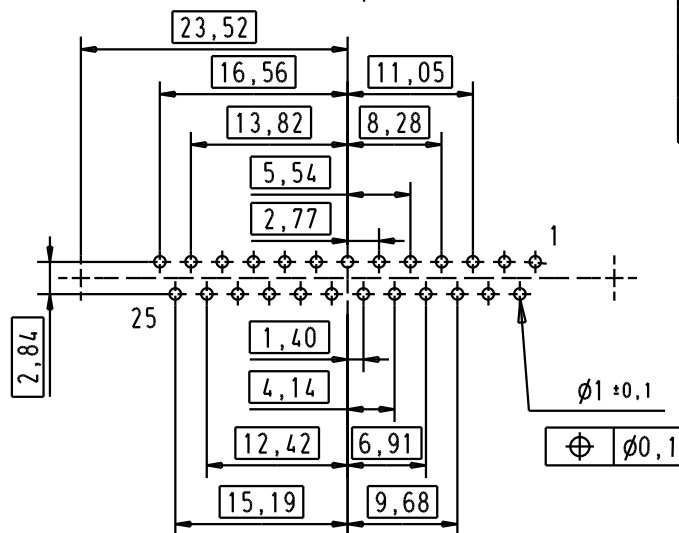
C

B

A





PCB Layout
Component side



SPECIFICATION

Mating Cycles	500
Filter type	C
Capacitance	47pf ± 20%
Working Voltage	100v
Current Rating	7,5A
Insulation Resistance	>1GΩ

FREQUENCY (MHz)	ATTENUATION dB
5	-
10	-
50	-
100	-
500	30dB
1000	35dB

				Dat.	Name	 All Dim. in mm Orig. Size DIN A 4
			Detail.	8-JUL-02	CV	
			Insp.			
			Stand.			
33274	30/11/05	JMDR	HARTING EURL			
31058	8-JUL-02	CV	F-95972 Paris			
Mod.	Dat.	Name				Sub.

D-Sub, female, straight,
25 Poles, turned solder pins,
tin plated shell with holes

TB 09643127210

Ma?Ms tab/
Scale
1.5:1

Blatt/ Page
1 / 1