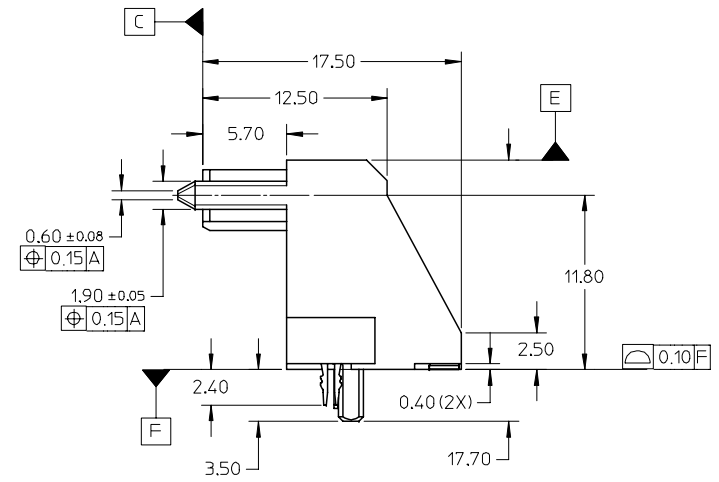
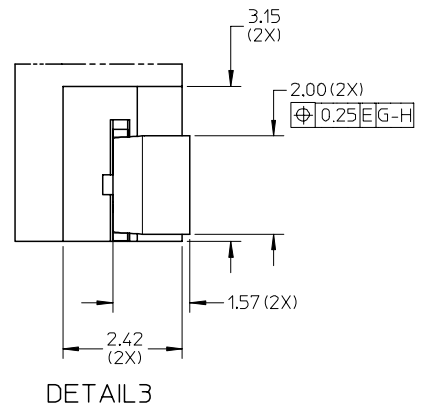
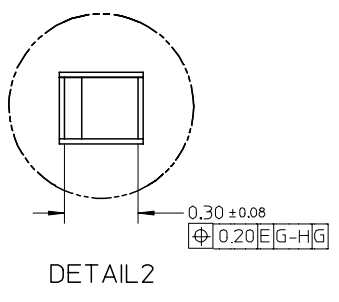
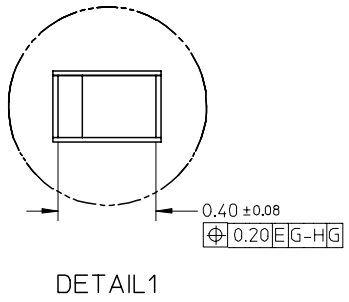
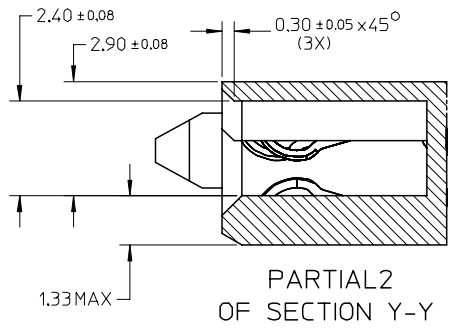
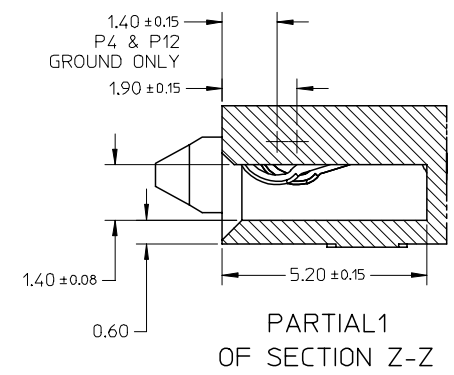
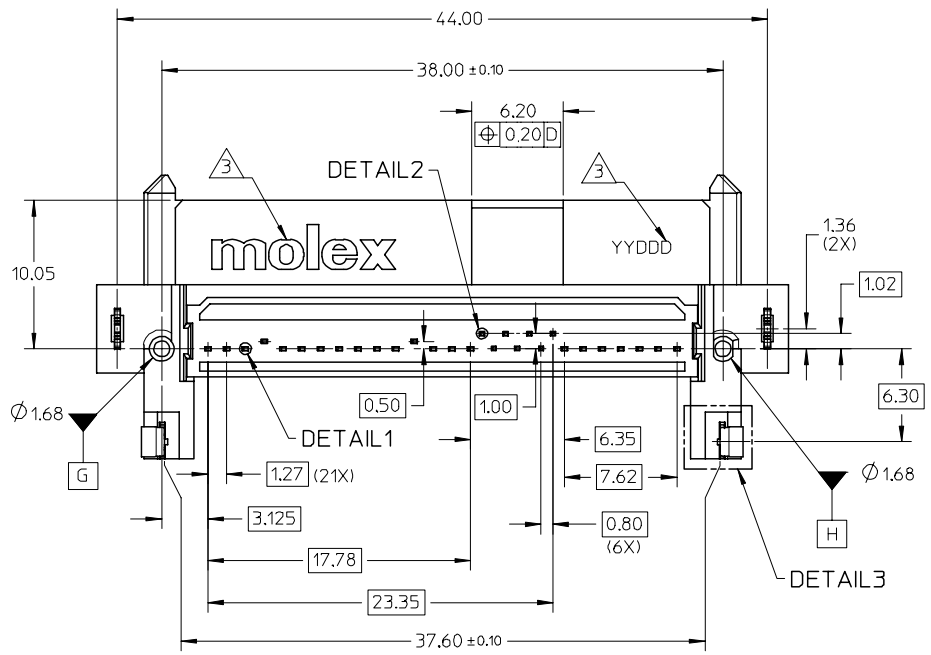


- NOTES:
- MATERIAL
HOUSING: PA9T, GLASS FILLED, UL 94V-0, BLACK
TERMINALS/FORKLOCK/SOLDERTAB: COPPER ALLOY
 - PLATING
TERMINAL CONTACT: 0.76µm MIN SELECTIVE GOLD OVER
1.27µm MIN. NICKEL UNDERPLATE
TERMINAL SOLDERTAIL: 2.54µm MIN TIN OVER
1.27µm MIN. NICKEL UNDERPLATE
FORKLOCK/SOLDERTAB: 2.54µm MIN TIN OVER
1.27µm MIN. NICKEL UNDERPLATE
 - MOLEX LOGO AND DATE CODE LOCATED APPROXIMATELY AS SHOWN
 - NON FUNCTIONAL CORE HOLE MAY VARY
 - PRODUCT SPECIFICATION PS-78052-042 APPLIES
 - MATES WITH: SFF-8482 PLUG
SATA PLUG 87679, 87703 AND 87799
 - PACKAGING : TRAY

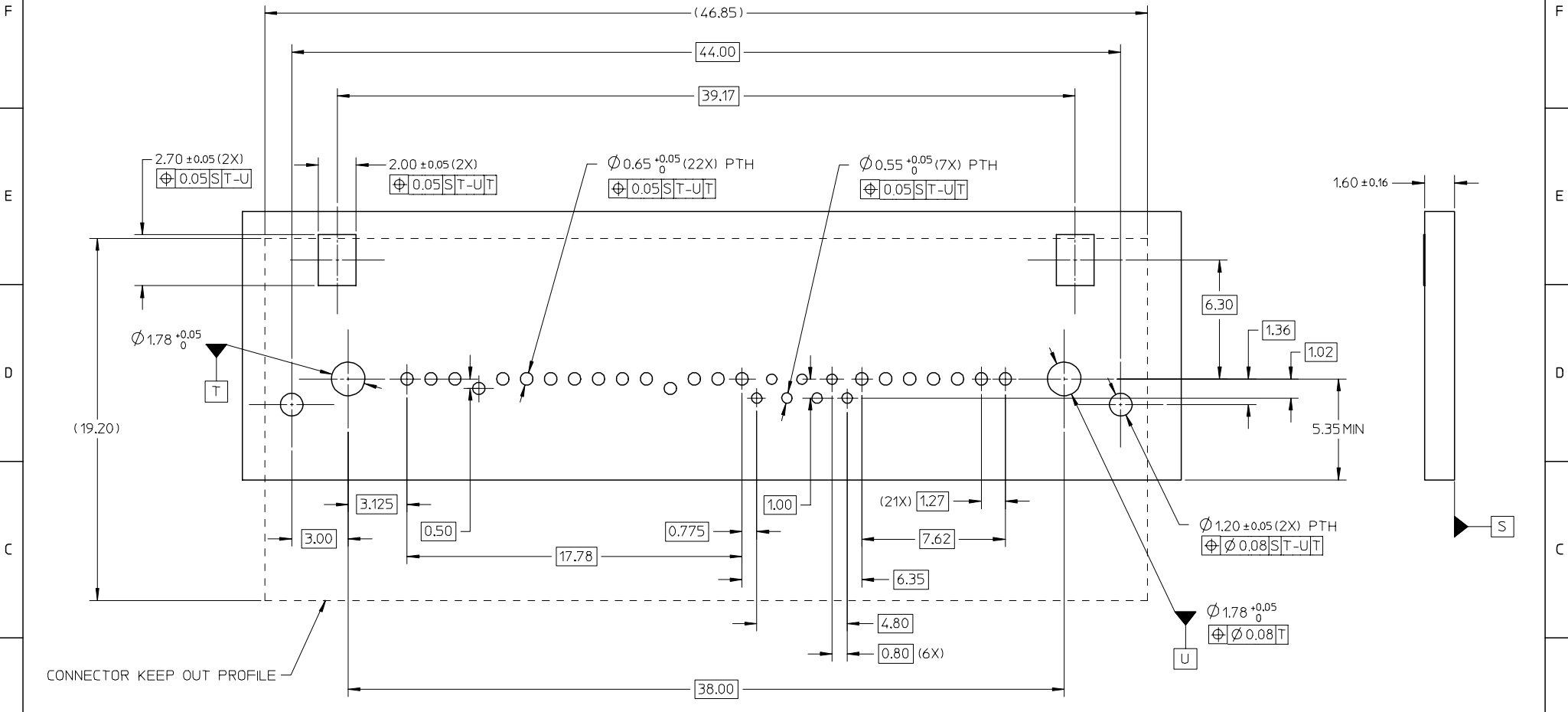


INITIAL RELEASE EC NO: S2007-0380 DRWN:YKH CHKD:CGTAN APPR:KCLING 2007/04/03 2007/04/03 2007/04/03	QUALITY SYMBOLS ▽=0 ▽=0	GENERAL TOLERANCES (UNLESS SPECIFIED)		DIMENSION STYLE		SCALE	DESIGN UNITS	THIRD ANGLE PROJECTION			
				MM ONLY		NTS	METRIC	TITLE			
				4 PLACES ± --- ± ---		DRAWN BY DATE		SAS RECEPTACLE (REVERSE)			
				3 PLACES ± --- ± ---		YKH 2006/10/09		R/A, T/H, 11.80MM HEIGHT			
		2 PLACES ± 0.20 ± ---		CHECKED BY DATE		MOLEX MOLEX INCORPORATED MATERIAL NO. 78052-0001 DOCUMENT NO. SD-78052-041 SHEET NO. 1 OF 3					
		1 PLACE ± --- ± ---		CGTAN 2007/03/30							
		ANGULAR ± 3 °		APPROVED BY DATE							
		DRAFT WHERE APPLICABLE MUST REMAIN WITHIN DIMENSIONS		KCLING 2007/03/30							



INITIAL RELEASE EC NO: S2007-0380 DRWN: YKOH CHKD: CGTAN APPR: KCL ING	2007/04/03 2007/04/03 2007/04/03	DESCRIPTION A	QUALITY SYMBOLS	GENERAL TOLERANCES (UNLESS SPECIFIED) <table border="1"> <thead> <tr> <th></th> <th>mm</th> <th>INCH</th> </tr> </thead> <tbody> <tr> <td>4 PLACES</td> <td>± ---</td> <td>± ---</td> </tr> <tr> <td>3 PLACES</td> <td>± ---</td> <td>± ---</td> </tr> <tr> <td>2 PLACES</td> <td>± 0.20</td> <td>± ---</td> </tr> <tr> <td>1 PLACE</td> <td>± ---</td> <td>± ---</td> </tr> <tr> <td colspan="3">ANGULAR ± 3 °</td> </tr> </tbody> </table>		mm	INCH	4 PLACES	± ---	± ---	3 PLACES	± ---	± ---	2 PLACES	± 0.20	± ---	1 PLACE	± ---	± ---	ANGULAR ± 3 °			DIMENSION STYLE MM ONLY	SCALE NTS	DESIGN UNITS METRIC	THIRD ANGLE PROJECTION
					mm	INCH																				
			4 PLACES		± ---	± ---																				
			3 PLACES		± ---	± ---																				
2 PLACES	± 0.20	± ---																								
1 PLACE	± ---	± ---																								
ANGULAR ± 3 °																										
▽=0	▽C=0	DRAWN BY YKOH	DATE 2006/10/09	TITLE SAS RECEPTACLE (REVERSE) R/A, T/H, 11.80MM HEIGHT																						
		CHECKED BY CGTAN	DATE 2007/03/30	APPROVED BY KCL ING	DATE 2007/03/30																					
		MATERIAL NO. 78052-0001	DOCUMENT NO. SD-78052-041	MOLEX INCORPORATED		SHEET NO. 2 OF 3																				

10 9 8 7 6 5 4 3 2 1



RECOMMENDED PCB LAYOUT

INITIAL RELEASE EC NO: S2007-0380 DRWN:YKOH 2007/04/03 CHKD:CGTAN 2007/04/03 APPR:KCLING 2007/04/03	QUALITY SYMBOLS ▽=0 ▽=0	GENERAL TOLERANCES (UNLESS SPECIFIED)		DIMENSION STYLE MM ONLY		SCALE NTS	DESIGN UNITS METRIC	THIRD ANGLE PROJECTION			
		4 PLACES ± --- ± ---	3 PLACES ± --- ± ---	2 PLACES ± 0.20 ± ---	1 PLACE ± --- ± ---	ANGULAR ± 3 °	DRAWN BY YKOH	DATE 2006/10/09	TITLE SAS RECEPTACLE (REVERSE) R/A, T/H, 11.80MM HEIGHT		
							CHECKED BY CGTAN	DATE 2007/03/30	MOLEX MOLEX INCORPORATED		
							APPROVED BY KCLING	DATE 2007/03/30	DOCUMENT NO. SD-78052-041		
A	REV	DRAFT WHERE APPLICABLE MUST REMAIN WITHIN DIMENSIONS			MATERIAL NO. 78052-0001	SIZE A3	SHEET NO. 3 OF 3				

9 8 7 6 5 4 3 2 1