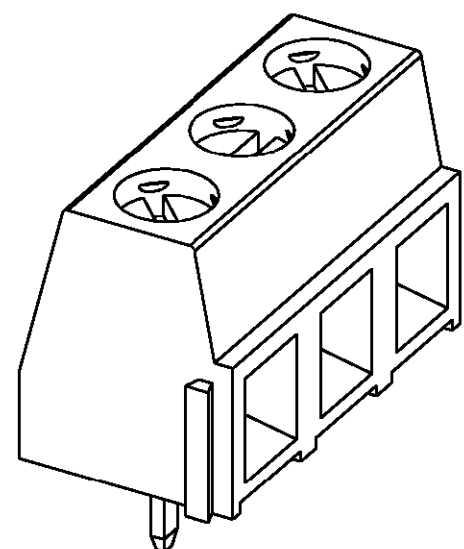
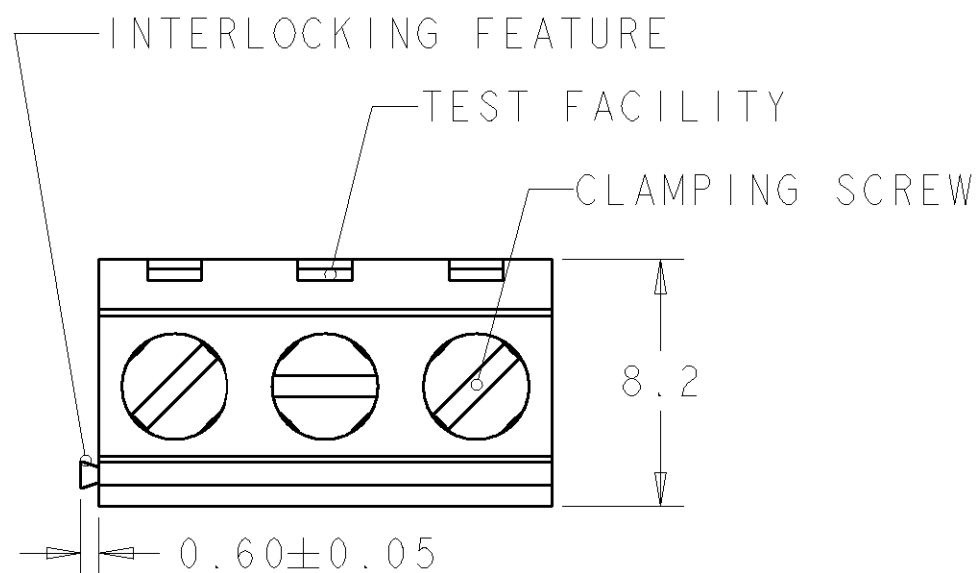


THIS DRAWING IS UNPUBLISHED. RELEASED FOR PUBLICATION 20
© COPYRIGHT 20 BY TYCO ELECTRONICS CORPORATION. ALL RIGHTS RESERVED.

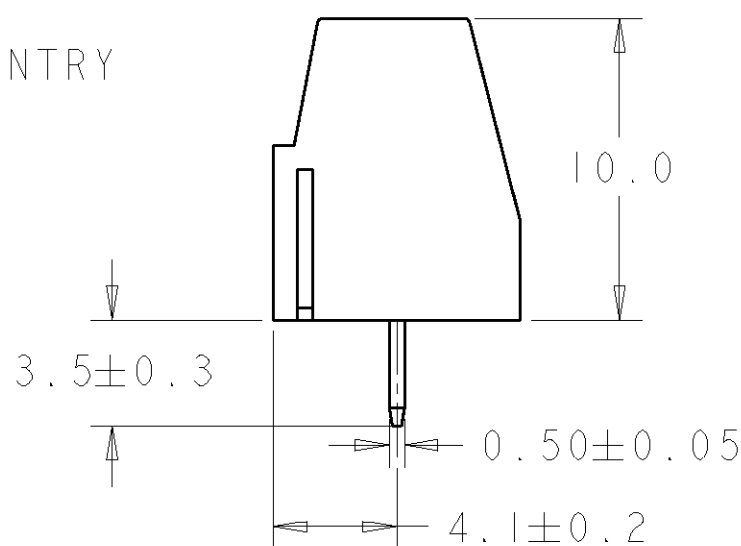
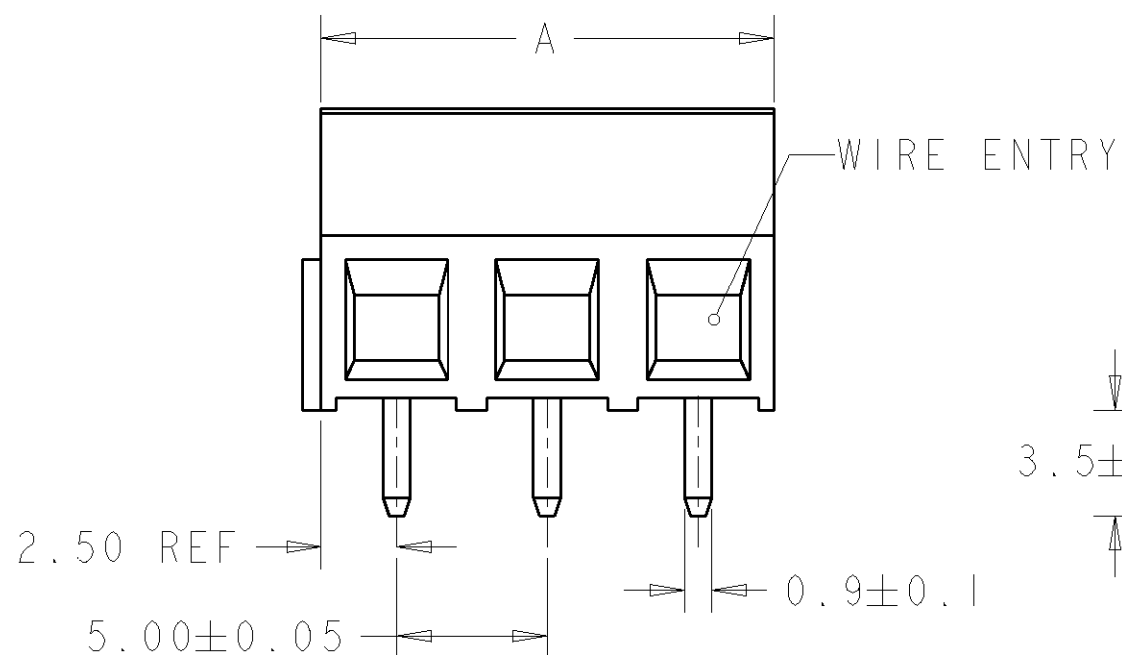
LOC FT DIST 0

REVISIONS					
P	LTR	DESCRIPTION	DATE	DWN	APVD
	D	REVISED PER 0G3B-0106-01	24AUG2001	EZ	DB
	E	REVISED PER 0G3B-0119-01	24AUG2001	EZ	DB



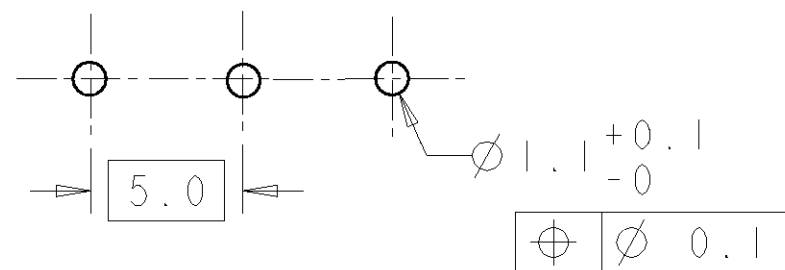
282836-3 AS SHOWN

	125	25	2-282836-6
	120	24	2-282836-5
	115	23	2-282836-4
	110	22	2-282836-3
	105	21	2-282836-2
	100	20	2-282836-1
	95	19	2-282836-0
	90	18	1-282836-9
	85	17	1-282836-8
	80	16	1-282836-7
	75	15	1-282836-6
	70	14	1-282836-5
	65	13	1-282836-4
SEE SHEET 3	10	2	1-282836-3
	60	12	1-282836-2
	55	11	1-282836-1
	50	10	1-282836-0
	45	9	282836-9
	40	8	282836-8
	35	7	282836-7
	30	6	282836-6
	25	5	282836-5
	20	4	282836-4
	15	3	282836-3
	10	2	282836-2
	10	2	282836-1



SEE SHEET 2

RECOMMENDED PCB BOARD LAYOUT



THIS DRAWING IS A CONTROLLED DOCUMENT FOR TYCO ELECTRONICS CORPORATION. IT IS SUBJECT TO CHANGE AND THE CONTROLLING ENGINEERING ORGANIZATION SHOULD BE CONTACTED FOR THE LATEST REVISION.

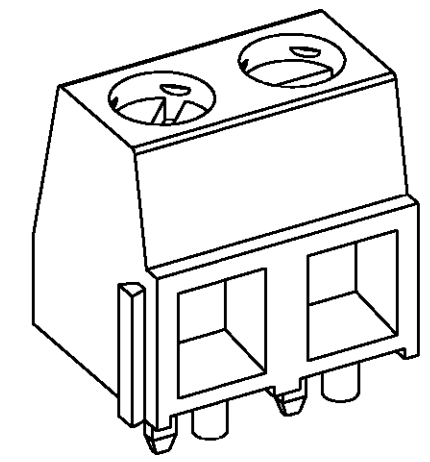
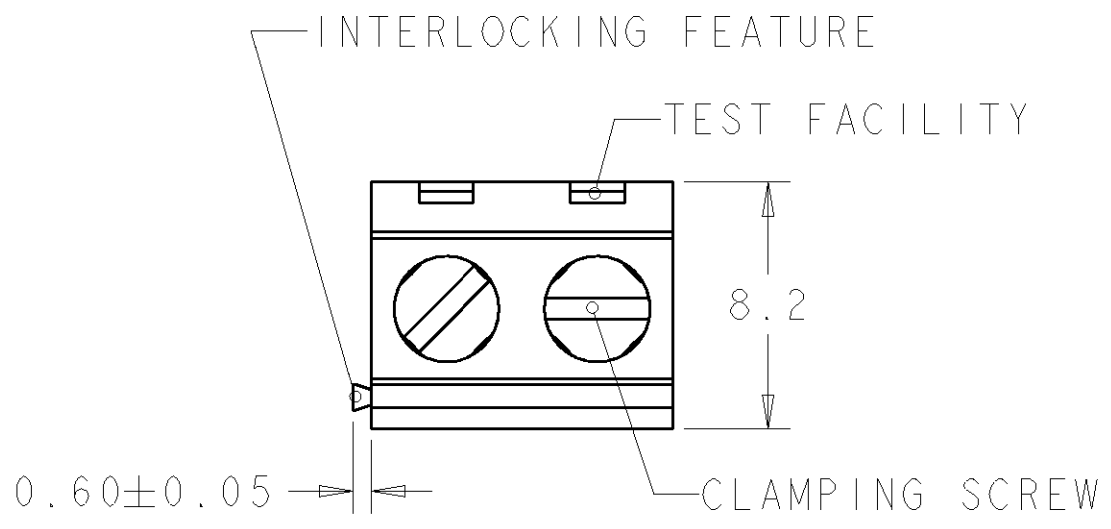
DIMENSIONS:	TOLERANCES UNLESS OTHERWISE SPECIFIED:
mm	
0 PLC	±-
1 PLC	±.2
2 PLC	±.15
3 PLC	±-
4 PLC	±-
ANGLES	±2
MATERIAL	FINISH

DWN	24AUG2001
CHK	E. ZANOLINI
APVD	24AUG2001
	D. BIEVENOUR
	D. BIEVENOUR
PRODUCT SPEC	108-20166
APPLICATION SPEC	114-20079
WEIGHT	-
CUSTOMER DRAWING	

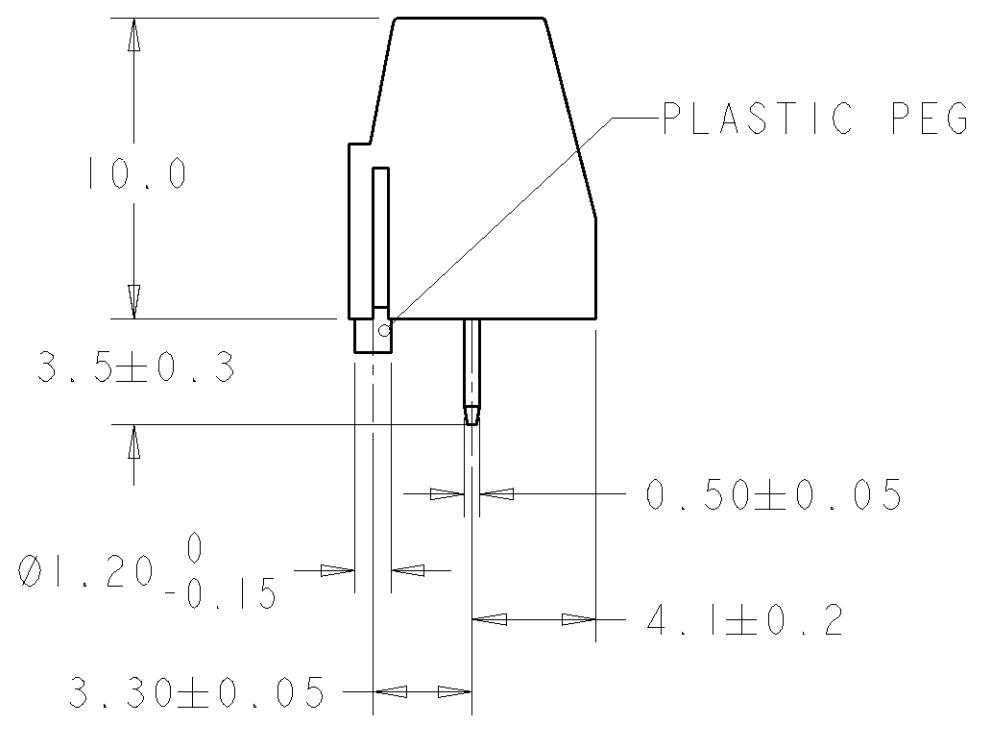
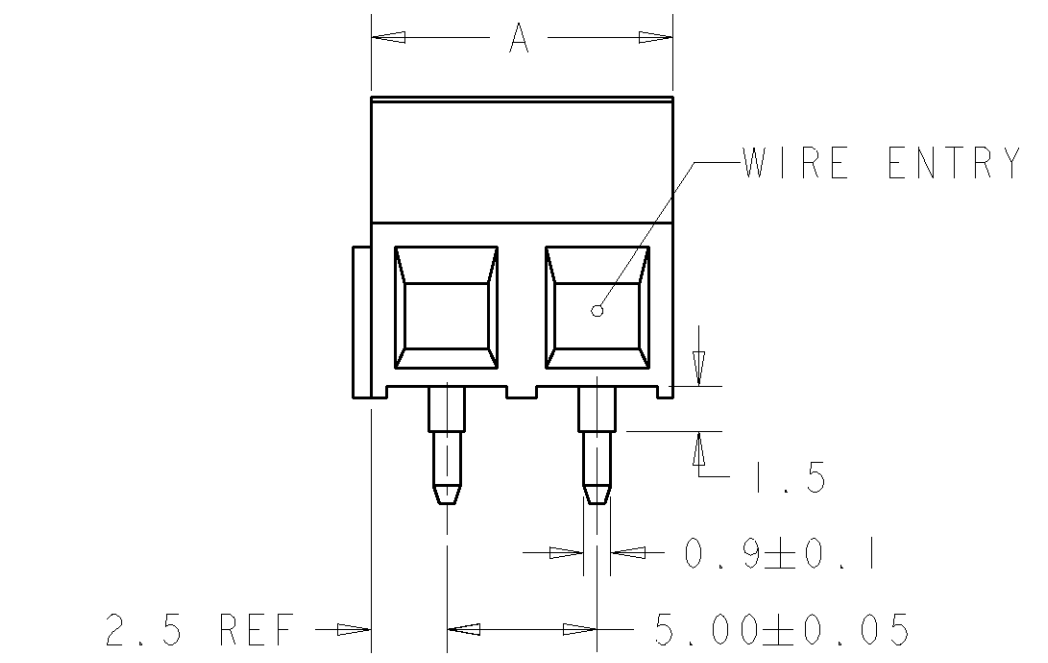
MARKING	DIM. A	N° OF POS.	PART NUMBER
BUCHANAN Tyco Electronics Harrisburg, PA 17105-3608			
NAME TERMINAL BLOCK PCB MOUNT SIDE ENTRY WIRE, STACKING W/INTERLOCK, 5mm PITCH			
SIZE	CAGE CODE	DRAWING NO	RESTRICTED TO
A3	00779	C=282836	-
SCALE 4:1		SHEET 1 OF 3	REV E

THIS DRAWING IS UNPUBLISHED. RELEASED FOR PUBLICATION 20
 © COPYRIGHT 20 BY TYCO ELECTRONICS CORPORATION. ALL RIGHTS RESERVED.

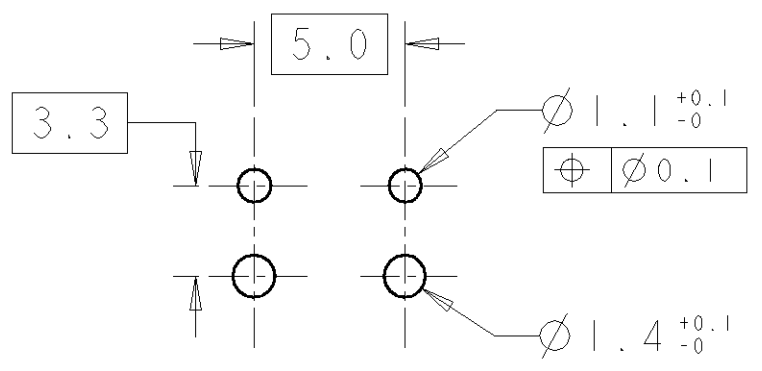
LOC	DIST	REVISIONS				
P	LTR	DESCRIPTION	DATE	DWN	APVD	
FT	0	-	SEE SHEET 1	-	-	



282836-1 AS SHOWN
 PEG VERSION



RECOMMENDED PCB BOARD LAYOUT



<small>THIS DRAWING IS A CONTROLLED DOCUMENT FOR TYCO ELECTRONICS CORPORATION IT IS SUBJECT TO CHANGE AND THE CONTROLLING ENGINEERING ORGANIZATION SHOULD BE CONTACTED FOR THE LATEST REVISION.</small>		DWN 24AUG2001 E. ZANOLINI CHK 24AUG2001 D. BIEVENOUR APVD 24AUG2001 D. BIEVENOUR		BUCHANAN Tyco Electronics Harrisburg, PA 17105-3608	
DIMENSIONS: mm		TOLERANCES UNLESS OTHERWISE SPECIFIED: 0 PLC ±- 1 PLC ±.2 2 PLC ±.15 3 PLC ±- 4 PLC ±- ANGLES ±2		NAME TERMINAL BLOCK PCB MOUNT SIDE ENTRY WIRE, STACKING W/INTERLOCK, 5mm PITCH	
MATERIAL -		FINISH -		PRODUCT SPEC - APPLICATION SPEC - WEIGHT -	
		CUSTOMER DRAWING		SIZE A3 CAGE CODE 00779 DRAWING NO C=282836 RESTRICTED TO -	
		SCALE 4:1		SHEET 2 OF 3 REV E	

THIS DRAWING IS UNPUBLISHED.

RELEASED FOR PUBLICATION

20

© COPYRIGHT 20

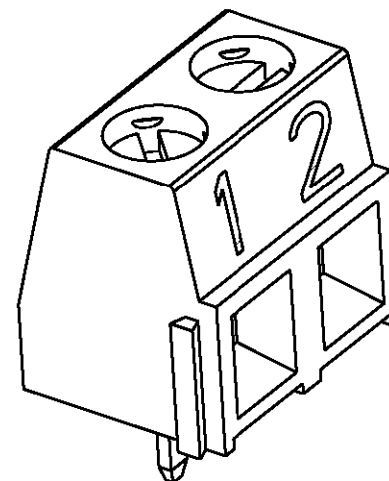
BY TYCO ELECTRONICS CORPORATION. ALL RIGHTS RESERVED.

LOC	DIST	REVISIONS			
P	LTR	DESCRIPTION	DATE	DWN	APVD
		SEE SHEET 1	-	-	-

- 1 MATERIALS AND FINISH
HOUSING: PA 6-6, UL 94-V0, COLOR GREEN.
CLAMP: BRASS, NICKEL PLATED.
TERMINAL: BRASS, TIN PLATED.
CLAMPING SCREW: M3, BRASS, NICKEL PLATED.
- 2 SUITABLE FOR 1,6-2,4mm PC BOARD THICKNESS.
- 3 END-TO-END STACKABLE W/INTERLOCK WITHOUT LOSS OF CENTERLINE SPACING.
- 4 WIRE SIZE RANGE
SOLID WIRE: 0,03-1,5mm² (15AWG).
STRANDED WIRE: 0,03-1mm² (17AWG).
- 5 RECOGNIZED UNDER THE COMPONENT PROGRAM OF UNDERWRITERS LABORATORIES INC. FILE N° E60677.
- 6 IMQ CERTIFICATE WITH SURVEILLANCE IN CONFORMITY WITH IEC 998-1/998-2-1.

7 NOT CUMULATIVE TOLERANCE.

8 INK MARKING, WHITE COLOR, UNLESS OTHERWISE SPECIFIED. NUMERICAL SEQUENCE FROM LEFT TO RIGHT UNLESS OTHERWISE SPECIFIED.



1-282836-3 AS SHOWN

<small>THIS DRAWING IS A CONTROLLED DOCUMENT FOR TYCO ELECTRONICS CORPORATION IT IS SUBJECT TO CHANGE AND THE CONTROLLING ENGINEERING ORGANIZATION SHOULD BE CONTACTED FOR THE LATEST REVISION.</small>		DWN 24AUG2001 E. ZANOLINI CHK 24AUG2001 D. BIEVENOUR APVD 24AUG2001 D. BIEVENOUR		BUCHANAN Tyco Electronics Harrisburg, PA 17105-3608	
DIMENSIONS: mm 		TOLERANCES UNLESS OTHERWISE SPECIFIED: 0 PLC ±- 1 PLC ±.2 2 PLC ±.15 3 PLC ±- 4 PLC ±- ANGLES ± ±2		NAME TERMINAL BLOCK PCB MOUNT SIDE ENTRY WIRE, STACKING W/INTERLOCK, 5mm PITCH	
MATERIAL - FINISH -		PRODUCT SPEC - APPLICATION SPEC - WEIGHT -		SIZE A3 CAGE CODE 00779 DRAWING NO C-282836 RESTRICTED TO -	
CUSTOMER DRAWING				SCALE 4:1 SHEET 3 OF 3 REV E	