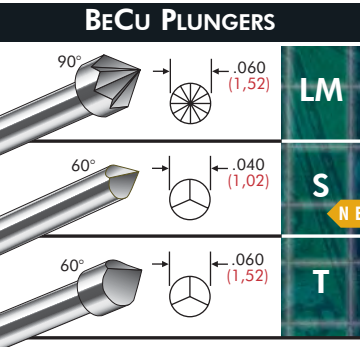


S-100-Rotator

SIZE 100

.100 CENTERS



PROBE SPECIFICATIONS

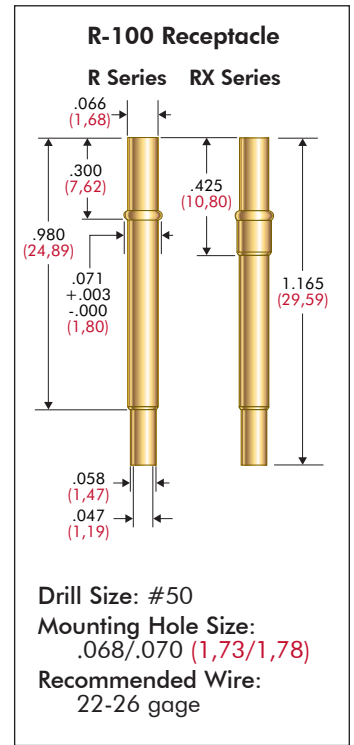
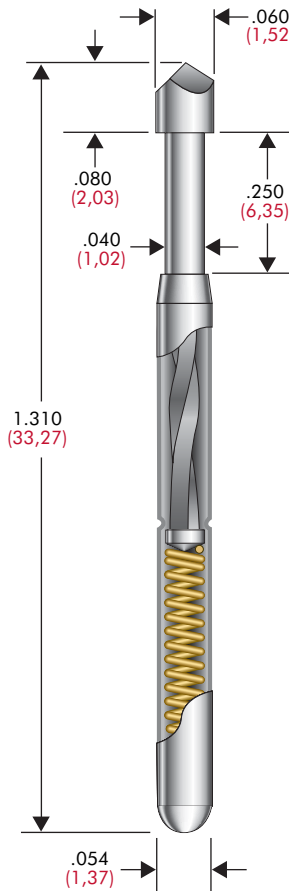
Minimum Centers: .100 (2,54)
 Current Rating: 3 amps continuous
 Spring Force: 4.0, 5.5, 6.7, 8.0 or 10.0 oz. @ .170 (4,32) travel
 Typical Resistance: <25 mΩ
 Maximum Travel: .220 (5,59)
 Working Travel: .170 (4,32)
 Rotates: 90° @ .170 (4,32) travel

Rated Force oz (gms)	Preload oz (gms)	Material
4.0 (113)	1.5 (43)	SS
5.5 (156)	2.0 (57)	SS
6.7 (190)	1.5 (43)	SS
8.0 (227)	2.8 (80)	MW
10.0 (283)	1.8 (51)	MW

MATERIALS

Contact Barrel: DuraGold®
 Spring: Music wire or stainless steel, gold plated
 Plunger: Full-hard beryllium copper, Duralloy™ plated
 Receptacle:
 High Performance Series (R or RX): Nickel/silver, gold plated; gold plated post
 Standard Series (RS or RSX): Nickel/silver; gold plated post

S-100-ROTATOR



RECEPTACLE OPTIONS

Part Number	Style	Receptacle Length	Probe/Receptacle Combined Length	Comments
R-100-CR	Crimp	1.165 (29,59)	1.495 (37,97)	—
R-100-SC	Solder Cup	1.165 (29,59)	1.495 (37,97)	—
R-100-RP	Round Post	1.540 (39,12)	1.870 (47,50)	.375 post length - .025 dia.
R-100-WW-429	Wire Wrap	1.594 (40,49)	1.924 (48,87)	.429 post length - .025 sq.
R-100-WW-694	Wire Wrap	1.859 (47,22)	2.189 (55,60)	.694 post length - .025 sq.
R-100-WW-1.044	Wire Wrap	2.209 (56,11)	2.539 (64,49)	1.044 post length - .025 sq.

HOW TO ORDER: SPRING CONTACT PROBE RECEPTACLE

S SERIES	100 SIZE	T TIP STYLE	4 SPRING FORCE	RT ROTATOR OPTION	R SERIES	100 SIZE	WW TERMINATION	429 POST LENGTH
<p>SPRING FORCE: 4.0 oz. @ .170 (4,32) travel 5.5 oz. @ .170 (4,32) travel 6.7 oz. @ .170 (4,32) travel 8.0 oz. @ .170 (4,32) travel 10.0 oz. @ .170 (4,32) travel</p> <p>CRIMPING PLIERS: CPR100 INSERTION TOOL: RTR100</p>					<p>SERIES: R: High Performance RX: Improved Pointing Accuracy, High Performance RS: Standard Performance RSX: Improved Pointing Accuracy, Standard Performance</p> <p>TERMINATIONS: CR: Crimp SC: Solder Cup RP: Round Post WW: Wire Wrap</p> <p>POST LENGTH: WW: 429, 694 or 1.044</p>			

View updates of this information at www.idinet.com

For more information on Rotators, see page 116.

Specifications subject to change without notice. Dimensions in inches (millimeters)