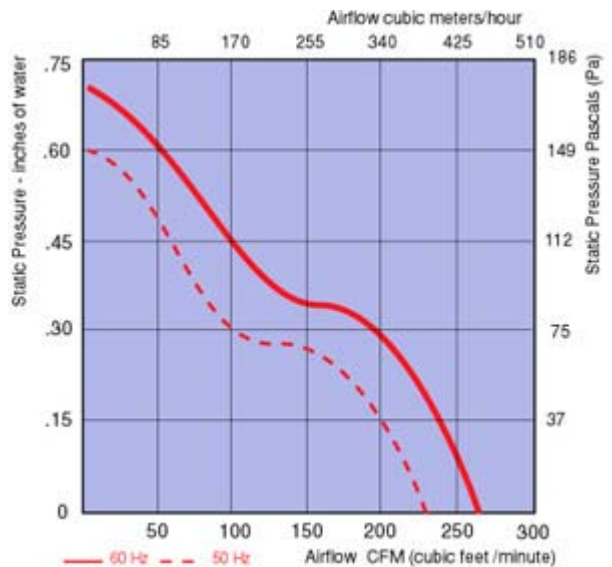
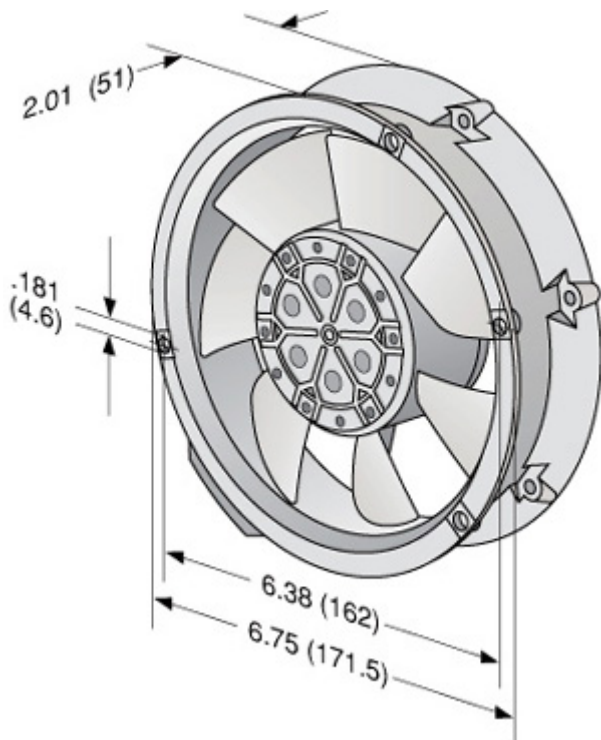


W2E143 Series Tubeaxial

AC fan, metal housing, metal impeller, PSC motor, terminals. Air exhaust over struts. UL, CSA, VDE approvals

Part Number	CFM @ 0	Volts	Hertz	Power (W)	dBA	Max Ambient	Wgt. (lbs)	Type Of Bearing	Features	Size
						Temp C				
W2E143-AA09-01	260	230	50/60	26	58	70	2.19	Ball	PSC .110 Terminals	72 round x 51 mm
W2E143-AA09-88	260	230	50/60	29	60	70	2.19	Ball	PSC/Term/Hall Effect	72 round x 51 mm
W2E143-AA15-01	260	115	50/60	26	58	70	2.19	Ball	PSC .110 Terminals	72 round x 51 mm
W2E143-AB09-01	295	230	50/60	29	58	75	2.19	Ball	PSC .110 Terminals	72 round x 51 mm
W2E143-AB15-01	295	115	50/60	29	58	75	2.19	Ball	PSC .110 Terminals	72 round x 51 mm



**Options
Accessories
Features**

**DXF (2-D)
CAD Drawing
(to download)**

**DWG (2-D)
CAD Drawing
(to download)**

**IGES (3-D)
CAD Drawing
(to download)**

E-mail: sales@ebm.com • TEL: 860-674-1515 • FAX: 860-674-8536
 ebm Industries Inc., 100 Hyde Road, Farmington, CT 06034 USA
 ebm Industries, Inc., 2000-2002 • ebm Industries, Inc. reserves the right to change any specifications or data without notice

Page Reference
W2E143-12/18/2002