

MCHDS Series

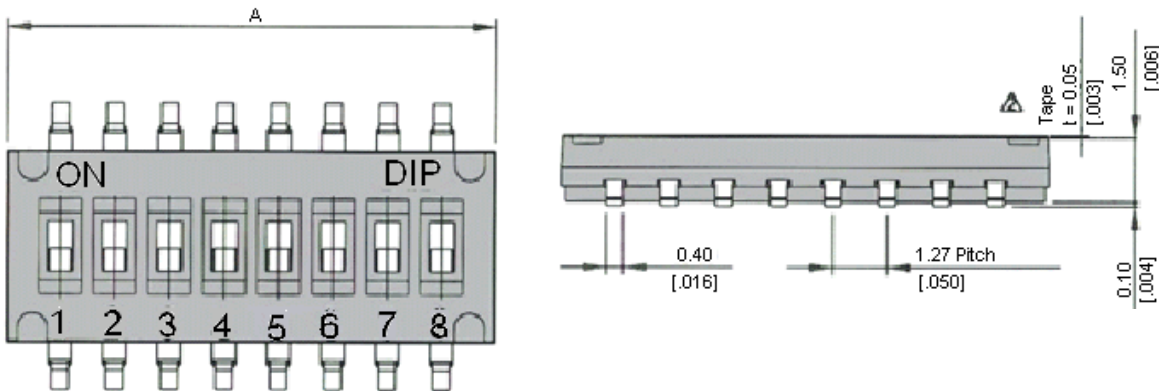
Half Pitch DIL Switches



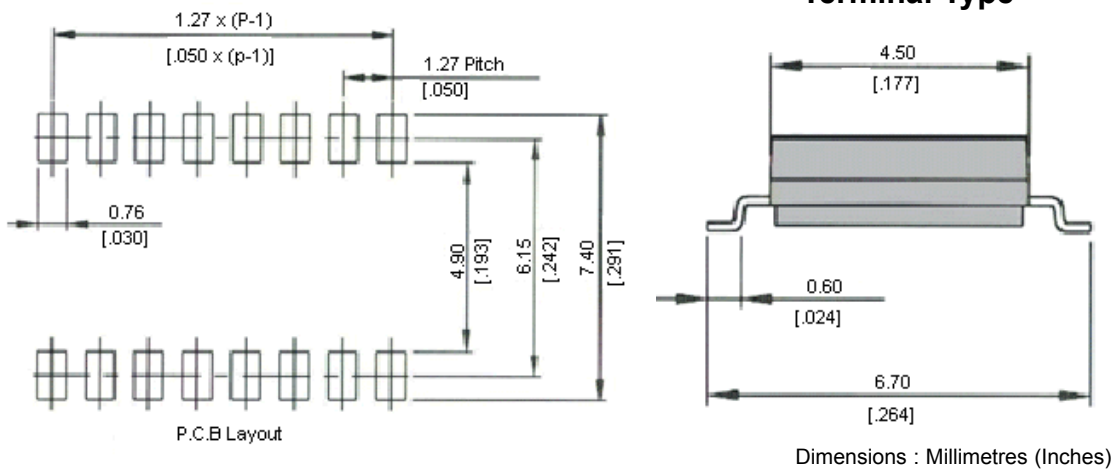
Features:

- Single pole single throw half pitch DIL switches.
- Available in low or high profile.
- Recessed Actuator.

Dimensions



Terminal Type



MCHDS Series

Half Pitch Dil Switches



Specification:

Materials:

Base	: Nylon Thermoplastic.
Colour	: Black.
Cover	: Nylon Thermoplastic.
Colour	: Black.
Actuators	: Nylon, LCP Thermoplastic.
Colour	: White.
Contact	: Alloy copper.
Contact Plating	: Gold plating over nickel.
Terminal Plating	: Gold.
Tape	: Kapton

Mechanical:

Mechanical Life	: 1000 operation cycle per switch.
Operation Force	: 500gf.
Stroke	: 0.6mm.
Operation Temperature	: -40°C to 85°C.
Storage Temperature	: -40°C to 85°C.
Vibration Test	: MIL-STD-202F Method 201A.
Frequency	: 10 - 55 - 10Hz/1 minute.
Directions	: X, Y, Z three mutually perpendicular directions.
Time	: 2 hours each direction
	High reliability.
Shock Test	: MIL-STD-202F METHOD 213B.
	CONDITION A.
Gravity	: 50G (peak value), 11 milliseconds.
Direction and times	: 6 sides and 3 times in each direction.
	High reliability.

Electrical:

Electrical Life	: 1000 operation cycle per switch 24V dc, 25mA.
Non-Switching Rating	: 100mA, 50V dc.
Switching Rating	: 25mA, 24V dc.
Contact Resistance	: 100mΩ, maximum at initial.
Insulation Resistance	: 100MΩ, minimum (at 500V dc).
Dielectric Strength	: 300V ac/1 minute.
Capacitance	: 5pF maximum.
Circuit	: Single pole single throw.

MCHDS Series

Half Pitch Dil Switches

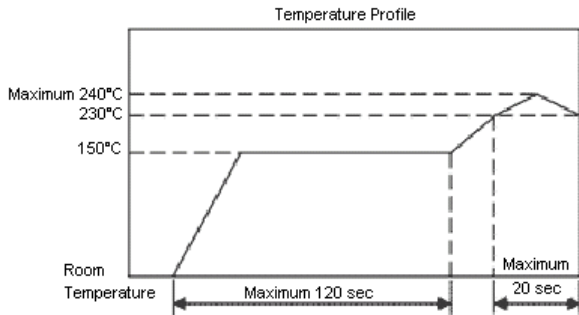


Soldering and Cleaning Processes:

Soldering: Vapour phase and Ir-reflow soldering can be applied.

Cleaning: Freon TE, Te or trichloromethane by ultrasonic wave washing for 2 minute give excellent result.

Reflow Temperature Profile. [Reference]



Care should be exercised so that flux from the upper part of the printed circuit board does not adhere to the switch.

Do not clean the switch body excepted with the top tape sealed type, which ca only spray of cleaning method from top s/w.

Packing:

All DIP switches are shipped in standard IC tubes or Tape and reel package with all poles in the "ON" Position.

Part Number Table

Type	Number of Positions	Part Number
Low Profile	4	MCNHDS-04
	8	MCNHDS-08
High Profile		MCHDS-08



MCHDS Series

Half Pitch Dil Switches



Notes:

International Sales Offices:



AUSTRALIA – Farnell InOne
Tel No: ++ 61 2 9645 8888
Fax No: ++ 61 2 9644 7898



FINLAND – Farnell InOne
Tel No: ++ 358 9 560 7780
Fax No: ++ 358 9 345 5411



NETHERLANDS – Farnell InOne
Tel No: ++ 31 30 241 7373
Fax No: ++ 31 30 241 7333



SWITZERLAND – Farnell InOne
Tel No: ++ 41 1 204 64 64
Fax No: ++ 41 1 204 64 54



AUSTRIA – Farnell InOne
Tel No: ++ 43 662 2180 680
Fax No: ++ 43 662 2180 670



FRANCE – Farnell InOne
Tel No: ++ 33 474 68 99 99
Fax No: ++ 33 474 68 99 90



NEW ZEALAND – Farnell InOne
Tel No: ++ 64 9 357 0646
Fax No: ++ 64 9 357 0656



UK – Farnell InOne
Tel No: ++ 44 8701 200 200
Fax No: ++ 44 8701 200 201



BELGIUM – Farnell InOne
Tel No: ++ 32 3 475 2810
Fax No: ++ 32 3 227 3648



GERMANY – Farnell InOne
Tel No: ++ 49 89 61 39 39 39
Fax No: ++ 49 89 613 59 01



NORWAY – Farnell InOne
Tel No: ++ 45 44 53 66 66
Fax No: ++ 45 44 53 66 02



UK – BuckHickman InOne
++ 44 8450 510 150
++ 44 8450 510 130



BRAZIL – Farnell-Newark InOne
Tel No: ++ 55 11 4066 9400
Fax No: ++ 55 11 4066 9410



HONG KONG – Farnell-Newark InOne
Tel No: ++ 852 2268 9888
Fax No: ++ 852 2268 9899



PORTUGAL – Farnell InOne
Tel No: ++ 34 93 475 8804
Fax No: ++ 34 93 474 5288



UK – CPC
++ 44 8701 202 530
++ 44 8701 202 531



CHINA – Farnell-Newark InOne
Tel No: ++86 10 6238 5152
Fax No: ++86 10 6238 5022



IRELAND – Farnell InOne
Tel No: ++ 353 1 830 9277
Fax No: ++ 353 1 830 9016



SINGAPORE – Farnell-Newark InOne
Tel No: ++ 65 6788 0200
Fax No: ++ 65 6788 0300



EXPORT – Farnell InOne
Tel No: ++ 44 8701 200 208
Fax No: ++ 44 8701 200 209

For enquiries from all other markets



DENMARK – Farnell InOne
Tel No: ++ 45 44 53 66 44
Fax No: ++ 45 44 53 66 06



ITALY – Farnell InOne
Tel No: ++ 39 02 93 995 200
Fax No: ++ 39 02 93 995 300



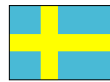
SPAIN – Farnell InOne
Tel No: ++ 34 93 475 8805
Fax No: ++ 34 93 474 5107



ESTONIA – Farnell InOne
Tel No: ++ 358 9 560 7780
Fax No: ++ 358 9 345 5411



MALAYSIA – Farnell-Newark InOne
Tel No: ++ 60 3 7873 8000
Fax No: ++ 60 3 7873 7000



SWEDEN – Farnell InOne
Tel No: ++ 46 8 730 50 00
Fax No: ++ 46 8 83 52 62

<http://www.farnellinone.com>

<http://www.buckhickmaninone.com>

<http://www.cpc.co.uk>

Disclaimer This data sheet and its contents (the "Information") belong to the Premier Farnell Group (the "Group") or are licensed to it. No licence is granted for the use of it other than for information purposes in connection with the products to which it relates. No licence of any intellectual property rights is granted. The Information is subject to change without notice and replaces all data sheets previously supplied. The Information supplied is believed to be accurate but the Group assumes no responsibility for its accuracy or completeness, any error in or omission from it or for any use made of it. Users of this data sheet should check for themselves the Information and the suitability of the products for their purpose and not make any assumptions based on information included or omitted. Liability for loss or damage resulting from any reliance on the Information or use of it (including liability resulting from negligence or where the Group was aware of the possibility of such loss or damage arising) is excluded. This will not operate to limit or restrict the Group's liability for death or personal injury resulting from its negligence. Multicomp is the registered trademark of the Group. © Premier Farnell plc 2004.

