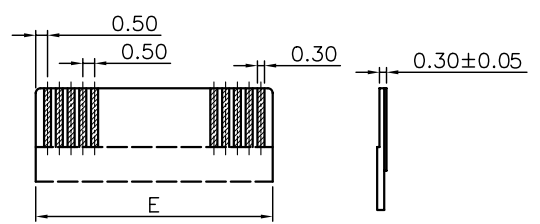
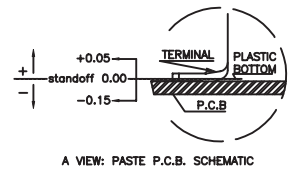
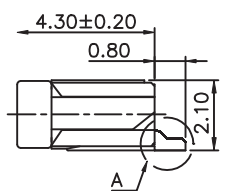
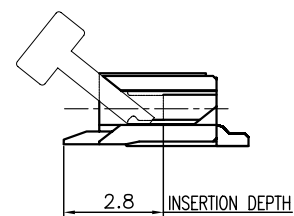


RECOMMENDED PCB LAYOUT - COMPONENT VIEW



FFC LAYOUT



MATERIAL:
 HOUSING MATERIAL: LCP
 COLOR: IVORY
 ACTUATOR MATERIAL: LCP
 COLOR: BLACK
 CONTACT MATERIAL: PHOSPOR BRONZE
 CONTACT PLATING: 100µ TIN OVER 50µ NI
 QUALITY CLASS: 25 MATING CYCLES

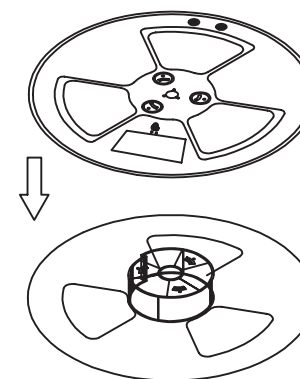
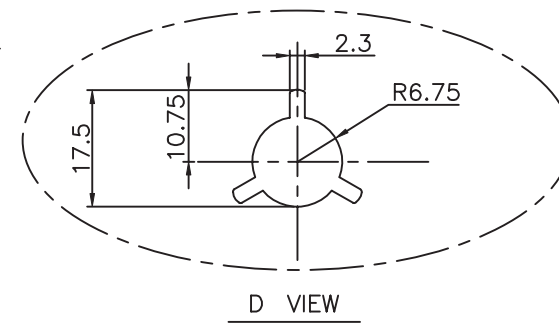
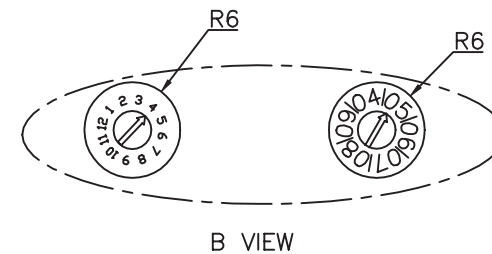
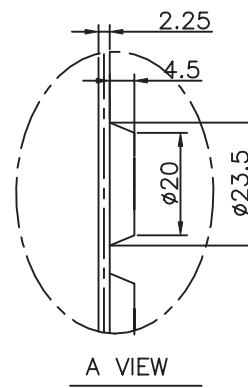
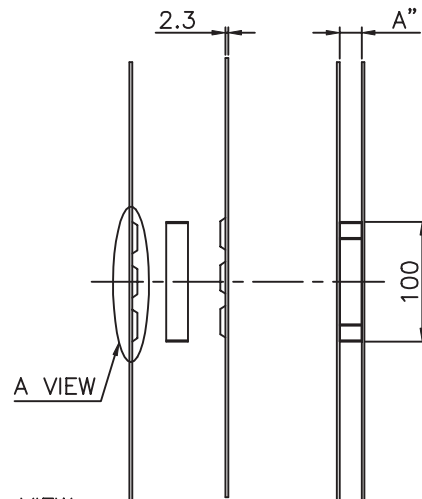
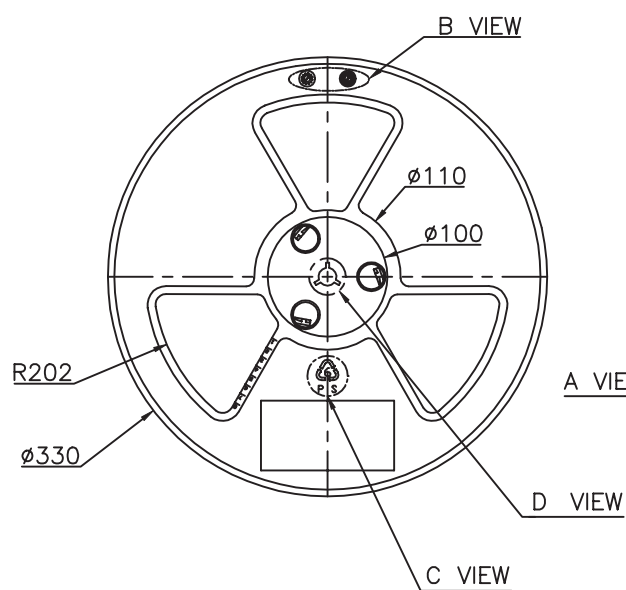
ENVIRONMENTAL:
 OPERATING TEMPERATURE: -25°C UP TO 85°C
 FLAMABILITY RATING: UL94-V0
 COMPLIANCE: LEAD FREE AND ROHS

ELECTRICAL:
 CURRENT RATING: 0.4A
 WORKING VOLTAGE: 50V
 INSULATION RESISTANCE: >100MOHM
 DIELECTRIC WITHSTANDING VOLT.: 250VAC/MN
 CONTACT RESISTANCE: 20mOHM MAX

SOLDERING:
 REFLOW PROCESS ONLY

DIMENSION:
 B = 0.5 x NB PINS + 6.4
 C = 0.5 x (NB PINS - 1)
 D = 0.5 x (NB PINS + 1) + 0.1
 E = 0.5 x (NB PINS + 1)

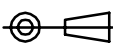
RoHS Compliant				PROJECTION: 	GENERAL TOLERANCE .X = +/- 0.2 .XX = +/- 0.15		DESCRIPTION: 0.5MM ZIF FPC HORIZONTAL BOTTOM CONTACT TYPE - TAPE & REEL PACKAGING WERI PART NO: 6871 xx 14522	SIZE A4
G								
F								
E	30-JUL-08	INSERTION DEPTH	CH					
D	26-NOV-07	MODIFICATIONS	EC					
C	19-OCT-07	WORKING VOLTAGE	CH					
B	13-MAR-07	CURRENT R.	EC					
A	02-OCT-06	PDF	JP	APPROVAL: RJ	UNIT: MM			
REV	DATE	FILE	BY		SCALE:			
					SHEET: 1/3			
					DRAW: PEARL			



NO.	REEL A	CARRIER WIDTH	COVER WIDTH	D I M A''±0.2
01	44.5mm	44mm	49.5mm	44.5mm
02	24.5mm	24mm	25.5mm	24.5mm
03	32.5mm	32mm	37.5mm	32.5mm
04	16.5mm	16mm	13.3mm	16.5mm
05	12.5mm	12mm	9.3mm	12.5mm

RoHS Compliant

G	F	E	D	C	B	A	REV
		30-JUL-08	26-NOV-07	19-OCT-07	13-MAR-07	02-OCT-06	DATE
		INSERTION DEPTH	MODIFICATIONS	WORKING VOLTAGE	CURRENT R.	PDF	FILE
		CH	EC	CH	EC	JP	BY

PROJECTION:

 APPROVAL: RJ

GENERAL TOLERANCE
 .X = ± 0.2
 .XX = ± 0.15
 UNIT: MM
 SCALE:
 SHEET: 3/3
 DRAW: PEARL

WE
 WÜRTH ELEKTRONIK
 DESCRIPTION: 0.5MM ZIF FPC HORIZONTAL BOTTOM CONTACT TYPE - TAPE & REEL PACKAGING
 WERI PART NO: 6871 xx 14522

SIZE
A4