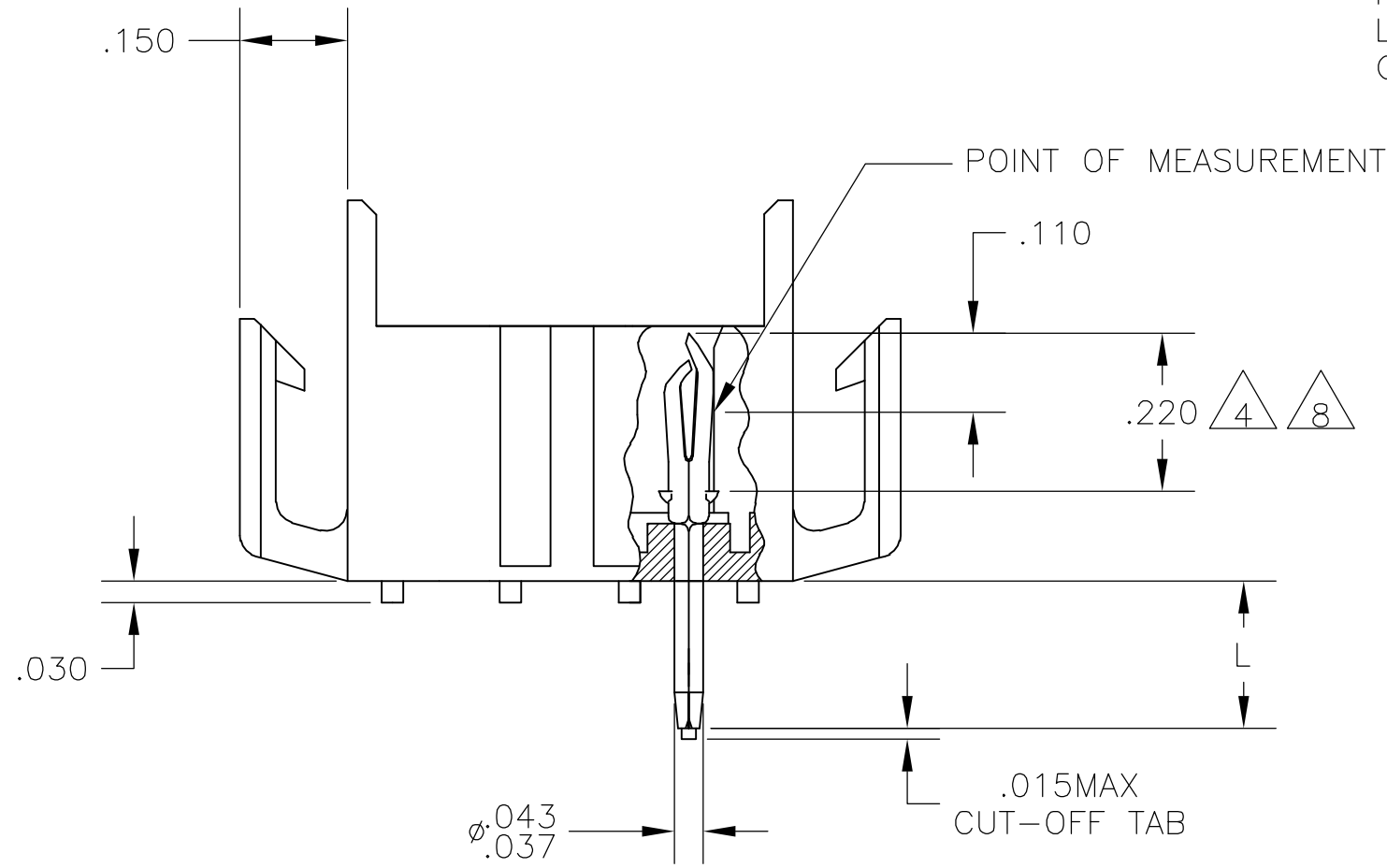
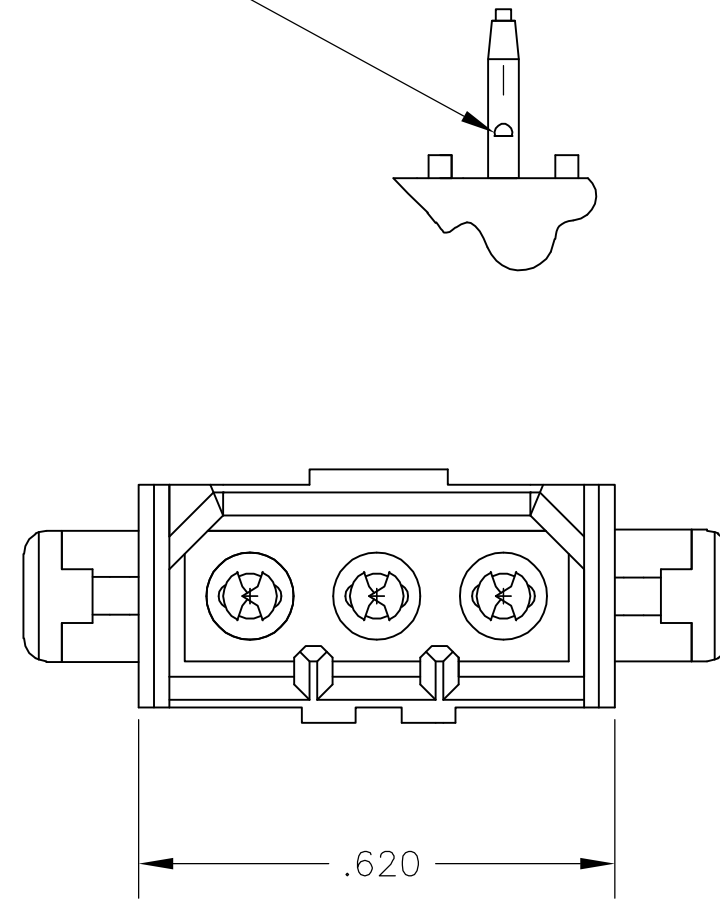
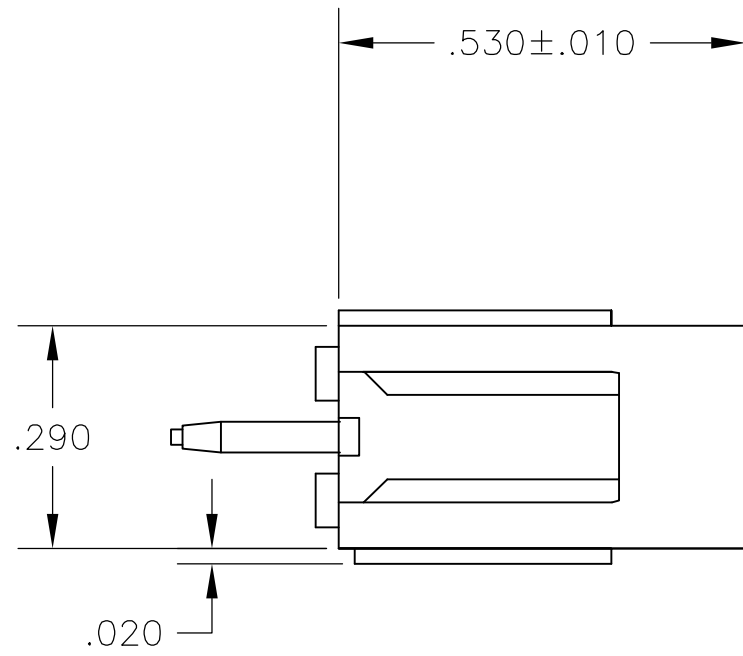
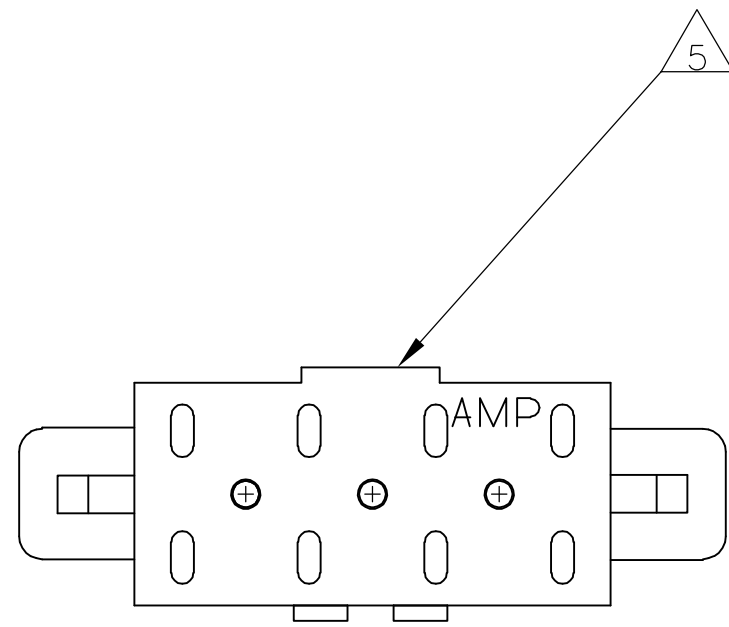


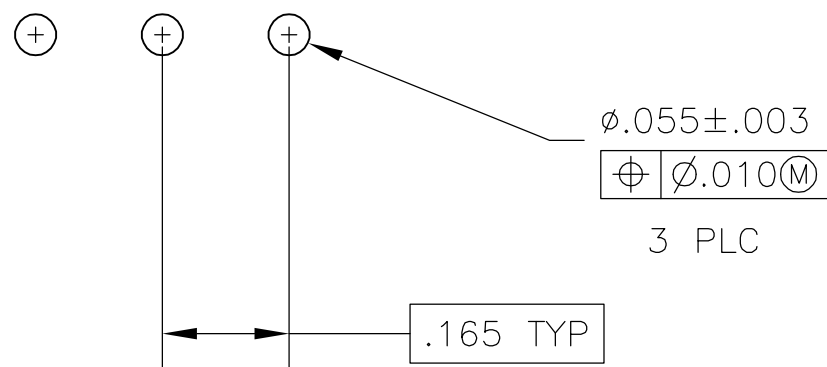
THIS DRAWING IS UNPUBLISHED. RELEASED FOR PUBLICATION
 © COPYRIGHT BY TYCO ELECTRONICS CORPORATION. ALL RIGHTS RESERVED.

LOC		DIST		REVISIONS			
P	LTR	DESCRIPTION	DATE	DWN	APVD		
CM	0	R	EC 0G3B 0249 05	24SEP05	BSV	RCJ	

ANTI SOLDER WICKING TAB



1. FITS SOCKET HOUSING 640518.
2. ASSEMBLY CONFORMS TO AMP SOLDERABILITY SPEC. 109-11-3.
3. FOR USE WITH .063 THICK P.C. BOARD.
4. CONTACT IS PLATED OVERALL WITH .000050 NICKEL, THEN .000030 GOLD OVER CONTACT LENGTH INDICATED AND .000150 MATTE TIN-LEAD ON SOLDER TAIL END.
5. UL AND CSA LOGO LOCATED ON THIS SURFACE.
6. FOR USE WITH .120 THICK P.C. BOARD.
7. FOR USE WITH .093 THICK P.C. BOARD.
8. CONTACT IS PLATED OVERALL WITH .000050 NICKEL, THEN .000030 GOLD OVER CONTACT LENGTH INDICATED AND .000150 MATTE TIN ON SOLDER TAIL END.

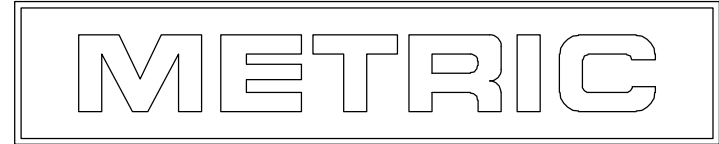


RECOMMENDED P.C. BOARD LAYOUT

.020	0.51	.165	4.19	-	-
.015	0.38	.150	3.81	-	-
.010	0.25	.110	2.79	.620	15.75
.008	0.20	.063	1.60	.530	13.46
.005	0.13	.055	1.40	.290	7.37
.003	0.08	.043	1.09	.220	5.59
.000050	0.00127	.037	0.94	.210	5.33
.000030	0.00076	.030	0.76	.180	4.57
IN	MM	IN	MM	IN	MM

CONVERSION TABLE

.180	7	BRICK RED	GOLD	8	2-640498-6
.210	6	BRICK RED	GOLD	8	2-640498-4
.150	3	BRICK RED	GOLD	8	2-640498-2
.180	7	BRICK RED	GOLD	4	640498-6
.210	6	BRICK RED	GOLD	4	640498-4
.210	6	BRICK RED	PRE-TIN	4	640498-3
.150	3	BRICK RED	GOLD	4	640498-2
.150	3	BRICK RED	PRE-TIN	4	640498-1
"L" + .010 -.020		HOUSING COLOR	PIN FINISH		PART NUMBER



THIS DRAWING IS A CONTROLLED DOCUMENT.

DWN: J. HUFFMAN 27APR98
 CHK: R. SWING 27APR98
 APVD: T. BEDDICK 27APR98

TOLERANCES UNLESS OTHERWISE SPECIFIED:
 0 PLC ± -
 1 PLC ± -
 2 PLC ± -
 3 PLC ± .005
 4 PLC ± -
 ANGLES ± 0'30"

MATERIAL: HOUSING: FLAME RETARDANT NYLON UL 94V-0 PIN: .008 PH. BRZ. SEE TABLE

tyco Electronics
 Tyco Electronics Corporation
 Harrisburg, PA 17105-3608

NAME: HEADER ASSEMBLY, PIN, 3 POSITION, MR.

SIZE: A2 CAGE CODE: 00779 DRAWING NO: C=640498 RESTRICTED TO: -

WEIGHT: - SCALE: 4:1 SHEET: 1 of 1 REV: R

CUSTOMER DRAWING