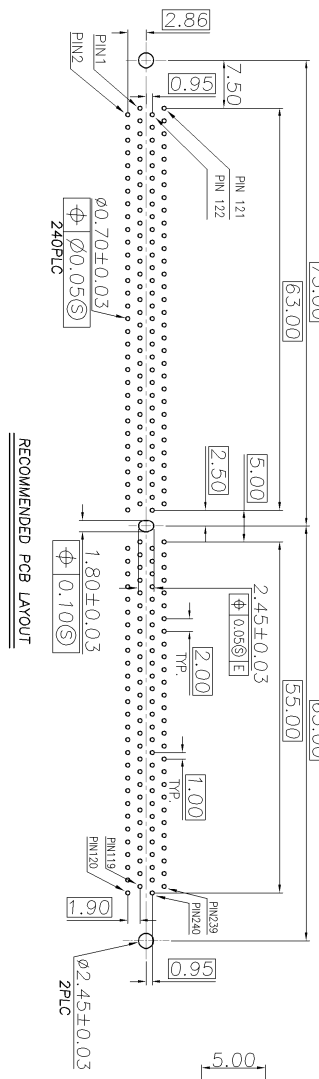
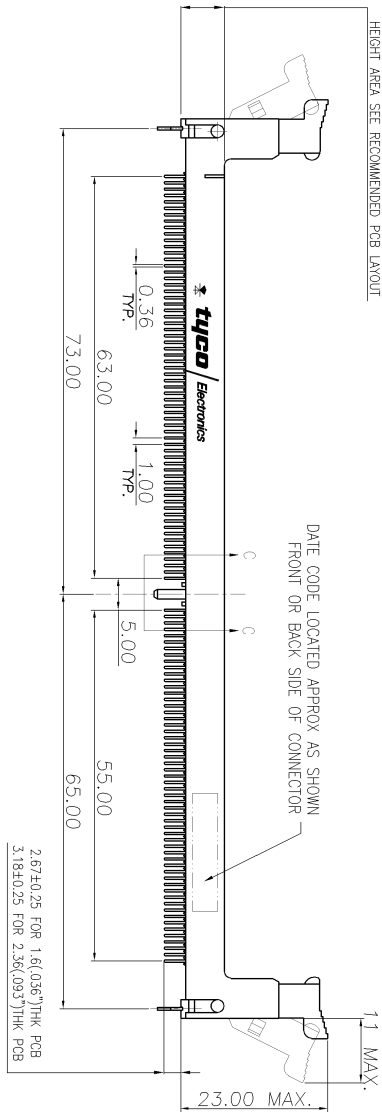
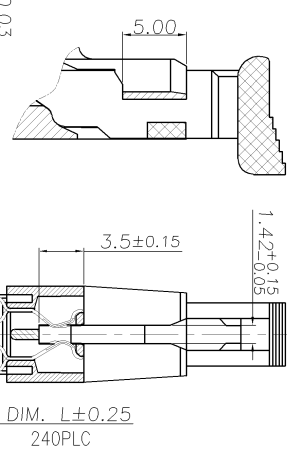


6.8 IN EXTRACTOR SHADOW MAX. COMPONENT HEIGHT AREA SEE RECOMMENDED PCB LAYOUT



SEC E-E
SCALE 2:1

SEC B-B
SCALE 2:1



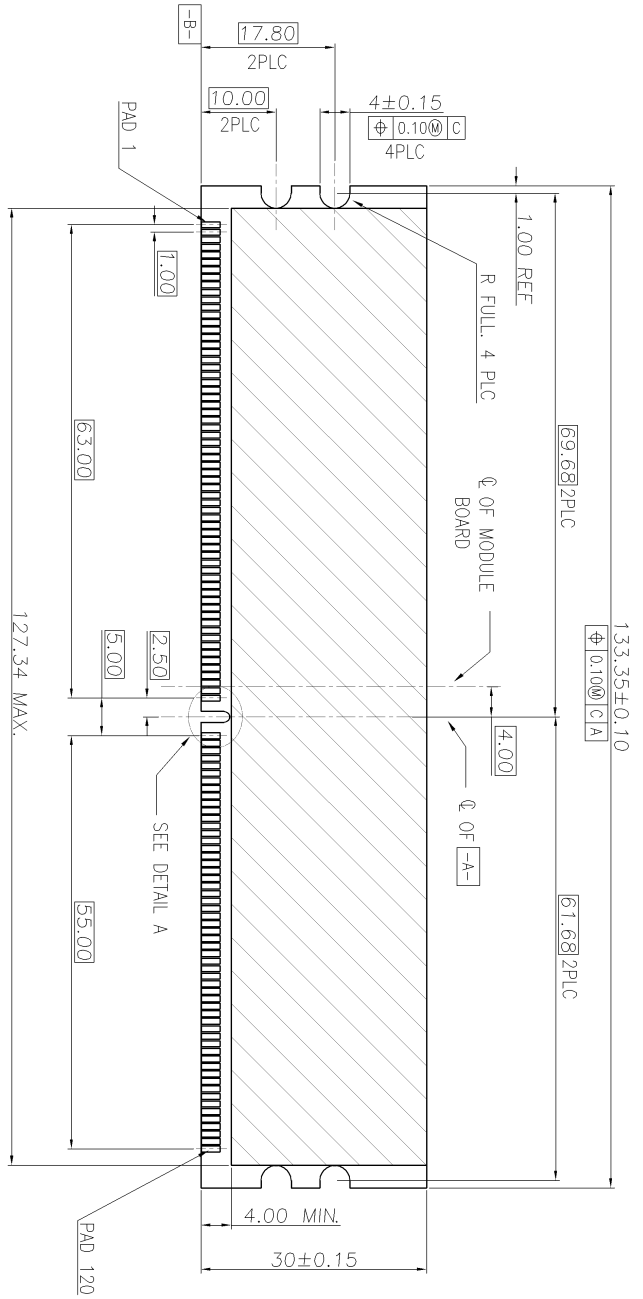
- NOTES:
1. MATERIAL: 1.1 HOUSING: THERMOPLASTIC(PA46), UL94V-0; COLOR:SEE TABLE
1.2 EXTRACTOR: THERMOPLASTIC, UL94V-0; COLOR:SEE TABLE
1.3 CONTACTS: COPPERSE TABLE
1.4 BOARDLOCK: BRASS
2. FINISH: 2.1 CONTACT: GOLD PLATING ON CONTACT AREA, 100µ" MIN. MATTE TIN PLATING ON SOLDER TAIL AREA, 50µ" MIN. NICKEL UNDERPLATING OVERALL.
2.2 BOARDLOCK: 100µ" MIN. MATTE TIN PLATING ON SOLDER TAILS, 50µ" MIN. NICKEL UNDERPLATING OVERALL.
3. WAVE SOLDER CAPABLE TO 265°C PER TYCO SPEC. 109-202, CONDITION B.

8 7 6 5 4 3 2 1

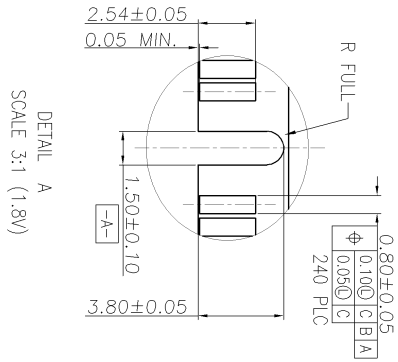
REV	DESCRIPTION	DATE	BY	CHK
0	FIRST RELEASED	FZ00-0082-04	SH KW 2004	11 MAY 2004
1	REVISION RECORD	FZ00-0082-04	SH KW 2004	11 MAY 2004
2	REVISION RECORD	FZ00-0082-04	SH KW 2004	11 MAY 2004
3	REVISION RECORD	FZ00-0082-04	SH KW 2004	11 MAY 2004
4	REVISION RECORD	FZ00-0082-04	SH KW 2004	11 MAY 2004
5	REVISION RECORD	FZ00-0082-04	SH KW 2004	11 MAY 2004
6	REVISION RECORD	FZ00-0082-04	SH KW 2004	11 MAY 2004
7	REVISION RECORD	FZ00-0082-04	SH KW 2004	11 MAY 2004
8	REVISION RECORD	FZ00-0082-04	SH KW 2004	11 MAY 2004

REV	DESCRIPTION	DATE	BY	CHK
0	FIRST RELEASED	FZ00-0082-04	SH KW 2004	11 MAY 2004
1	REVISION RECORD	FZ00-0082-04	SH KW 2004	11 MAY 2004
2	REVISION RECORD	FZ00-0082-04	SH KW 2004	11 MAY 2004
3	REVISION RECORD	FZ00-0082-04	SH KW 2004	11 MAY 2004
4	REVISION RECORD	FZ00-0082-04	SH KW 2004	11 MAY 2004
5	REVISION RECORD	FZ00-0082-04	SH KW 2004	11 MAY 2004
6	REVISION RECORD	FZ00-0082-04	SH KW 2004	11 MAY 2004
7	REVISION RECORD	FZ00-0082-04	SH KW 2004	11 MAY 2004
8	REVISION RECORD	FZ00-0082-04	SH KW 2004	11 MAY 2004

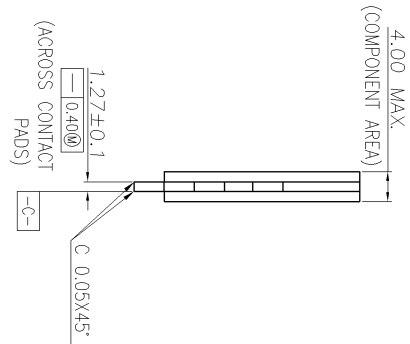
TYCO HOLDINGS (BERMUDA) VIA LTD. TAIWAN BRANCH	TYCO	DDRII 240PIN SOCKET CONNECTOR
108-57376	108-57376	108-57376
501-57407	501-57407	501-57407
9.4 GRAM	9.4 GRAM	9.4 GRAM
1 OF 3	1 OF 3	1 OF 3



PLUG COMPONENT:DDR II 240P FUNCTION CARD



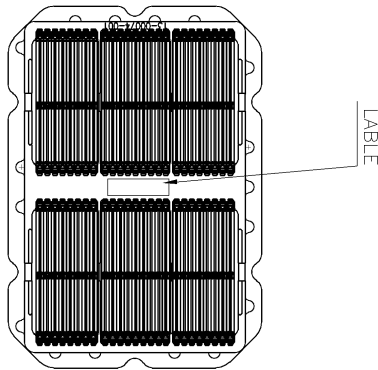
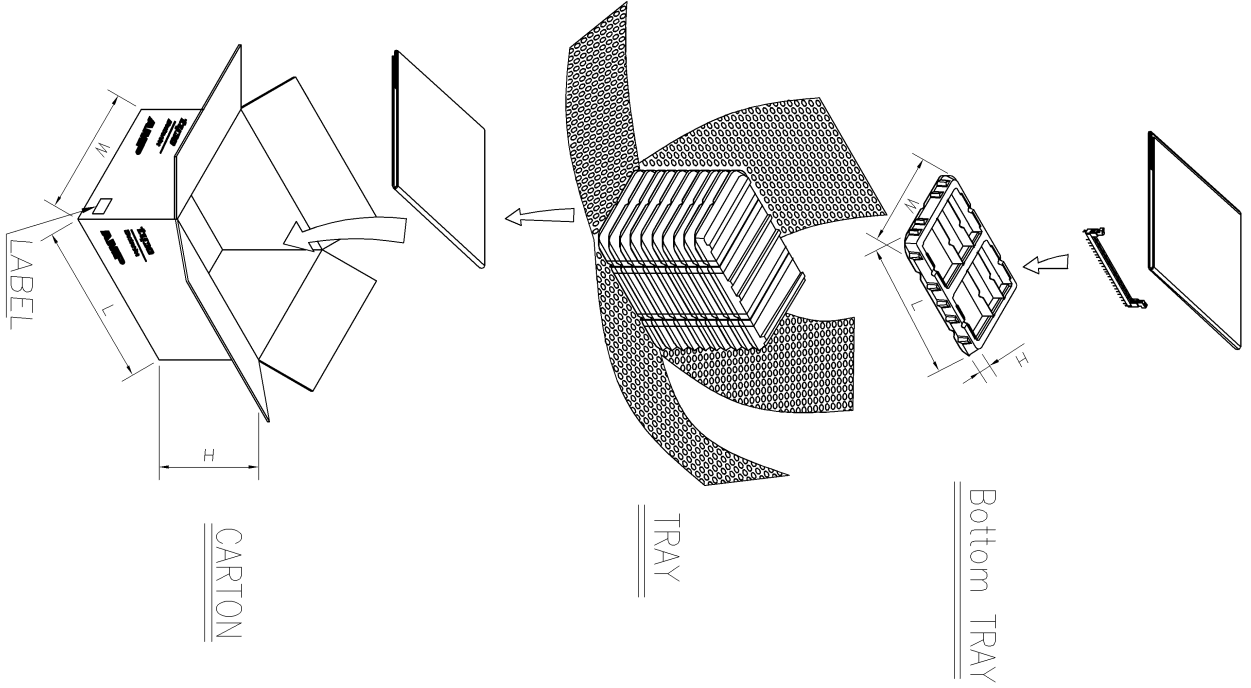
DETAIL A
SCALE 3:1 (1.8V)



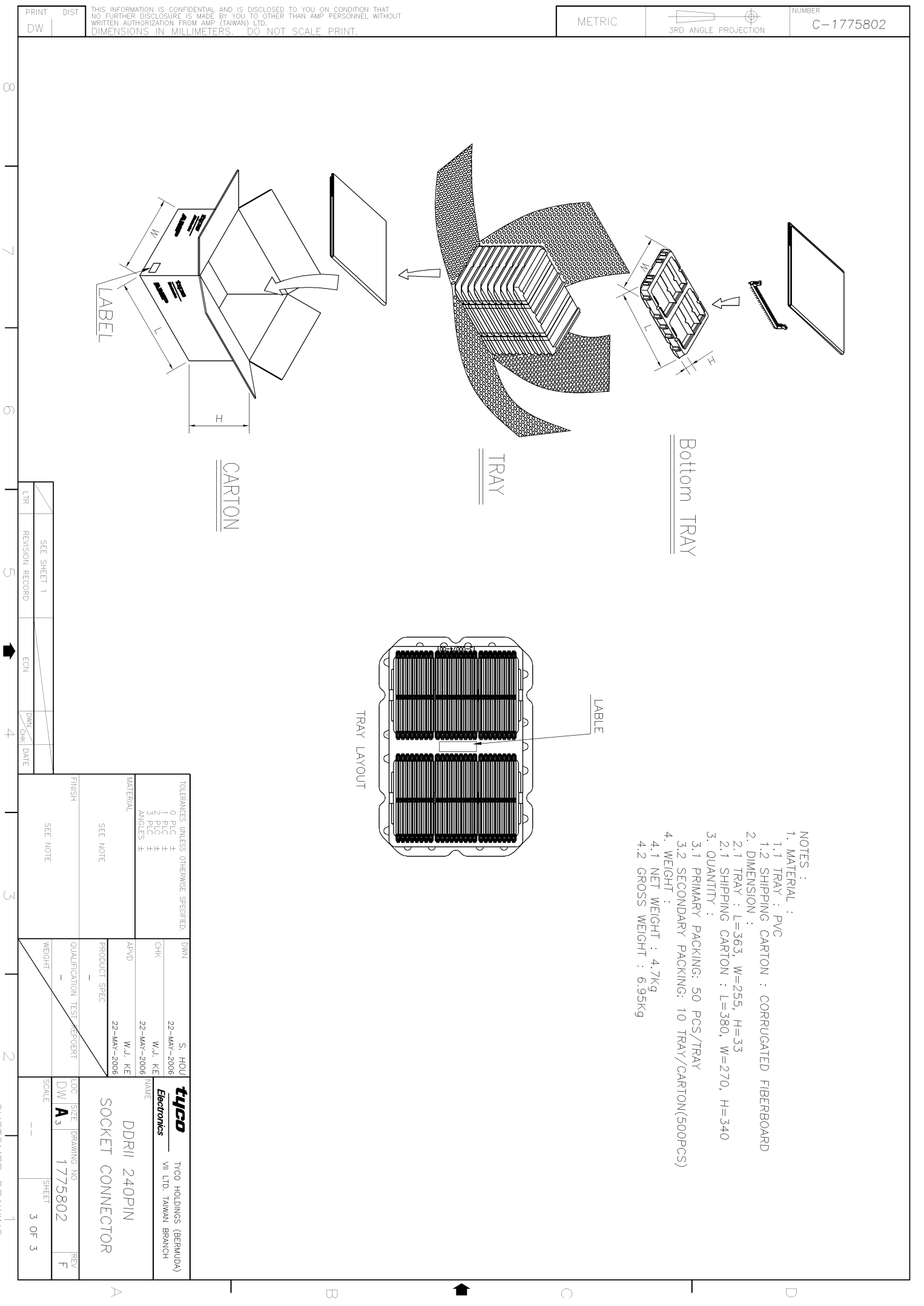
LTR	SEE SHEET 1	ECN	DWN	CHK	DATE
	REVISION RECORD				

FINISH		SEE NOTE	
TOLERANCES UNLESS OTHERWISE SPECIFIED:			
0. PLC	±0.05	1. PLC	±0.05
2. PLC	±0.02	3. PLC	±0.005
ANGLES ±0.5°			
MATERIAL		SEE NOTE	
PRODUCT SPEC		22-MAY-2006	
QUALIFICATION TEST REPORT		W. J. KE	
WEIGHT		-	
DWN		S. HOU	
CHK		W. J. KE	
APVD		22-MAY-2006	
NAME		W. J. KE	
LOC		TYCO HOLDINGS (BERMUDA)	
SIZE		VII LTD, TAIWAN BRANCH	
DRAWING NO		1775802	
SCALE		A3	
REV		F	
SHEET		2 OF 3	

tyco
Electronics
DDR II 240PIN
SOCKET CONNECTOR



- NOTES :
1. MATERIAL :
 - 1.1 TRAY : PVC
 - 1.2 SHIPPING CARTON : CORRUGATED FIBERBOARD
 2. DIMENSION :
 - 2.1 TRAY : L=363, W=255, H=33
 - 2.1 SHIPPING CARTON : L=380, W=270, H=340
 3. QUANTITY :
 - 3.1 PRIMARY PACKING: 50 PCS/TRAY
 - 3.2 SECONDARY PACKING: 10 TRAY/CARTON(500PCS)
 4. WEIGHT :
 - 4.1 NET WEIGHT : 4.7Kg
 - 4.2 GROSS WEIGHT : 6.95kg



LTR	SEE SHEET 1	EON	DWN	CHK	DATE
	REVISION RECORD				

TOLERANCES (UNLESS OTHERWISE SPECIFIED):		DWN	S. HOU
0. P.L.C.	±	22-MAY-2006	22-MAY-2006
1. P.L.C.	±	W.U. KE	W.U. KE
2. P.L.C.	±	22-MAY-2006	22-MAY-2006
3. P.L.C.	±	W.U. KE	W.U. KE
ANGLES	±	22-MAY-2006	22-MAY-2006
MATERIAL	SEE NOTE	APVD	W.U. KE
FINISH	SEE NOTE	PRODUCT SPEC	
		QUALIFICATION TEST REPORT	
		WEIGHT	
tyco Electronics		TYCO HOLDINGS (BERMUDA) VII LTD. TAIWAN BRANCH	
DDR11 240PIN SOCKET CONNECTOR		LOC	SIZE
		DW	A3
		SCALE	1775802
			REV
			F
			3 OF 3