

# Brand New! Unique Product Development!

Modular Printed Circuit High-Power Block

15mm

BlockMaster Electronics

**PART#:**

**MH130-1505**

**Type:**

Modular Printed Circuit High-Power Terminal Block

**Features:**

High Power Side-Stackable Design

**Applications:**

- Suitable for:
- Power Supplies
- Back Planes
- Industrial Controls
- HVAC Controls
- Motor Controls

**Electrical**

**Rated Voltage:**

600V UL

**Rated Current:**

125A

**Wire Size:**

2 to 20AWG  
Stranded

**Operating Temperature:**

-40C to +105C

**Materials**

**Housing:**

Polyamide 66 (UL94V-0)  
Standard Color: Green

**Terminal:**

Copper, Tin Plated

**Positions Available:**

- 2 to 8 Single
- 2 to 24 Side-Stackable

**Screw Size:**

M5.0, Steel, Zinc plated

**Cage Clamp:**

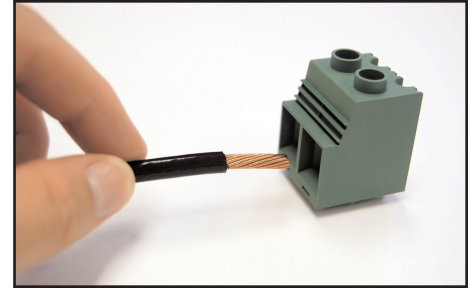
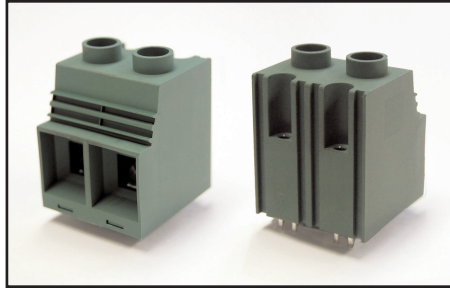
Steel, Zinc Plated

**Torque:**

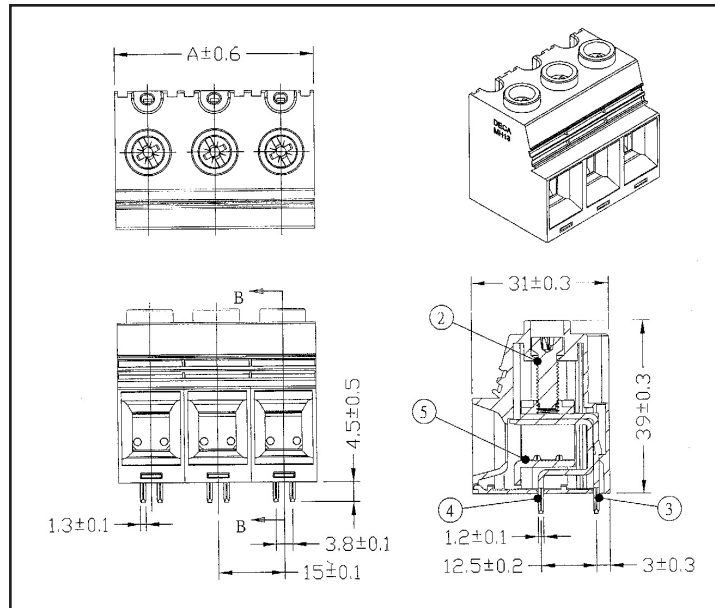
30 lb.-inch

**PCB Hole Diameter:**

1.6 mm



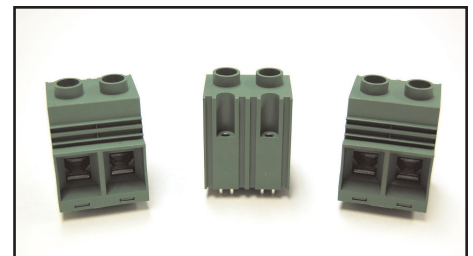
(2AWG Wire Shown)



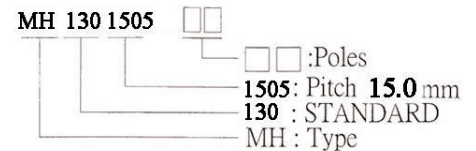
BlockMaster Electronics' new MH Series are modular, high power terminal blocks available in 2-8 positions as singles.

These modules can be sidestacked in combinations to accommodate up to 24 positions. Connect up to 125 A to your P.C. board!

If your application requires the connection of large gauge wires to P.C. boards, BlockMaster's MH series are the blocks for you.



**HOW TO ORDER:**



1400 Howard Street Phone: (847) 956-1680  
Elk Grove Village, IL 60007 Fax: (847) 956-1690

[www.BlockMaster.com](http://www.BlockMaster.com)