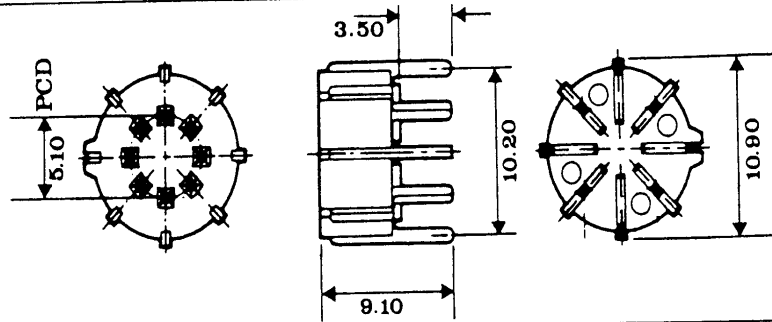
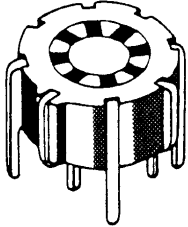


SPECIAL PURPOSE IC SOCKETS

- Moulded in 30% glass-filled polyester UL94 V-O
- Contacts gold or tin-plated phosphor bronze
- Tuning fork contacts (except W3463 which is stamped and formed)
- All products have anti-moisture feet which also aid PCB cleaning
- -65°C + 150°C temperature range

W3401

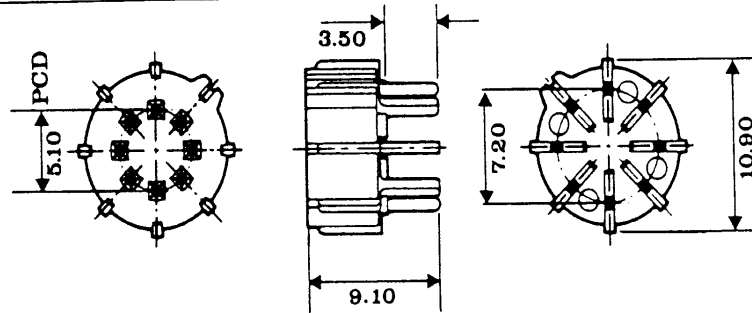
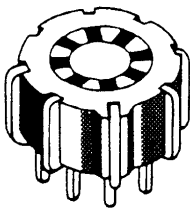
TO99, 8pin, 0.1" square grid



PART NUMBERS
W3401T = TIN
W3401G = GOLD

W3433

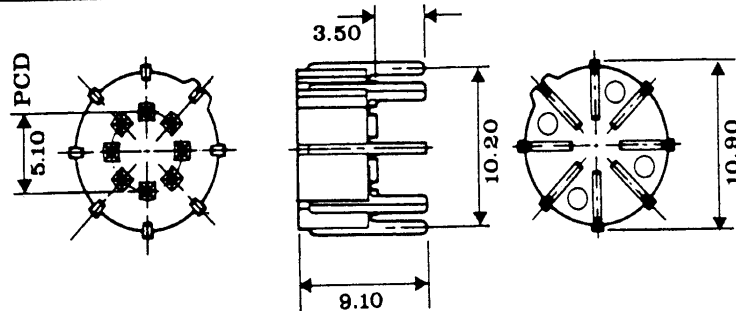
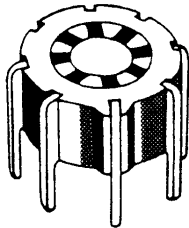
TO99, 8pin, 0.28" PCD



PART NUMBERS
W3433T = TIN
W3433G = GOLD

W3432

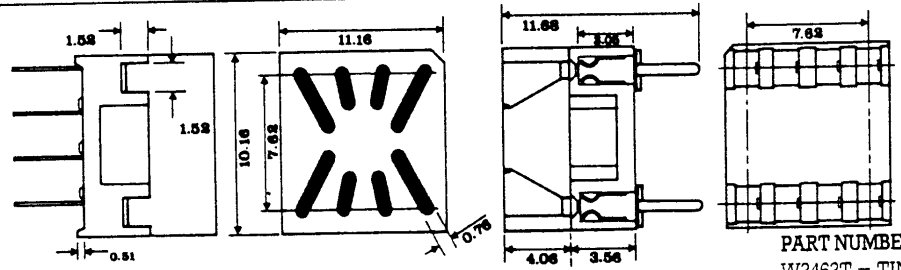
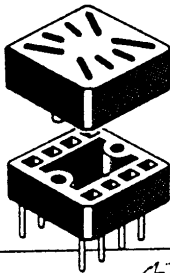
TO99, 8pin, 0.4" PCD



PART NUMBERS
W3432T = TIN
W3432G = GOLD

W3463

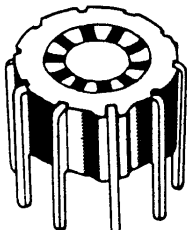
TO99, 8pin. Converts TO99 to 0.1" DIL



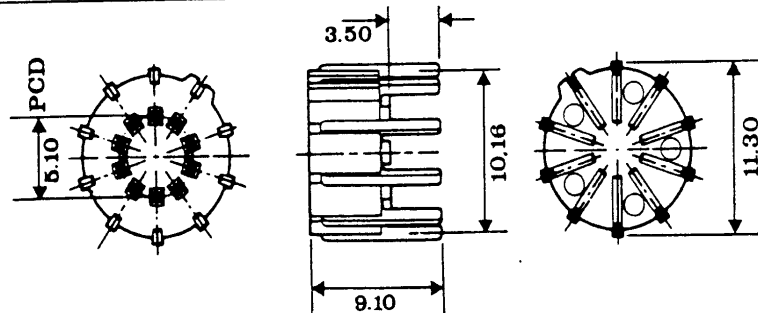
PART NUMBERS
W3463T = TIN
W3463G = GOLD

W3402

TO100, 10pin, 0.4" PCD



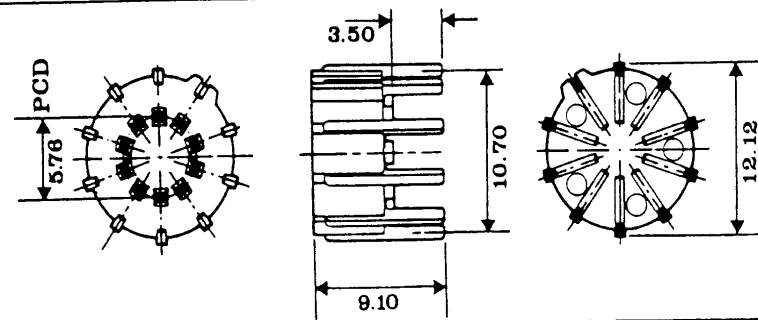
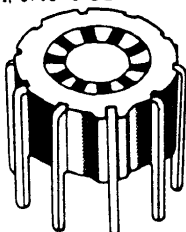
432-775



PART NUMBERS
W3402T = TIN
W3402G = GOLD

W3431

TO100, 10pin, 0.48" PCD



PART NUMBERS
W3431T = TIN
W3431G = GOLD