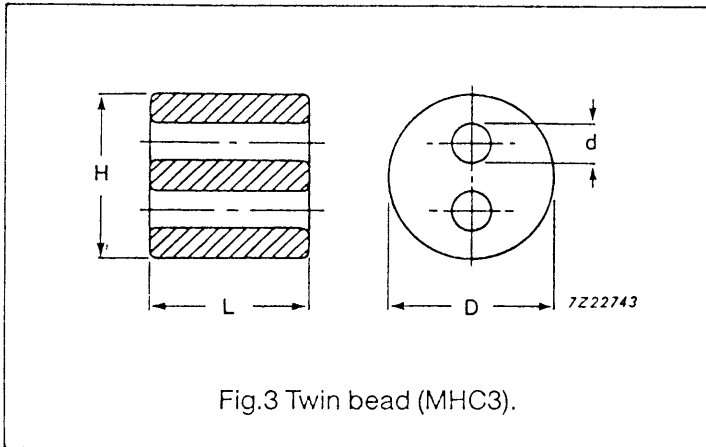
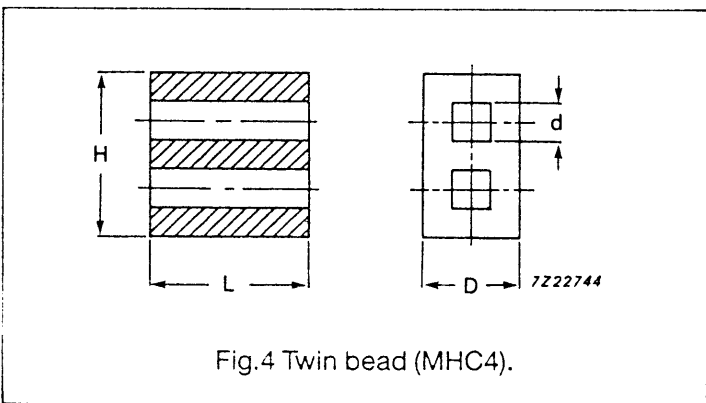


Soft Ferrites

Multi-hole cores



GRADE	DIMENSIONS			ORDERING CODE
	D (mm)	d (mm)	L (mm)	
4B1	5.6 ± 0.15	1.5 ± 0.15	12 ± 0.2	4330 030 3274



GRADE	DIMENSIONS				ORDERING CODE
	D (mm)	d (mm)	L (mm)	H (mm)	
4A11	5.4 ± 0.3	2.0 ± 0.3	10.9 ± 0.3	10.8 ± 0.3	* 4313 020 2057 *
3C85	5.4 ± 0.3	2.0 ± 0.3	10.9 ± 0.3	10.8 ± 0.3	4313 020 2080

# Material grade specification

4A11

SYMBOL	CONDITIONS	VALUE	UNIT
$\mu_i$	$\leq 10$ kHz, 0.1 mT, 25 °C	$700 \pm 20\%$	
B	10 kHz, 250 A/m, 25 °C	$\approx 270$	mT
	10 kHz, 250 A/m, 100 °C	$\approx 180$	mT
$\tan\delta/\mu_i$	1 MHz, 0.1 mT, 25 °C	$\leq 100 \cdot 10^{-6}$	
	3 MHz, 0.1 mT, 25 °C	$\leq 1000 \cdot 10^{-6}$	
$\rho$	DC, 25 °C	$\approx 10^5$	$\Omega\text{m}$
$T_c$		$\geq 125$	°C
density		$\approx 5100$	$\text{kg/m}^3$

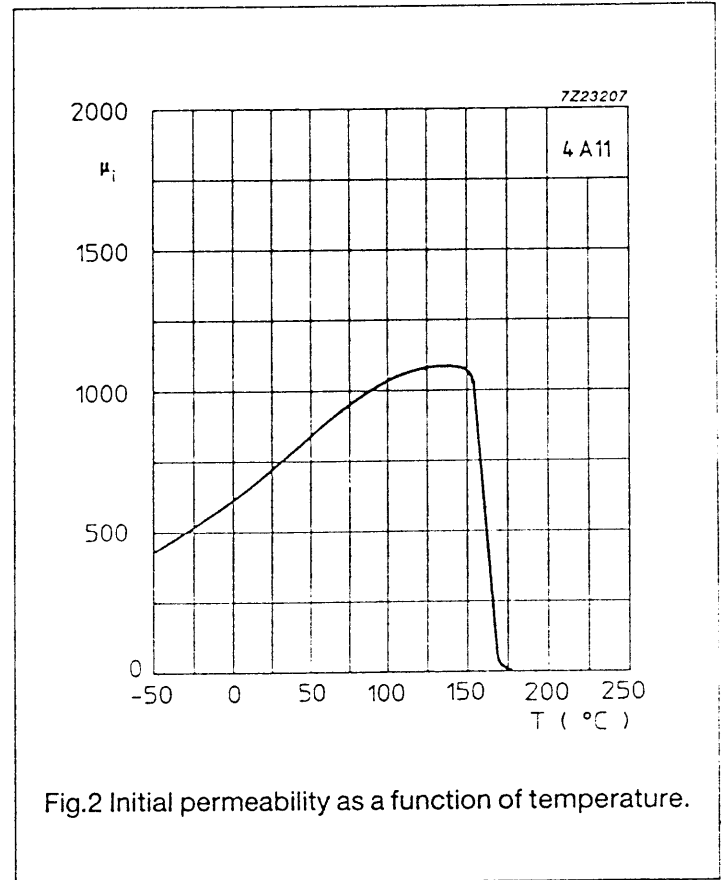


Fig.2 Initial permeability as a function of temperature.

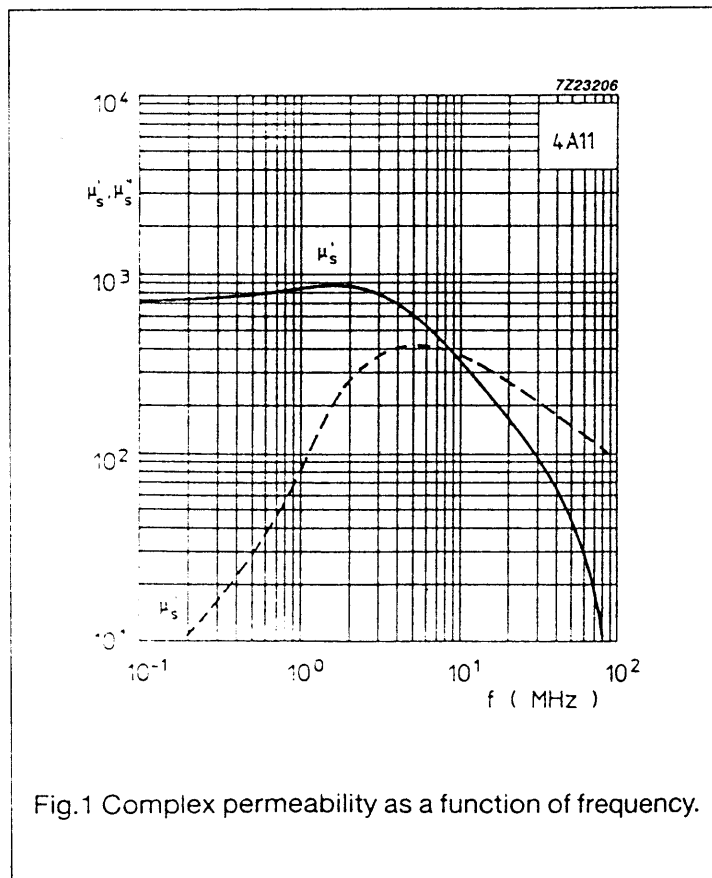


Fig.1 Complex permeability as a function of frequency.

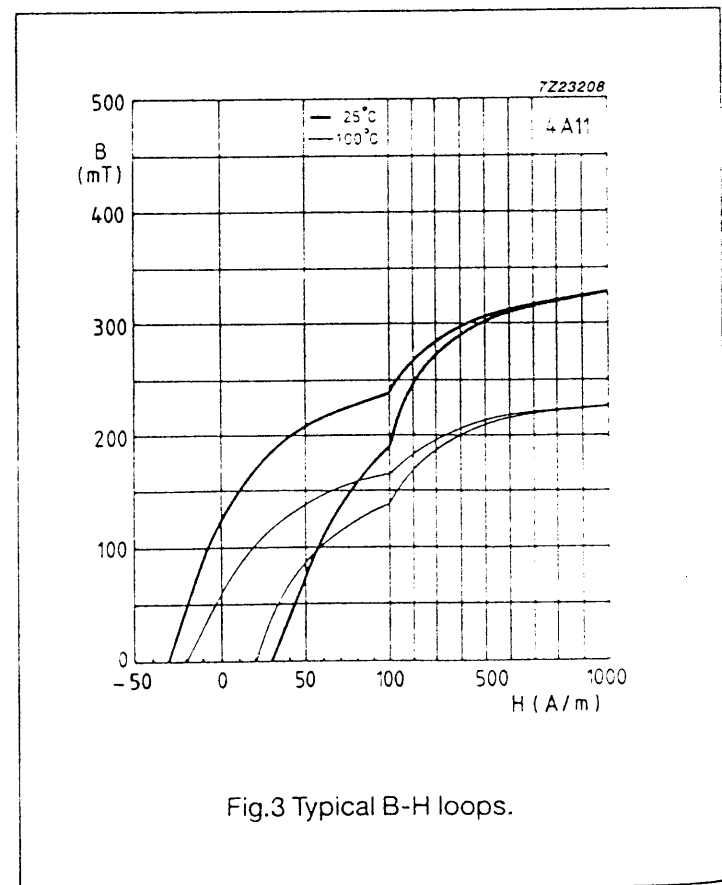


Fig.3 Typical B-H loops.