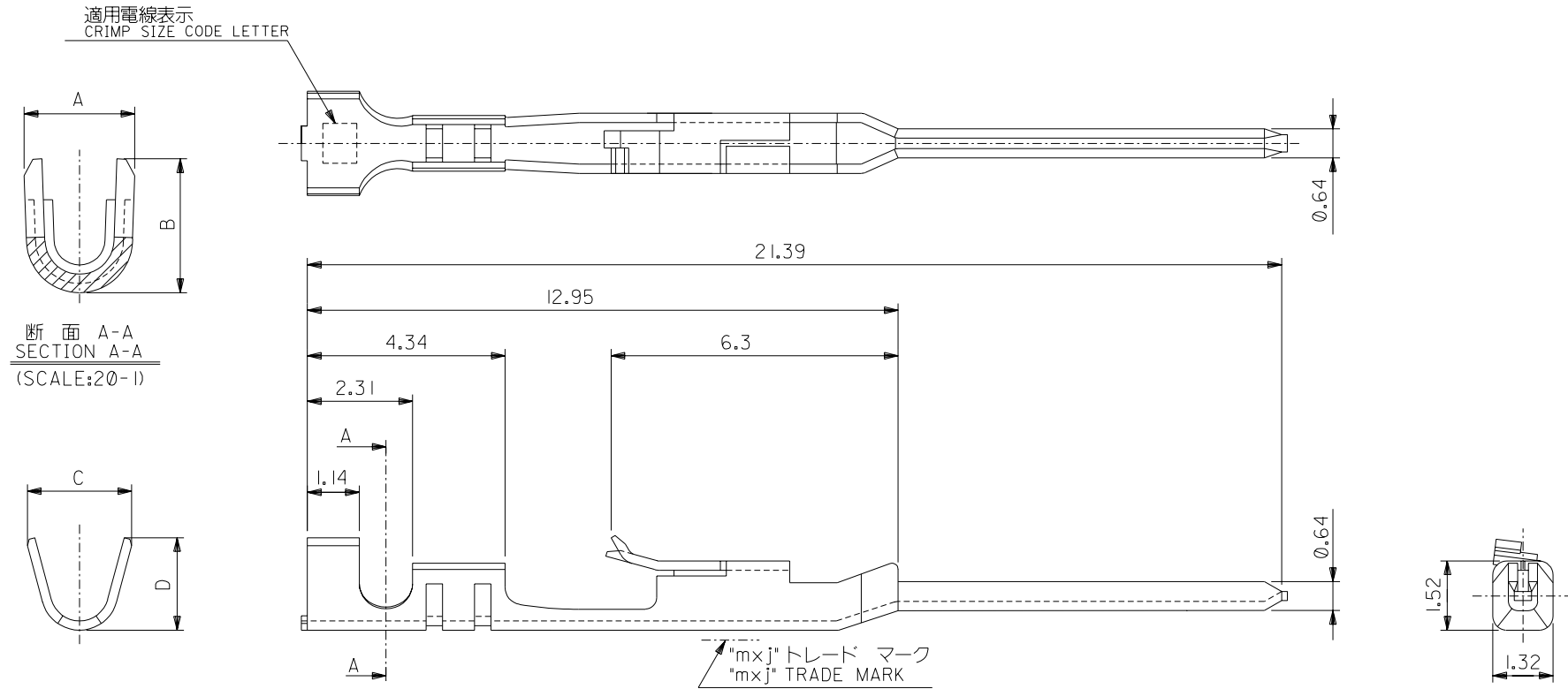


DIMENSIONS IN METRIC DO NOT SCALE DRAWING

ENG. NO. 0\*04  
SD-70021-0\*21

EDP NO. #



注記:  
NOTES:

- 適合ハウジング: 70066-\*\*\*\*, 70107-\*\*\*\*  
APPLICABLE HOUSING: 70066-\*\*\*\*, 70107-\*\*\*\*
- 仕上げ ニッケル下地、錫メッキ  
FINISH TIN OVER NICKEL PLATING

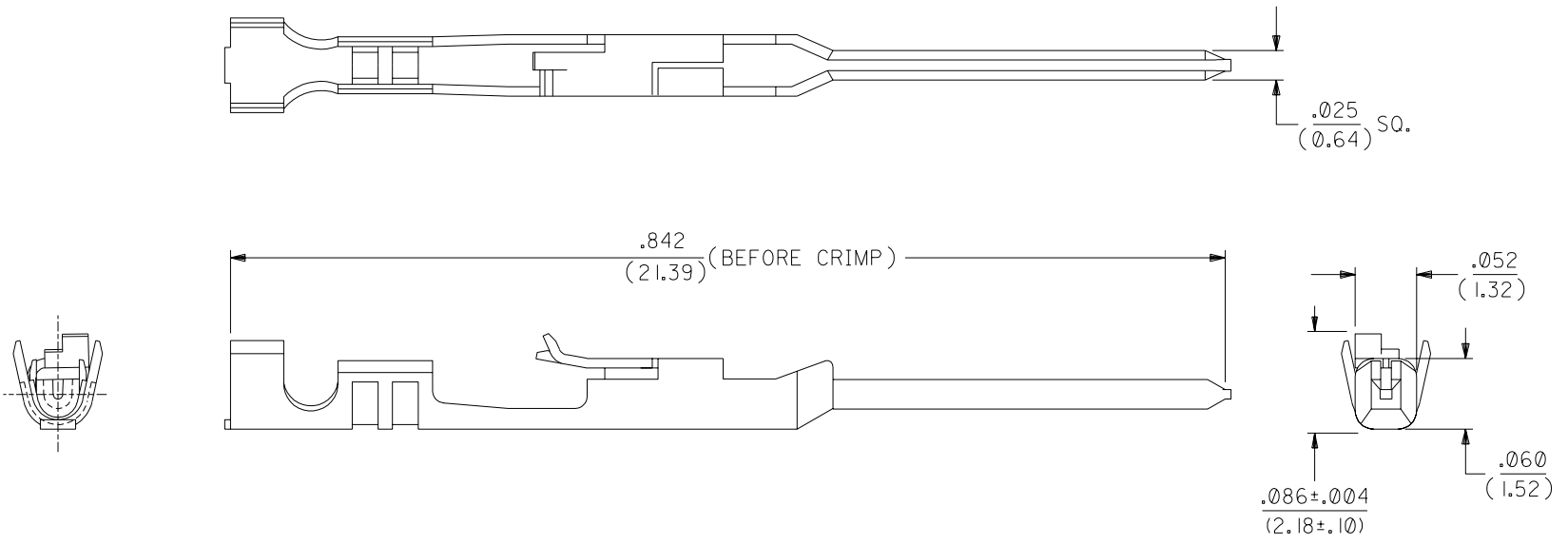
1.91	2.1	1.47	1.22	A	φ 1.6 MAX.	AWG#24-#30	バラ状 LOOSE	70021-0204
1.91	2.1	1.65	1.84	C		AWG#22-#24	バラ状 LOOSE	70021-0221
D	C	B	A	適用電線表示 CRIMP SIZE CODE LETTER	被覆外径 INS. RANGE	適用電線範囲 WIRE RANGE	端子形状 FORM	MATERIAL No.
				材料 MATERIAL	磷青銅 PHOSPHOR BRONZE		molex MOLEX-JAPAN CO.,LTD. 日本モレックス株式会社	
				仕上げ FINISH	注記参照 SEE NOTES			EDP. NO.
角度 ANGLE	+3°	B	変更 REVISED (J2004-4519)	Y.M.S	04/05/31	適用電線範囲 WIRE RANGE	表参照 SEE CHART	
30以上 OVER	+0.3	A	変更 REVISED (T20159)	H.I	19/5/20	被覆外径 INS. RANGE	表参照 SEE CHART	
10以上 OVER	+0.25	0	新規作成 RELEASED (T00110)	Y.M.S	19/4/6			
10未満 UNDER	+0.2	記号 LTR	変更内容 REVISION RECORD	DR. CHK.	日付 DATE	DRAWN BY APP'D BY	CHK'D BY SCALE	
一般公差 GENERAL TOLERANCES	REVISE ONLY ON CAD SYSTEM							

MOLEX-JAPAN CO.,LTD.  
日本モレックス株式会社

EDP. NO. #

ENG. NO. SD-70021-0\*04  
REV B

TITLE 名称  
SL MALE CRIMP TERMINAL  
-LEAD FREE-



**NOTES:**

1. TERMINAL FOR USE WITH HOUSING PART NO. 70066-\*\*\*\* & 70107-\*\*\*\*.
2. MATERIAL: .008/(0.20) THK. PHOSPHOR BRONZE.
3. TERMINAL TO BE USED WITH 24-30 AWG STRANDED WIRE WITH .060 DIA. MAX. INSULATION.
4. REFER TO MOLEX OPERATIONAL AND SERVICE MANUAL FOR DETAILS.
5. REFER TO PRODUCT SPECIFICATION NO. PS-70021.
6. PARTS SUPPLIED IN REEL FORM.

**PLATING:**

.000150 MIN. TIN PLATE  
OVER NICKEL PLATE.

\*THE PRIMARY SHIPPING CARTON WILL BE LABELED "COMPLIANT TO RoHS DIRECTIVE 2002/95/EC AND ELV ANNEX II OF DIRECTIVE 2000/53/EC". CARTONS WITHOUT THIS LABEL MAY CONTAIN PRODUCT WITH LEAD.

D	LEAD FREE UCP2004-1769 RWHITE 04/03/12
C1	REVISED ECR #U80270 MCGRATH 97/07/31
C	164 PLATING WAS 102 PER ECR # U31149 08/16/93 REED
B	REDRAWN ON CAD PER E.C.R. #9509 11/10/86 WJF/MJM

MFG.	SH.	REV.	LTR.	REVISIONS
------	-----	------	------	-----------

DIMENSIONS SHOWN (METRIC) INCH		▽ = 0 ▼ = 0		REVISE ONLY ON CAD SYSTEM													
UNLESS OTHERWISE SPECIFIED TOLERANCES: ANGULAR ± 1/2°		TITLE TERMINAL, MALE CRIMP															
<table border="1"> <thead> <tr> <th></th> <th>INCH</th> <th>METRIC</th> </tr> </thead> <tbody> <tr> <td>3 PLACE</td> <td>± .010</td> <td>---</td> </tr> <tr> <td>2 PLACE</td> <td>± .015</td> <td>± 0.25</td> </tr> <tr> <td>1 PLACE</td> <td>---</td> <td>± 0.35</td> </tr> </tbody> </table>			INCH	METRIC	3 PLACE	± .010	---	2 PLACE	± .015	± 0.25	1 PLACE	---	± 0.35	MOLEX INCORPORATED SHEET NO. DATE LISLE, ILL. 60532 U.S.A. 1 10/30/86			
	INCH	METRIC															
3 PLACE	± .010	---															
2 PLACE	± .015	± 0.25															
1 PLACE	---	± 0.35															
DRAFT WHERE APPLICABLE MUST REMAIN WITHIN DIMENSIONS		PART NO. 16-02-0105		DRWG. NO. SD-70021-0004													
DRWG. BY WJF	CHK'D. BY MJM	FILE NAME S70021X3 DGN	THIS DRAWING CONTAINS INFORMATION THAT IS PROPRIETARY TO MOLEX INC. AND SHOULD NOT BE USED WITHOUT WRITTEN PERMISSION.		DIV. SIZE DA B												
APP'D. BY WAZ	SCALE 10:1																