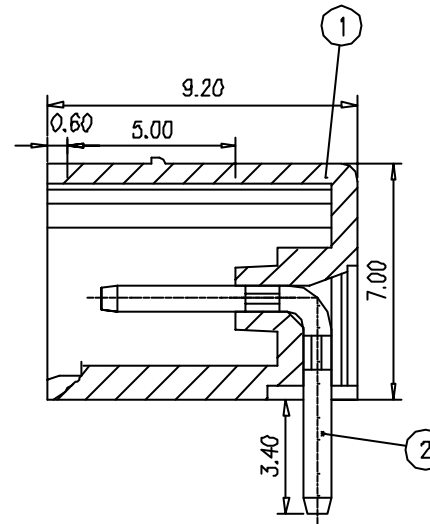
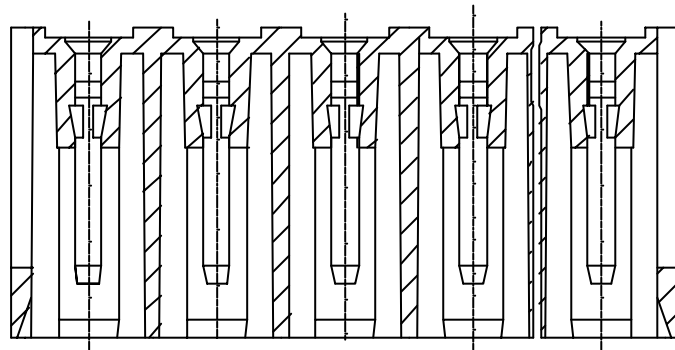


P.C.B. LAYOUT

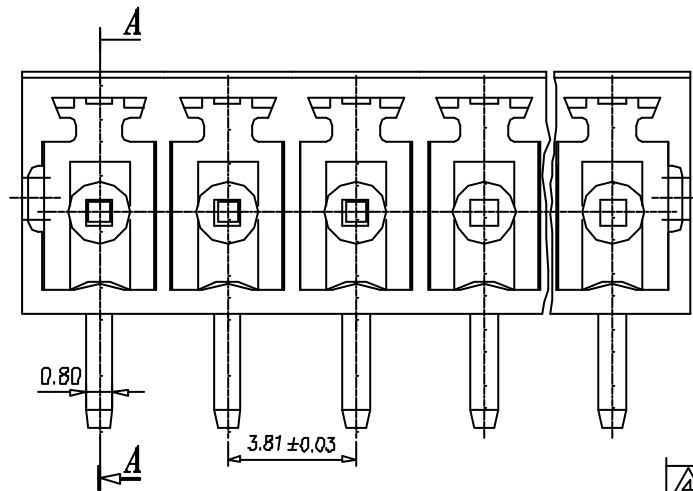
NOTES:

1. Rating: ~~488~~V BA
PITCH: 3.81 mm
2. Insulation Withstands Voltage:
AC 1000 V/MIN
3. Insulation Resistance:
1000MΩ or more at DC500V
4. Using Temperature Range:
-40°C ~ +130°C
5. Suitable Electric Wire: AWG 22-16
6. Undimensioned Tolerances:

—	∧	∇	0.05/0
⊥	//	≡	0.2/10
PITCH ERROR			0.05/0
UNDIMENSIONED TOLERANCES			±0.3



SECTION A-A



2	SOLDER PIN	0070B00200	P	COPPER	TIN PLATED
1	HOUSING	0070MQ000D	1	PBT	GREEN
ITEM	NAME OF PART	NO. OF PART	Q'TY	MATERIAL	NOTES
DWG.		DATE	99,01,28	UNITS	MM SHEET/OF 1/1
		DATE		SCALE	6:1 (:)
			99,9,1	NAME	21.155MH/XX
REV.	CONTENT	CHK.	DATE	DWG NO.	

4	YFY	02.11.19	CHK.	DATE
3	XJIANG	01.01.03	APP.	DATE
2				

