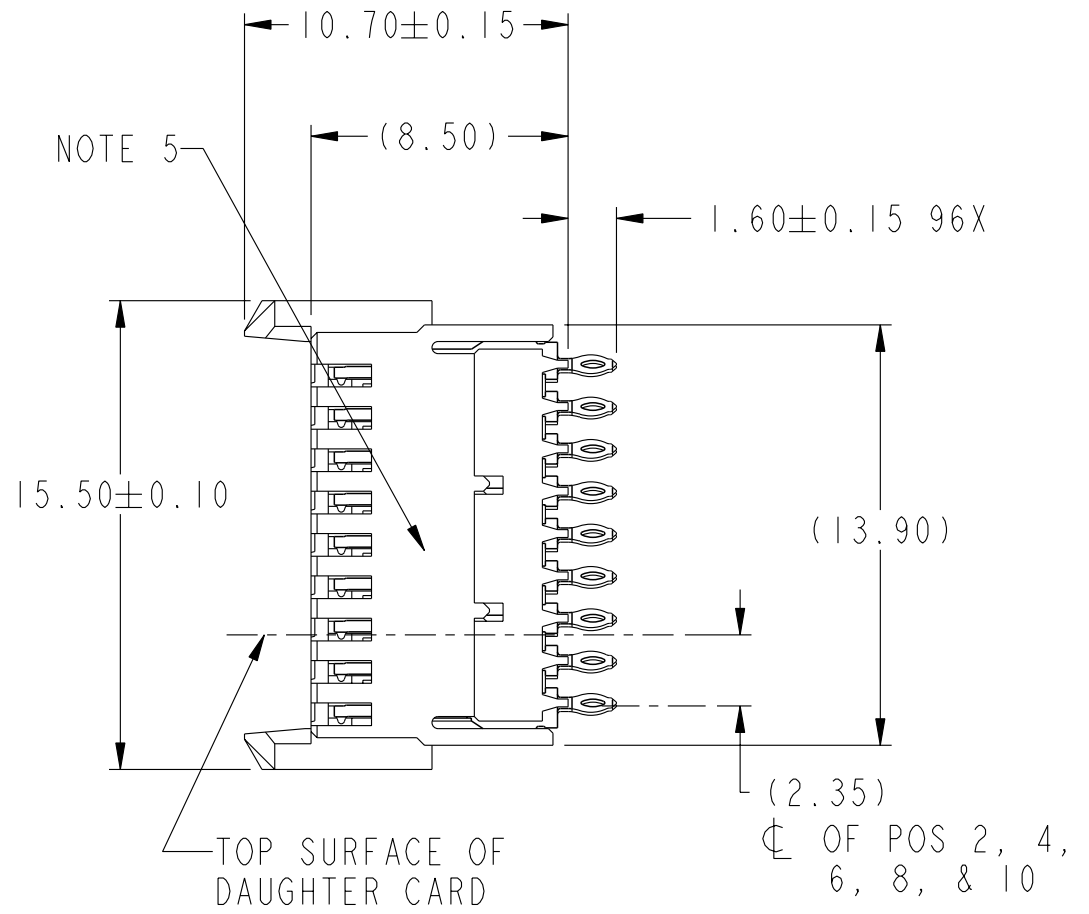
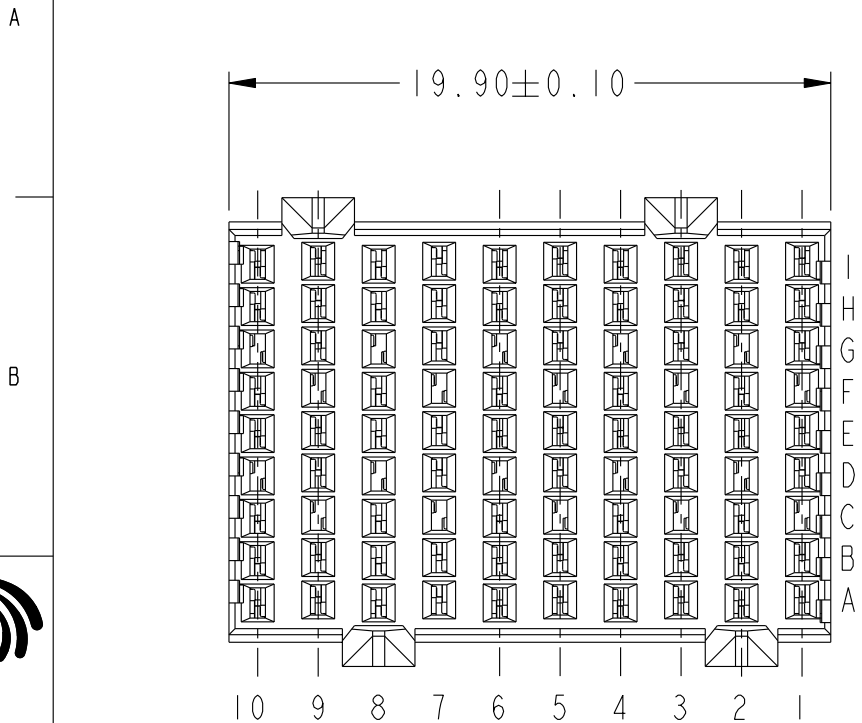


PRODUCT NUMBER  
SEE TABLE, SHEET 5

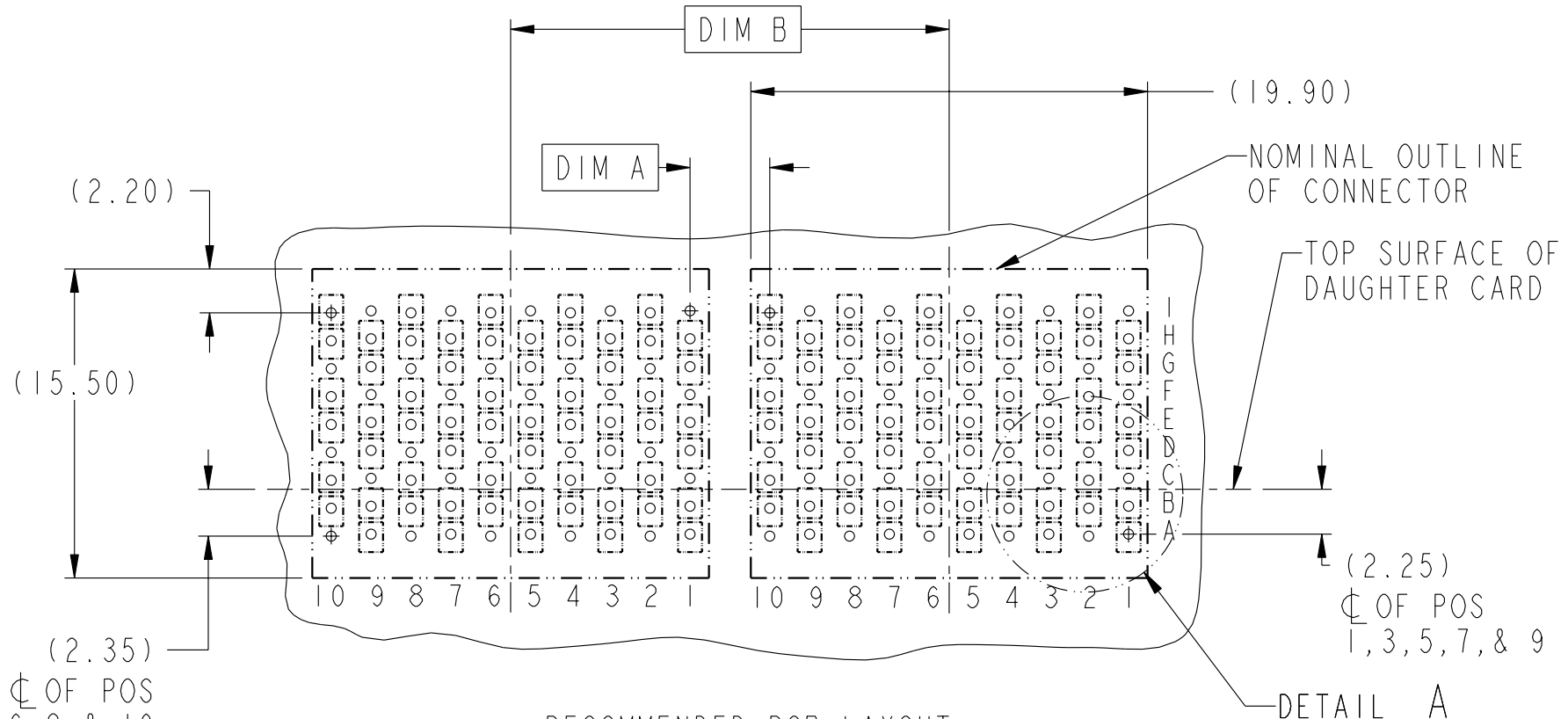


Copyright FCI.

www.fciconnect.com		surface - <input checked="" type="checkbox"/> ASME Y14.5	tolerance std - <input checked="" type="checkbox"/> ASME Y14.5	projection	MM
		TOLERANCES UNLESS OTHERWISE SPECIFIED			Scale 4:1
Dr	T. HOUTZ	2004-06-15	ANGULAR	0.X ±	size A4
Eng	S. MINICH	2004-06-15	LINEAR	0.XX ±	ECN ***
Chr	C.H. TAN	2007-02-08	0° ±	0.XXX ±	Spec ref RELEASED
Appr	JOEY NG	2007-02-08	Product family AirMax VS		
		AirMax VS VERT RECPT ASSY		dwg no 10034251	Rev. B
		PRESS-FIT, 90 POS, 20MM		CUSTOMER	sheet 1 of 5
rev	ecn no	dr	date	catalog no	
A	V05-0461	LRJ	2006-02-24		
B	S07-0043	LS	2007-02-08		
-	-	-	-		
-	-	-	-		
-	-	-	-		
-	-	-	-		

REV F - 2006-04-17

ADJACENT HEADER WIDTHS	DIM A	DIM B
20MM/20MM	2.00	20.00
22MM/22MM	4.00	22.00
20MM/22MM	3.00	21.00



(2.35)  
 ⌀ OF POS  
 2, 4, 6, 8, & 10

RECOMMENDED PCB LAYOUT  
 FOR DIFFERENTIAL APPLICATIONS  
 COMPONENT SIDE  
 (TWO ADJACENT FOOTPRINTS SHOWN)  
 NOTES 6 & 7

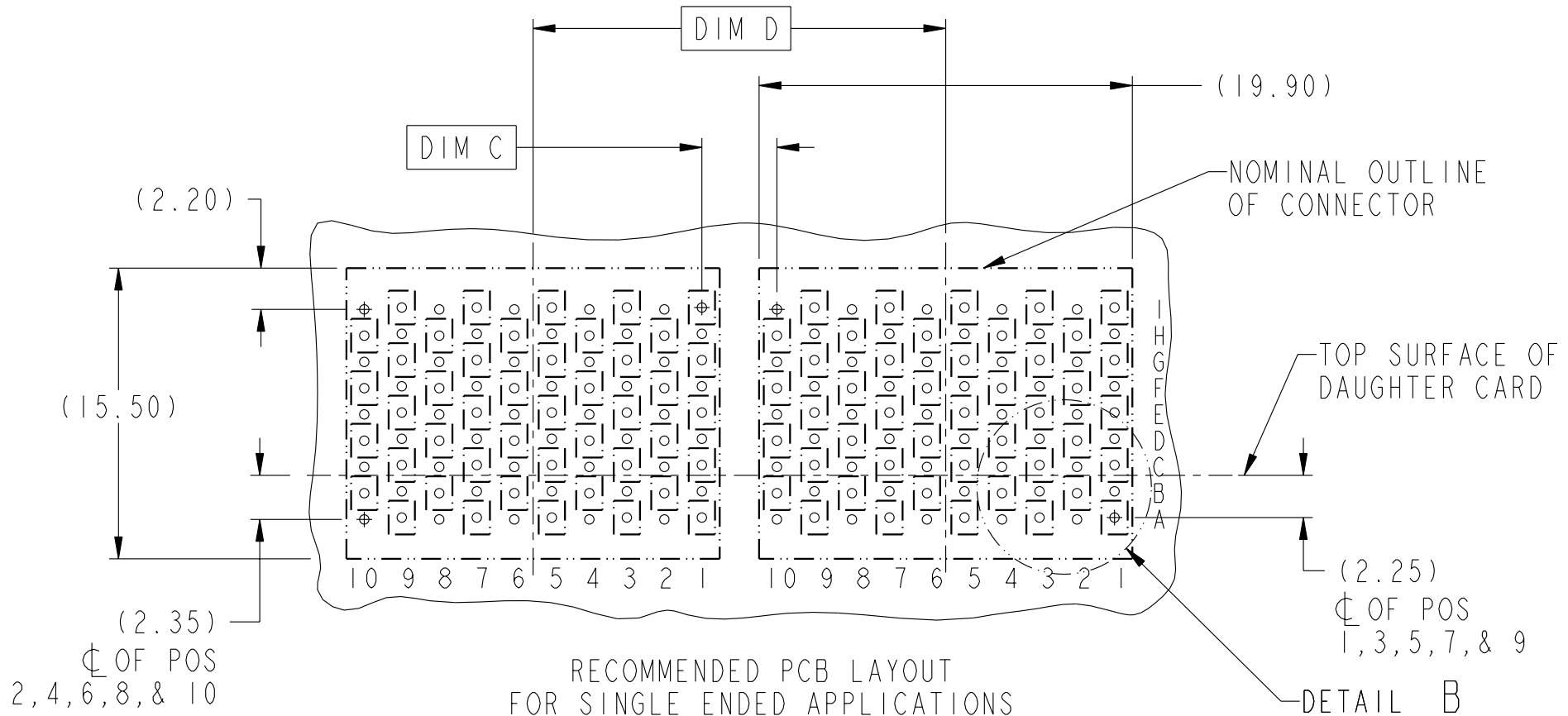
(2.25)  
 ⌀ OF POS  
 1, 3, 5, 7, & 9



Copyright FCI.

	title AirMax VS VERT RECPT ASSY PRESS-FIT, 90 POS, 20MM	dwg no 10034251	Rev. B
	catalog no -	CUSTOMER	sheet 2 of 5

ADJACENT HEADER WIDTHS	DIM C	DIM D
20MM/20MM	2.00	20.00
22MM/22MM	4.00	22.00
20MM/22MM	3.00	21.00



RECOMMENDED PCB LAYOUT  
 FOR SINGLE ENDED APPLICATIONS  
 COMPONENT SIDE  
 (TWO ADJACENT FOOTPRINTS SHOWN)  
 NOTES 6 & 7



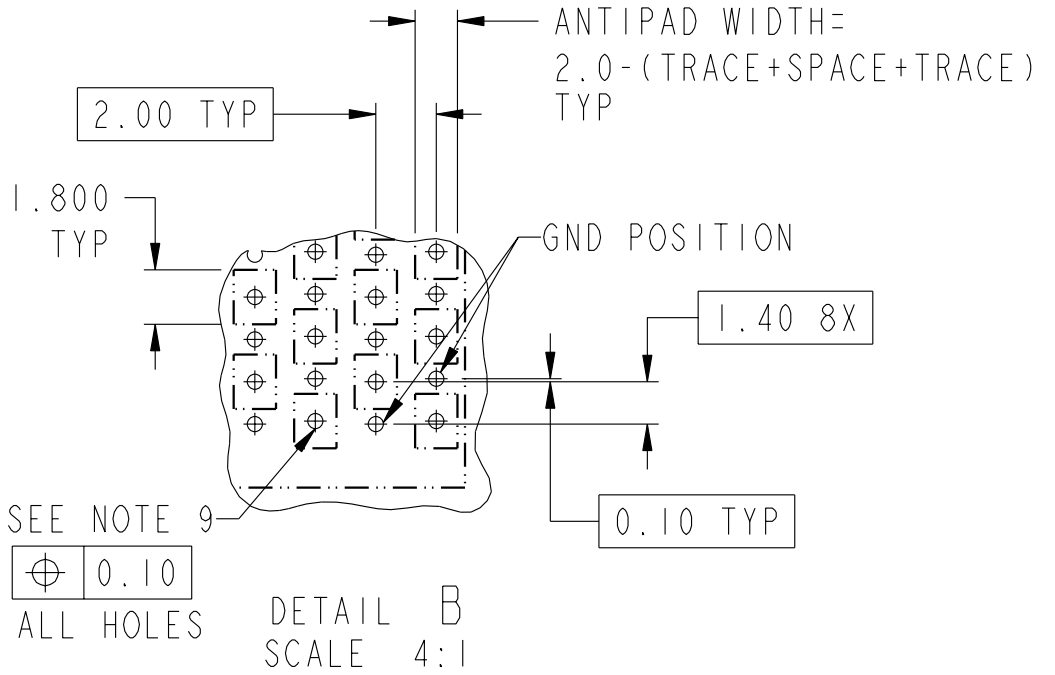
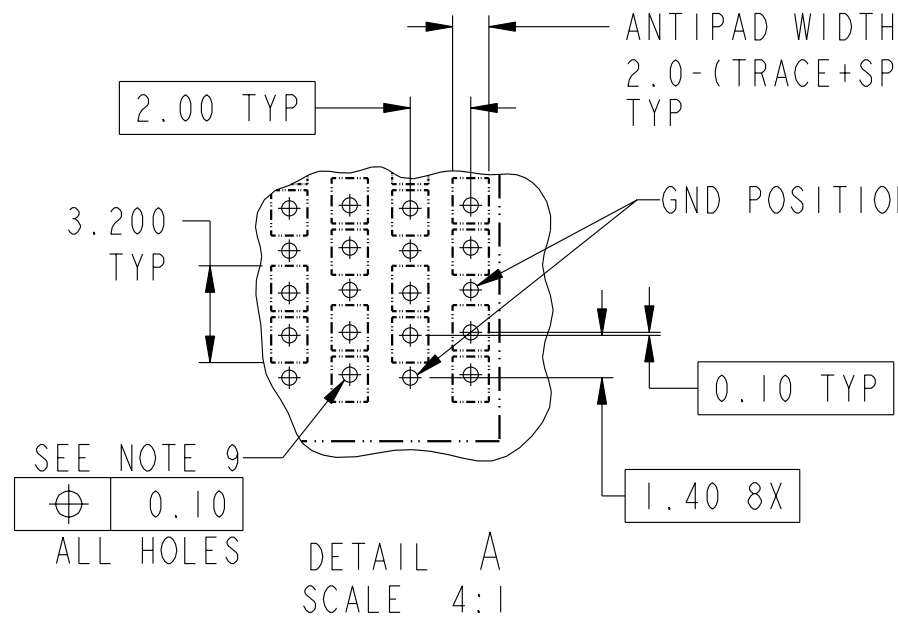
Copyright FCI.

	title AirMax VS VERT RECPT ASSY PRESS-FIT, 90 POS, 20MM	dwg no 10034251	Rev. B
	catalog no -	CUSTOMER	sheet 3 of 5

REV F - 2006-04-17



Copyright FCI.



REV F - 2006-04-17



AirMax VS VERT RECPT ASSY  
PRESS-FIT, 90 POS, 20MM  
catalog no

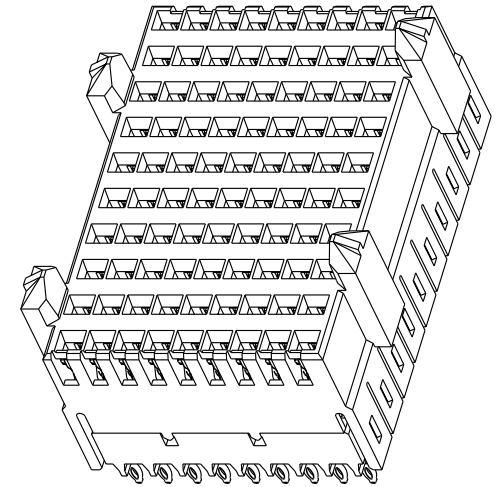
dwg no 10034251  
CUSTOMER

Rev. B  
sheet 4 of 5

PART NUMBER	PRESS-FIT TAIL PLATING TYPE
10034251-101	TIN/LEAD ALLOY OVER NICKEL
10034251-101LF	TIN OVER NICKEL (LEAD FREE)

NOTES:

1. CONNECTOR MATERIALS:  
HOUSING & RETAINER: HIGH TEMP THERMOPLASTIC, NATURAL, UL94V-0  
IMLA PLASTIC: HIGH TEMP THERMOPLASTIC, BLACK, UL94V-0  
CONTACT: COPPER ALLOY
2. CONTACT PLATING:  
SEPARABLE INTERFACE: PERFORMANCE-BASED PLATING, QUALIFIED TO MEET THE REQUIREMENTS OF FCI PRODUCT SPECIFICATION GS-12-239, INCLUDING TELCORDIA GR-1217-CORE (November 1995) CENTRAL OFFICE TEST SEQUENCE.  
  
PRESS-FIT TAILS: SEE TABLE
3. PRODUCT SPECIFICATION: GS-12-239
4. APPLICATION SPECIFICATION: GS-20-035
5. PRODUCT MARKING, (PART NUMBER & LOT CODE), ON THIS SURFACE
6. REFER TO CUSTOMER DRAWING 10035911 FOR INFORMATION REGARDING PCB LAYOUT OF POWER AND GUIDE MODULES RELATIVE TO SIGNAL MODULES
7. POSITIONS F OF ODD NUMBERED COLUMNS AND POSITIONS G OF EVEN NUMBERED COLUMNS CORRESPOND TO EARLY MATE HEADER PINS
8. THERE IS NO GROUND BUSSING WITHIN THE CONNECTOR SYSTEM
9. REFER TO CUSTOMER DRAWING 10045979 FOR INFORMATION ON PCB HOLE DIAMETERS AND PLATING OPTIONS.
10. THIS PRODUCT MEETS EUROPEAN UNION DIRECTIVES AND OTHER COUNTRY REGULATIONS AS DESCRIBED IN GS-22-008.
11. THE HOUSING WILL WITHSTAND EXPOSURE TO 260°C PEAK TEMPERATURE FOR 40 SECONDS IN A CONVECTION, INFRA-RED OR VAPOR PHASE REFLOW OVEN.
12. PACKAGING MEETS GS-14-920 LEAD FREE LABELING SPECIFICATION.



	title AirMax VS VERT RECPT ASSY PRESS-FIT, 90 POS, 20MM	dwg no 10034251	Rev. B
	catalog no -	CUSTOMER	sheet 5 of 5

