

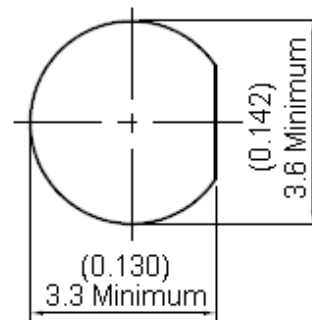
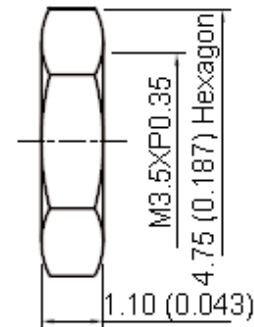
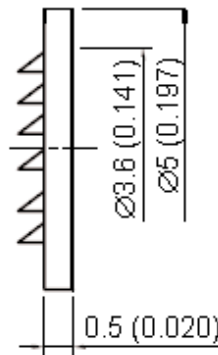
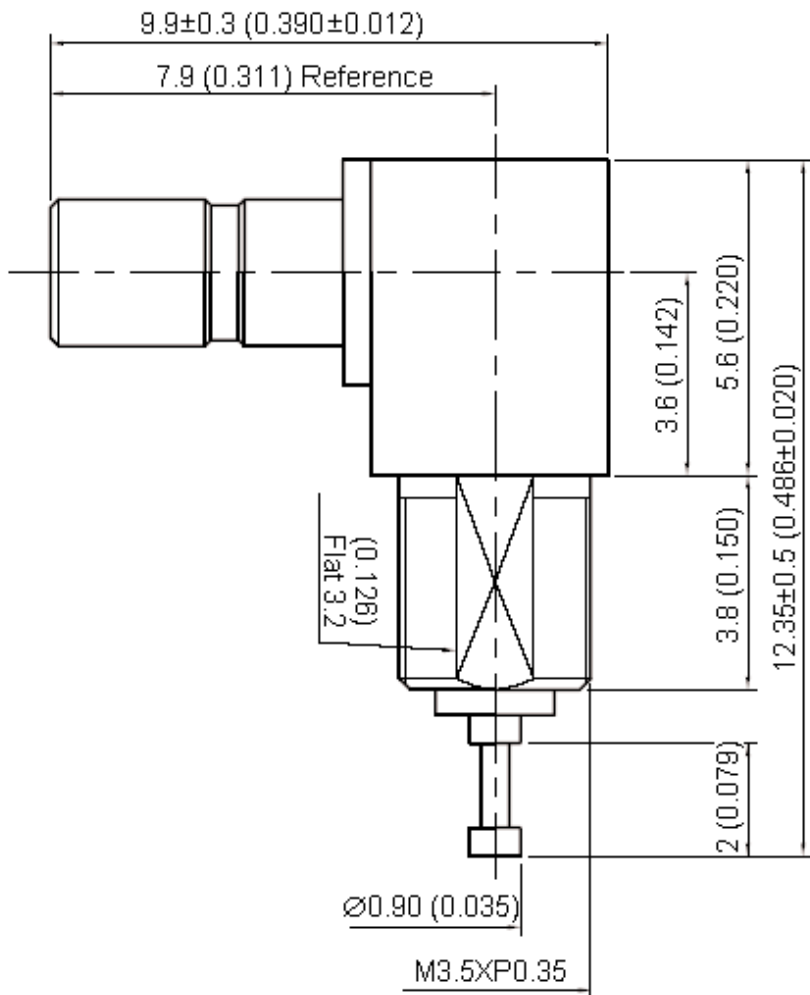


PART NO.

46-17-TGG

REVISIONS

ECN #	REV	DESCRIPTION	DRAWN	DATE	CHECKD	DATE	APPRVD	DATE
-	A	RELEASED	Sumana	01/2/08	Suresh	01/2/08	G. C	15/2/08



Mounting Hole

Dimensions : Millimetres (Inches)

This data sheet and its contents (the "Information") belong to the Premier Farnell Group (the "Group") or are licensed to it. No licence is granted for the use of it other than for information purposes in connection with the products to which it relates. No licence of any intellectual property rights is granted. The Information is subject to change without notice and replaces all data sheets previously supplied. The Information supplied is believed to be accurate but the Group assumes no responsibility for its accuracy or completeness, any error in or omission from it or for any use made of it. Users of this data sheet should check for themselves the Information and the suitability of the products for their purpose and not make any assumptions based on information included or omitted. Liability for loss or damage resulting from any reliance on the Information or use of it (including liability resulting from negligence or where the Group was aware of the possibility of such loss or damage arising) is excluded. This will not operate to limit or restrict the Group's liability for death or personal injury resulting from its negligence. SPC MULTICOMP is the registered trademark of the Group. © Premier Farnell plc 2008.

TOLERANCES:

UNLESS OTHERWISE SPECIFIED, DIMENSIONS ARE FOR REFERENCE PURPOSES ONLY.

DRAWN BY:	DATE:
Sumana	01/02/08
CHECKED BY:	DATE:
Suresh	01/02/08
APPROVED BY:	DATE:
G.Cook	15/02/08

DRAWING TITLE:

Bulkhead Right Angle Jack

SIZE A	DWG NO. M10000693	ELECTRONIC FILE 46-17-TGG_DWG	REV A
SCALE: NTS		U.O.M.: mm (Inches)	SHEET: 1 OF 2



PART NO.

46-17-TGG

REVISIONS

ECN #	REV	DESCRIPTION	DRAWN	DATE	CHECKD	DATE	APPRVD	DATE
-	A	RELEASED	Sumana	01/2/08	Suresh	01/2/08	G. C	15/2/08

Specifications:

Electrical:

Frequency Range : DC-4GHz.
 Nominal Impedance : 50Ohms.
 Maximum Working Voltage : 250V.
 Proof Voltage : 500V.
 Maximum VSWR : 1.3.

Materials:

Bodies : Brass per JIS-C3604.
 Centre Contact : Brass per JIS-C3604.
 Insulation : Teflon per ASTM D1457 and ASTM D1710.

Mechanical:

Interface in accordance with MIL-STD-348A.

Environmental:

Operating Temperature Range : -65°C to +165°C

Specification Table

Number	Description	Material	Finish	Part Number
1	Chassis	Brass	Gold 3μ" Minimum	46-17-TGG
2	Insulation	Teflon	None	
3	Centre Contact	Brass	Gold 30μ" Minimum	
4	Body		Gold 3μ" Minimum	
5	Centre Contact		Gold 30μ" Minimum	
6	Insulation	Teflon	None	
7	Cap	Brass	Gold 3μ" Minimum	
8	Insulation	Teflon	None	
9	Lock Washer	Brass	Gold	
10	Nut			

<http://www.farnell.com>

<http://www.newark.com>

<http://www.cpc.co.uk>

This data sheet and its contents (the "Information") belong to the Premier Farnell Group (the "Group") or are licensed to it. No licence is granted for the use of it other than for information purposes in connection with the products to which it relates. No licence of any intellectual property rights is granted. The Information is subject to change without notice and replaces all data sheets previously supplied. The Information supplied is believed to be accurate but the Group assumes no responsibility for its accuracy or completeness, any error in or omission from it or for any use made of it. Users of this data sheet should check for themselves the Information and the suitability of the products for their purpose and not make any assumptions based on information included or omitted. Liability for loss or damage resulting from any reliance on the Information or use of it (including liability resulting from negligence or where the Group was aware of the possibility of such loss or damage arising) is excluded. This will not operate to limit or restrict the Group's liability for death or personal injury resulting from its negligence. SPC MULTICOMP is the registered trademark of the Group. © Premier Farnell plc 2008.

TOLERANCES:

UNLESS OTHERWISE SPECIFIED, DIMENSIONS ARE FOR REFERENCE PURPOSES ONLY.

DRAWN BY:

Sumana

CHECKED BY:

Suresh

APPROVED BY:

G.Cook

DATE:

01/02/08

DATE:

01/02/08

DATE:

15/02/08

DRAWING TITLE:

Bulkhead Right Angle Jack

SIZE A	DWG NO.	M10000693	ELECTRONIC FILE	REV
			46-17-TGG_DWG	A
SCALE: NTS		U.O.M.: mm (Inches)	SHEET: 2 OF 2	