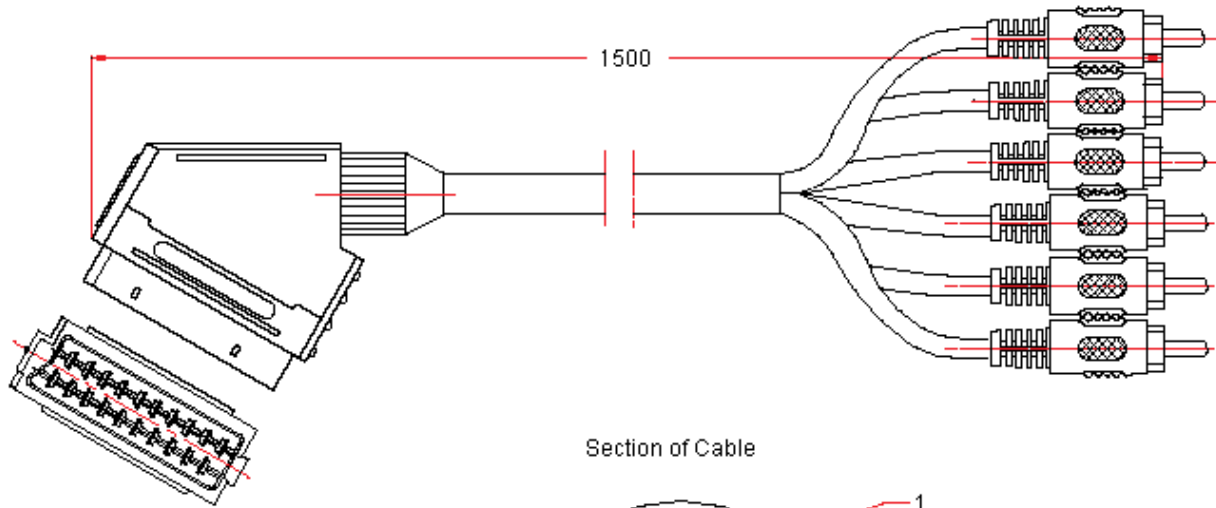


PART NO.

AV13888

REVISIONS

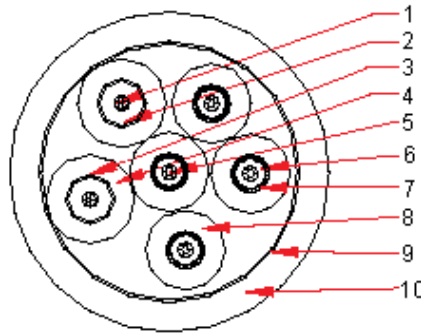
ECN #	REV	DESCRIPTION	DRAWN	DATE	CHECKD	DATE	APPRVD	DATE
-	A	RELEASED	Jagan	06/04/09	Veena	06/04/09	Farnell	20/04/09



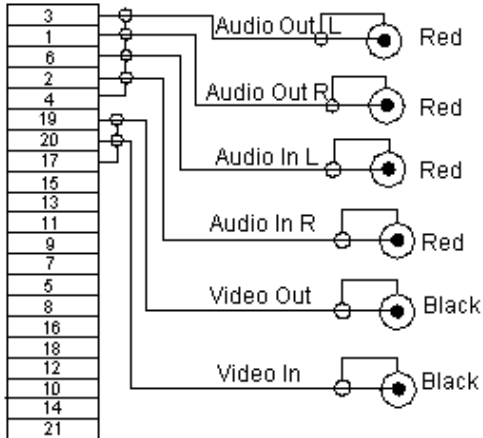
**Presentation of Cable:**

Inner conductor	: 2/(7/0.16) Cu.
Insulation	: 2 x $\phi$ 1.5 LDPE.
Braiding	: 2 x 48/0.12 Cu.
Jacket	: 4 x $\phi$ 1.0 PVC.
Inner conductor	: 4 x 9/0.12 Cu.
Insulation	: 4 x $\phi$ 1.0 PVC.
Spiraling	: 4 x (28/0.12) Cu.
Insulation	: 4 x $\phi$ 2.6 PVC.
Screening (mylar)	: 25/0.025 Al foil.
Outer jacket	: $\phi$ 10.5 PVC.

Section of Cable



Wiring Diagram



Dimensions : Millimetres

This data sheet and its contents (the "Information") belong to the Premier Farnell Group (the "Group") or are licensed to it. No licence is granted for the use of it other than for information purposes in connection with the products to which it relates. No licence of any intellectual property rights is granted. The Information is subject to change without notice and replaces all data sheets previously supplied. The Information supplied is believed to be accurate but the Group assumes no responsibility for its accuracy or completeness, any error in or omission from it or for any use made of it. Users of this data sheet should check for themselves the Information and the suitability of the products for their purpose and not make any assumptions based on information included or omitted. Liability for loss or damage resulting from any reliance on the Information or use of it (including liability resulting from negligence or where the Group was aware of the possibility of such loss or damage arising) is excluded. This will not operate to limit or restrict the Group's liability for death or personal injury resulting from its negligence. SPC pro-SIGNAL is the registered trademark of the Group. © Premier Farnell plc 2009.

**TOLERANCES:**  
UNLESS OTHERWISE SPECIFIED, DIMENSIONS ARE FOR REFERENCE PURPOSES ONLY.

DRAWN BY:	DATE:
Jagan	06/04/09
CHECKED BY:	DATE:
Veena	06/04/09
APPROVED BY:	DATE:
Farnell	20/04/09

DRAWING TITLE:

Scart(p) to 6RCA(p)

SIZE <b>A</b>	DWG NO.	ELECTRONIC FILE 63118_DWG	REV <b>A</b>
SCALE: NTS		U.O.M.: mm	SHEET: 1 OF 2



PART NO.

AV13888

REVISIONS

ECN #	REV	DESCRIPTION	DRAWN	DATE	CHECKD	DATE	APPRVD	DATE
-	A	RELEASED	Jagan	06/04/09	Veena	06/04/09	Farnell	20/04/09

Part Number Table

Description	Part Number
Lead, Scart to 6 x Phono, 1.5M	AV13888

<http://www.farnell.com>

<http://www.newark.com>

<http://www.cpc.co.uk>

This data sheet and its contents (the "Information") belong to the Premier Farnell Group (the "Group") or are licensed to it. No licence is granted for the use of it other than for information purposes in connection with the products to which it relates. No licence of any intellectual property rights is granted. The Information is subject to change without notice and replaces all data sheets previously supplied. The Information supplied is believed to be accurate but the Group assumes no responsibility for its accuracy or completeness, any error in or omission from it or for any use made of it. Users of this data sheet should check for themselves the information and the suitability of the products for their purpose and not make any assumptions based on information included or omitted. Liability for loss or damage resulting from any reliance on the Information or use of it (including liability resulting from negligence or where the Group was aware of the possibility of such loss or damage arising) is excluded. This will not operate to limit or restrict the Group's liability for death or personal injury resulting from its negligence. SPC pro-SIGNAL is the registered trademark of the Group. © Premier Farnell plc 2009.

TOLERANCES:

UNLESS OTHERWISE SPECIFIED, DIMENSIONS ARE FOR REFERENCE PURPOSES ONLY.

DRAWN BY:

Jagan

CHECKED BY:

Veena

APPROVED BY:

Farnell

DATE:

06/04/09

DATE:

06/04/09

DATE:

20/04/09

DRAWING TITLE:

Scart(p) to 6RCA(p)

SIZE  
A DWG NO.

ELECTRONIC FILE  
63118\_DWG

REV  
A

SCALE: NTS

U.O.M.: mm

SHEET: 2 OF 2