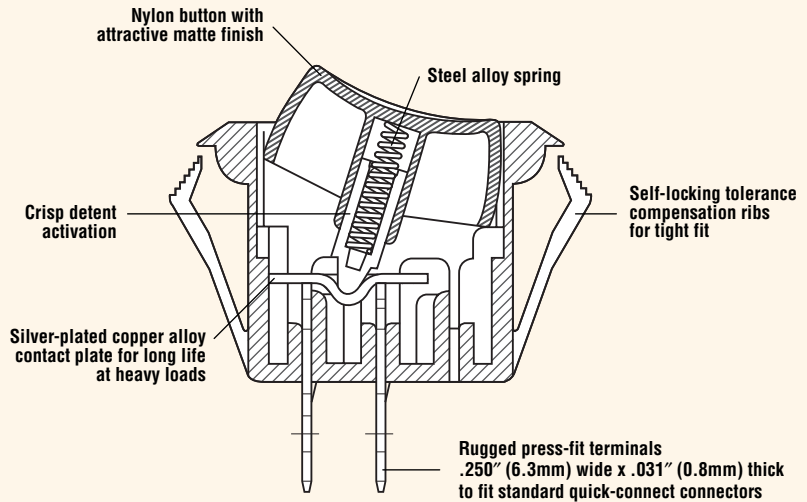


## COMPACT ROCKER SWITCH

# GR Series

### Features

- Economical 15 amp switching
- Lighted and non-lighted versions
- Available in a wide variety of colors
- Single- and double-throw options
- Optional wire leads available
- Mechanical life: min. 50,000 operations



### Electrical Ratings

Switch Series	EN61058 Rating	UL1054 Rating	Electrical Life at Rated Load	
			According to VDE (Min. Operations)	According to UL (Min. Operations)
GR	N/A	15A, 125VAC; 10A, 250VAC	N/A	6,000

### Specifications

#### Electrical

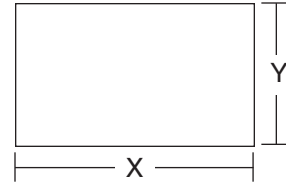
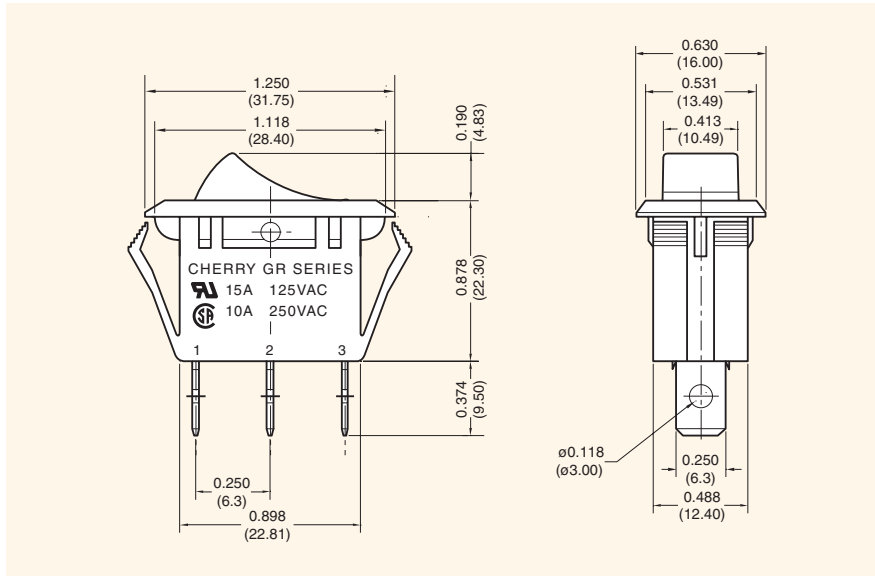
Dielectric Strength:	1000VAC for 1 minute
Insulation Resistance:	10 <sup>8</sup> ohms min at 500VDC
Initial Contact Resistance:	.020 ohms max
Temperature Range:	-20°C to +85°C

#### Materials

Actuator (non-lighted):	Nylon 66 94V-2
Actuator (lighted):	Polycarbonate
Housing:	Nylon 66 94V-2
Base:	Nylon 66 94V-2
Spring:	Steel Wire
Contact Plate:	Copper Alloy
Terminals:	Tin-Plated Copper Alloy



### Dimensions inches (mm)



Z = Panel Thickness

### Recommended Panel Cut-Out Dimensions

inches (mm)

Dim. Z	Dim. X	Dim. Y
0.030 to 0.049 (0.76 to 1.25)	1.120 (28.45)	0.535 (13.59)
0.049 to 0.079 (1.25 to 2.01)	1.130 (28.70)	0.535 (13.59)
0.079 to 0.118 (2.01 to 3.00)	1.150 (29.21)	0.535 (13.59)

### Examples of Common Part Numbers and Descriptions inches (mm)

Part Number	Circuitry	Switch Function	Terminal Type	Actuator/ Housing Color	Legend Marking
GRF22N2BBBNN		On - Off	0.250 (6.3) Quick-Connect	Black/ Black	
GRF22N2FBBNN		On - Off	0.250 (6.3) Quick-Connect	Black/ Black	
GRF23N2BBBNN		On - On	0.250 (6.3) Quick-Connect	Black/ Black	
GRF22N2BBRLN		On - Off/Lighted	0.250 (6.3) Quick-Connect	Red/ Black	

### Ordering Information

Code	Series	Code	Contact Rating	Code	Circuitry	Code	Switch Function	Code	Actuator Type	Code	Actuator Marking	Code	Housing Color	Code	Lighted	Code	Actuator Color	Code	Body Type	
GR	Series	F	15A, 125VAC (UL, CSA) 10A, 250VAC (UL, CSA)	2	Single-Pole	2	On - Off	N	Curve	F	B	B	Black	N	Non-Lighted	N	Black			
						3	On - On				C	L	White	L	Lighted (Bulb 125VAC)		G			
											D	O	Grey	E	Lighted (Bulb 250VAC)		A			
											E	OFF	Brown	G	Lighted 6VDC Incandescent		R			
											F	O		H	Lighted 12VDC Incandescent		Y			
											K	OFF ON					C	Brown		
																	M	Yellow		
																	W	White		
																			N	No Splashproof Rocker Boot