

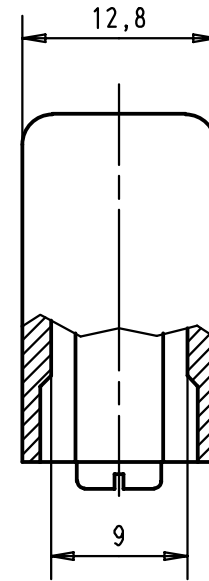
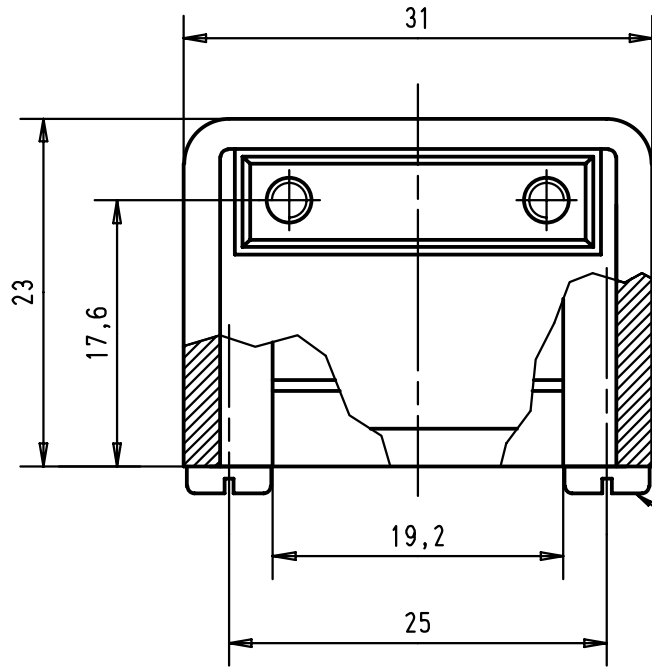
5

4

3

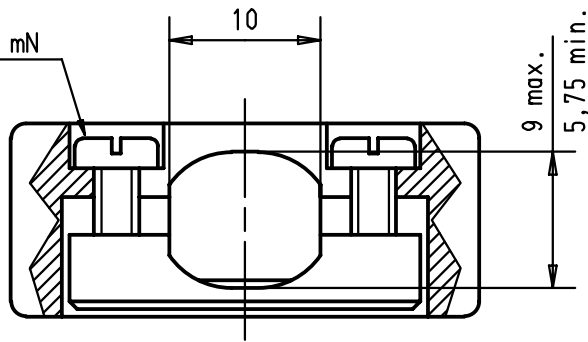
2

1

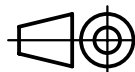



Slotted pan head tapping screws
DIN 7971-ST 2,9x9,5-F
Maximum screwing torque=1 mN

Slotted pan head tapping screws
DIN 7971-ST 2,2x9,5-F
Maximum screwing torque=0,25 mN



A

						Dat.		Name		 All Dim. in mm Orig. Size DIN A 4	D-Sub, Hood 09 poles, for spring or slide locking, top cable entry	Maßstab/ Scale 2:1
						Detail.	28-MAR-02	CV				
						Insp.						
						Stand.						
09 67 009 0413	Thermoplastic metallized					HARTING EURL				TB 0967009041x	Blatt/ Page 1	
09 67 009 0411	Thermoplastic grey RAL 7032	29760	28-MAR-02	CV	F-95972 Paris							
Part number	Material	Mod.	Dat.	Name	Sub.							